

# VDP250SC6M2

---

6-CHANNEL SCANNER – AERON 250 I  
6-KANAALS SCANNER – AERON 250 I  
SCANNER À 6 CANAUX – AERON 250 I  
SCANNER DE 6 CANALES – AERON 250 I  
6-KANAL-SCANNER – AERON 250 I



USER MANUAL  
GEBRUIKERSHANDLEIDING  
NOTICE D'EMPLOI  
MANUAL DEL USUARIO  
BEDIENUNGSANLEITUNG





# VDP250SC6M2 – 6-CHANNEL SCANNER – AERON 250 I

## 1. Introduction & Features

To all residents of the European Union

### Important environmental information about this product



This symbol on the device or the package indicates that disposal of the device after its lifecycle could harm the environment.

Do not dispose of the unit (or batteries) as unsorted municipal waste; it should be taken to a specialized company for recycling.

This device should be returned to your distributor or to a local recycling service.

Respect the local environmental rules.

**If in doubt, contact your local waste disposal authorities.**

Thank you for buying an HQPOWER product! The **VDP250SC6M2** should contain: 1 x 8-channel scanner, 1x IEC-approved power cord and this manual. Please read the manual thoroughly before bringing this device into service. If the device was damaged in transit, don't install or use it and contact your dealer.

### Features:

- 7 different dichroic colours filters + white
- rainbow effect with adjustable speed in both directions
- gobo wheel with 7 rotating gobos + open
- strobe effect with adjustable speed via shutter
- motorised focus
- 3-facet prism with adjustable speed rotating in both directions
- DMX-controlled, stand-alone or master/slave
- sound control via built-in microphone
- control panel with LCD and encoder

## 2. Safety Instructions



Be very careful during the installation: touching live wires can cause life-threatening electroshocks.



Do not touch the device during operation as the housing heats up.



Keep this device away from rain and moisture.



Unplug the mains lead before opening the housing.

- Damage caused by disregard of certain guidelines in this manual is not covered by the warranty and the dealer will not accept responsibility for any ensuing defects or problems.
- A qualified technician should install and service this device.
- Do not switch the device on immediately after it has been exposed to changes in temperature. Protect the device against damage by leaving it switched off until it has reached room temperature.
- This device falls under protection class I. It is therefore essential that the device be earthed. Have a qualified person carry out the electric connection.
- Connect the device to the mains only when installation is complete. Never let the power cord come in contact with other cables.
- Make sure that the available voltage does not exceed the voltage stated in the specifications of this manual.
- Do not crimp the power cord and protect it against damage. Have an authorised dealer replace it if necessary.
- Disconnect the device from the mains to clean it or when it is not in use. Handle the power cord by the plug only.
- Clean a dusty power cord with a dry cloth.

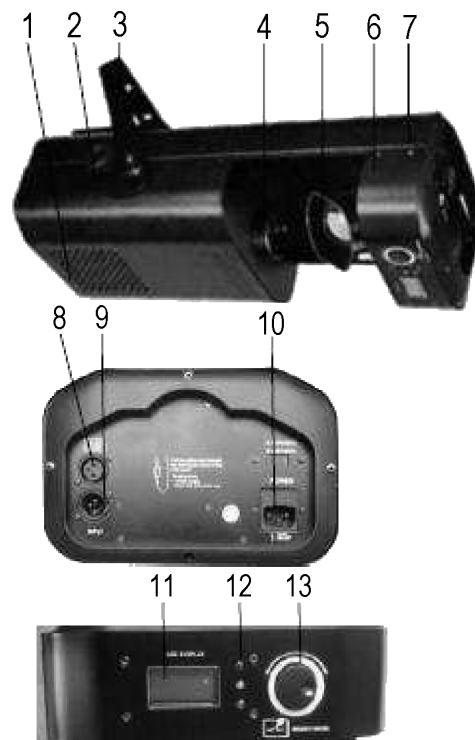
- If extension cords are used make sure the core diameter is sufficient. All warnings concerning the power cord apply to extension cords.
- Make sure no liquid or any object can enter the housing or come in contact with the electric circuit, including the power cord. Failure to do so may lead to malfunction, short-circuits or electroshocks.
- Never leave a powered device unattended.
- There may be some smoke or a particular smell when the device is activated for the first time. This is normal and any smoke or smell will gradually disappear.
- Do not look directly at the light source as sensitive people may go into epileptic seizure if they do.
- Note that damage caused by user modifications to the device is not covered by the warranty.
- Keep the device away from children and unauthorised users.

### 3. General Guidelines

- This device is designed for professional use on stage, in discos, theatres, etc. The **VDP250SC6M2** should only be used indoors and connected to an alternating current of max. 230VAC / 50Hz.
- Lighting effects are not designed for permanent operation: regular operation breaks will prolong their lives.
- Do not shake the device. Avoid brute force when installing or operating the device.
- Select a location where the device is protected against extreme heat (see “**Technical Specifications**”), dust and moisture. Respect a minimum distance of 0.5m between the device’s light output and any illuminated surface.
- Never operate the device where splashing or dripping water, rain, moisture or fog may harm the device. Install the device 0.5m away from a smoke machine output nozzle.
- Do not operate the device during thunderstorms.
- Ensure sufficient ventilation by leaving 0.5m of free space between the device and any other object.
- Use an appropriate safety cable to fix the device (e.g. **VDLSC7** or **VDLSC8**).
- Familiarise yourself with the functions of the device before actually using it. Do not allow operation by unqualified people. Any damage that may occur will most probably be due to unprofessional use of the device.
- Use the original packaging if the device is to be transported.
- All modifications of the device are forbidden for safety reasons. Never remove the barcode.
- Only use the device for its intended purpose. All other uses may lead to short circuits, burns, electroshocks, crash, etc. Using the device in an unauthorised way will void the warranty.
- The installation has to be approved by an expert before the device is taken into service.

### 4. Description

1. ventilation slots
2. fixation screw
3. mounting bracket
4. lens
5. mirror
6. housing
7. housing screw
8. DMX output
9. DMX input
10. power cord connection / fuse holder
11. LCD
12. control LEDs
13. encoder



## 5. Installation

### a) Lamps

- Only fit or replace a lamp when the device is unplugged from the mains.
- Let a lamp cool down before replacing it as the temperature of a lamp can reach 600°C during operation.
- When handling a halogen lamp, do not touch it with your bare hands. Use a cloth to insert or remove it.
- Do not install lamps with a higher wattage than what this device was designed for.
- Replace any deformed or damaged lamp with a lamp of the same type (see “**Technical Specifications**”):
  1. Unscrew the 4 housing screws at the rear. Remove the housing.
  2. Unscrew the knurled screws of the lamp.
  3. Gently remove the old lamp from its holder and insert a new one.
  4. Retighten the knurled screws, replace the housing and tighten.

Remember the lamp is not a hot-restrike type. Please wait for approximately 10 minutes after having switched off the device before turning it back on.

**Remark: Do not use the device when the cover is open.**

### b) Fuse

- Only fit or replace a fuse when the device is unplugged from the mains.
- If the lamp burns out, chances are you will need to replace the fuse as well.
- Replace a blown fuse with a fuse of the same type and rating (see “**Technical Specifications**”):
  1. Remove the fuse holder at the rear using an appropriate screwdriver.
  2. Remove the old fuse and install a new one.
  3. Replace the fuse holder.

### c) Mounting the Device

- Have the device installed by a qualified person, respecting EN 60598-2-17 and all other applicable norms.
- The carrying construction must be able to support 10 times the weight of the device for 1 hour without deforming.
- The installation must always be secured with a secondary attachment e.g. a safety cable.
- Never stand directly below the device when it is being mounted, removed or serviced. Have a qualified technician check the device once a year and once before you bring it into service.
- Install the device in a location with few passers-by that is inaccessible to unauthorised persons.
- Overhead mounting requires extensive experience: calculating workload limits, determining the installation material to be used... Have the material and the device itself checked regularly. Do not attempt to install the device yourself if you lack these qualifications as improper installation may result in injuries.
- Adjust the desired inclination angle via the mounting bracket and tighten the bracket screws.
- Make sure there is no flammable material within a 0.5m radius of the device.
- Have a qualified electrician carry out the electric connection.
- Connect the device to the mains with the power plug. Do not connect it to a dimming pack.
- The installation has to be approved by an expert before the device is taken into service.

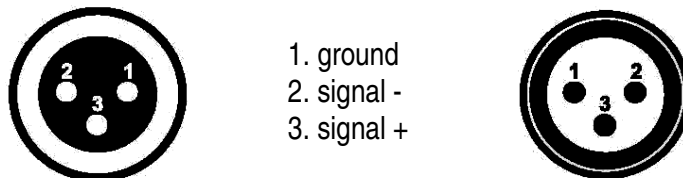
## 6. Operation

**REMARK:** This device features an internal safety switch. This device will not switch on when the lamp is missing, defect or too hot.

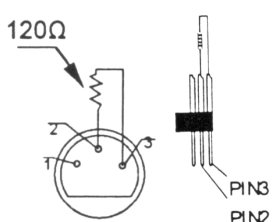
### a. DMX512 Connection

Connect an XLR cable to the female 3-pin XLR output of your controller and the other side to the male 3-pin XLR input of the **VDP250SC6M2**. Multiple **VDP250SC6M2**s can be linked through serial linking. The linking cable should be a two-core screened cable with XLR input and output connectors.

### b. Occupation of the XLR Connection



### c. DMX512 Chain with Termination



A DMX terminator is recommended for installations where the DMX cable has to run a long distance or is in an electrically noisy environment (e.g. discos). The terminator prevents corruption of the digital control signal by electrical noise. The DMX terminator is simply an XLR plug with a 120Ω resistor between pins 2 and 3, which is then plugged into the XLR output socket of the last device in the chain. Please see illustrations.

### d. Control Panel and LCD Menu

Switch the device on and off by connecting it with the mains using the power plug.

- **No DMX signal (2 running modes)**

Sound	Sound-controlled mode. To select this function, disconnect the DMX signal, press the encoder and turn it in an anti-clockwise direction. Press again to confirm.
Auto	Automatic program mode. To select this function, disconnect the DMX signal, press the encoder and turn it in an anti-clockwise direction. Press again to confirm.

- **DMX address**

Addr 001	To set the DMX address, press the encoder and turn it in a clockwise direction to increase the value or in an anti-clockwise direction to decrease the value. Press again to confirm.
-------------	---

- **Pan/tilt reverse**

Reverse tilt Y	Reverse tilt. Press the encoder and turn it in an anti-clockwise direction. Press again to confirm.
Reverse tilt N	Normal tilt. Press the encoder and turn it in a clockwise direction. Press again to confirm.
Reverse pan Y	Reverse pan. Press the encoder and turn it in an anti-clockwise direction. Press again to confirm.
Reverse pan N	Normal pan. Press the encoder and turn it in a clockwise direction. Press again to confirm.

- **Chase speed**

Chase Speed001	To set the chase speed, press the encoder and turn it in a clockwise direction to increase the value (faster) or in an anti-clockwise direction to decrease the value (slower). Press again to confirm.
-------------------	---

- **Control LEDs**

Red	Power ON
Yellow	DMX out (sound/auto mode)
Green	DMX in

**e. Stand-Alone Mode**

In stand-alone mode, your **VDP250SC6M2** can be used without controller. The scanner is equipped with a built-in microphone which allows a sound-controlled operation. Select the “Master mode” to use this function.

**f. Master/Slave Mode**

This operation mode allows all slave devices to operate synchronously with the master device. Connect the DMX out of one device to the DMX in of the next using a cable with XLR jacks. Set the master device to “No DMX sound” or “No DMX auto”. Set the address of all slave devices to 1.

**g. DMX Mode**

All DMX-controlled devices need a digital start address so that the correct device responds to the signals. This start address is the channel number from which the device starts to “listen” to the DMX controller. Enter the correct number and read it from the display located on the base of the **VDP250SC6M2**.

You can use the same starting address for a whole group of devices or enter an individual one for every device. When all devices have the same address, all the **VDP250SC6M2s** will “listen” to the control signal on one particular channel. In other words: changing the settings of one channel will affect all devices simultaneously. If you set different addresses, each device will “listen” to a separate channel number. Changing the settings of one channel will only affect the device in question.

In the case of the 6-channel **VDP250SC6M2**, you will have to set the start address of the first **VDP250SC6M2** to 1, the second **VDP250SC6M2** to 7 (1 + 6), the third to 13 (7 + 6) and so on.

**h. Detailed DMX Values per Channel**

Channel	Function	From	To	Description
1	Shutter, strobe	0	139	Gradual dimmer adjustment from 0 to 100%
		140	199	Strobe from slow to fast
		200	249	Random strobe effect
		249	250	Shutter open
2	Colour wheel	0	15	White
		16	31	Magenta
		32	47	Yellow
		48	63	Orange
		64	79	Green
		80	95	Red
		96	111	Blue
		112	127	Violet
		128	191	Forwards rainbow effect with increasing speed
		192	255	Backwards rainbow effect with increasing speed
3	Rotating gobo wheel	0	15	Open
		16	31	Gobo 1
		32	47	Gobo 2
		48	63	Gobo 3
		64	9	Gobo 4
		80	95	Gobo 5

		96	111	Gobo 6
		112	127	Gobo 7
		128	191	Forwards gobo change with increasing speed
		192	255	Backwards gobo change with increasing speed
4	Gobo rotation	0	15	No rotation
		16	135	Forwards gobo rotation with increasing speed
		136	255	Backwards gobo rotation with increasing speed
5	Pan	-	-	Push slider in order to move the mirror horizontally. Gradual mirror adjustment from one of slider to the other (0-255, 128-center). Mirror can be stopped at any position.
6	Tilt	-	-	Push slider in order to move the mirror vertically. Gradual mirror adjustment from one of slider to the other (0-255, 128-center). Mirror can be stopped at any position.

## 7. Cleaning and Maintenance

1. All screws should be tightened and free of corrosion.
2. The housing, visible parts, mounting supports and the installation location (e.g. ceiling, suspension, trussing) should not be deformed, modified or tampered with e.g. do not drill extra holes in mounting supports, do not change the location of the connections.
3. Moving mechanic parts must not show any signs of wear and tear.
4. The electric power supply cables must not show any damage. Have a qualified technician maintain the device.
5. Disconnect the device from the mains prior to maintenance activities.
6. Wipe the device regularly with a moist, lint-free cloth. Do not use alcohol or solvents.
7. Clean the mirror on a weekly basis; the interior, the cooling fans, the filters and the gobos should be cleaned monthly. Lubricate the gobo wheel twice a year.
8. There are no user-serviceable parts apart from the lamp and the fuse.
9. Contact your dealer for spare parts if necessary.

## 8. Technical Specifications

Power Supply	max. 230VAC / 50Hz
Power Consumption	max. 350W
Lamp	1 x Philips MSD 250W, 6700K (order code <b>LAMP250MSD</b> ), 1 x Philips MSD 250, 8500K (order code <b>LAMP250MSD/2PH</b> ), 1 x Xenpow MSD 250, 8000K (order code <b>LAMP250MSD/2</b> ) or 1 x Sylvania MSD 250, 8500K (order code <b>LAMP250MSD/2SYL</b> ) – lamp not incl.
Fuse	5A, 250VAC (5 x 20mm) (order code <b>FF5N</b> )
Dimensions	535 x 295 x 180mm
Total Weight	14kg
Max. Humidity	50% RH
Operation Temperature	-5°C ~ +45°C
Max. Ambient Temperature	45°C

**For more info concerning this product, please visit our website [www.hqpower.com](http://www.hqpower.com).  
The information in this manual is subject to change without prior notice.**



# VDP250SC6M2 – 6-KANAALS SCANNER – AERON 250 I

## 1. Inleiding en kenmerken

**Aan alle ingezetenen van de Europese Unie**

**Belangrijke milieu-informatie betreffende dit product**



Dit symbool op het toestel of de verpakking geeft aan dat, als het na zijn levenscyclus wordt weggeworpen, dit toestel schade kan toebrengen aan het milieu.

Gooi dit toestel (en eventuele batterijen) niet bij het gewone huishoudelijke afval; het moet bij een gespecialiseerd bedrijf terecht komen voor recyclage.

U moet dit toestel naar uw verdeler of naar een lokaal recyclagepunt brengen.

Respecteer de plaatselijke milieuwetgeving.

**Hebt u vragen, contacteer dan de plaatselijke autoriteiten inzake verwijdering.**

Dank u voor uw aankoop! Lees deze handleiding grondig voor u het toestel in gebruik neemt. Werd het toestel beschadigd tijdens het transport, installeer het dan niet en raadpleeg uw dealer. Inhoud: 1 x 8-kanaals scanner, 1 x IEC-voedingskabel en deze handleiding.

**Eigenschappen:**

- 7 verschillende dichroïsche kleurfilters + wit
- regenboogeffect met instelbare snelheid in beide richtingen
- gobowiel met 7 roterende gobo's + open
- stroboscoop met instelbare snelheid via sluis
- gemotoriseerde focus
- driekantig prisma met instelbare snelheid, roteert in beide richtingen
- DMX-gestuurd, stand-alone of master/slave
- muzieksturing via ingebouwde microfoon
- bedieningspaneel met lcd-scherm en codeur

## 2. Veiligheidsinstructies



Wees voorzichtig bij de installatie: raak geen kabels aan die onder stroom staan om dodelijke elektroshocks te vermijden.



Raak het toestel niet aan wanneer het in gebruik is: de behuizing wordt warm.



Bescherm dit toestel tegen regen en vochtigheid.



Verzeker u ervan dat het toestel niet aangesloten is op een stroombron alvorens het te openen.

- De garantie geldt niet voor schade door het negeren van bepaalde richtlijnen in deze handleiding en uw dealer zal de verantwoordelijkheid afwijzen voor defecten of problemen die hier rechtstreeks verband mee houden.
- Laat dit toestel installeren en onderhouden door een geschoolde technicus.
- Om beschadiging te vermijden, zet u het toestel best niet aan onmiddellijk nadat het werd blootgesteld aan temperatuurschommelingen. Wacht tot het toestel op kamertemperatuur gekomen is.
- Dit toestel valt onder beschermingsklasse I, wat wil zeggen dat het toestel geaard moet zijn. Een geschoolde technicus moet de elektrische aansluiting verzorgen.
- Koppel het toestel aan het lichtnet enkel wanneer u met de installatie klaar bent. Zorg dat de voedingskabel niet met andere kabels in contact komt.
- De beschikbare netspanning mag niet hoger zijn dan de spanning in de specificaties achteraan de handleiding.
- De voedingskabel mag niet omgeplooid of beschadigd zijn. Laat uw dealer zo nodig een nieuwe kabel plaatsen.
- Trek de stekker uit het stopcontact (trek niet aan de kabel!) voordat u het toestel reinigt en als u het niet gebruikt.
- Maak een stoffige voedingsplug schoon met een droge doek.

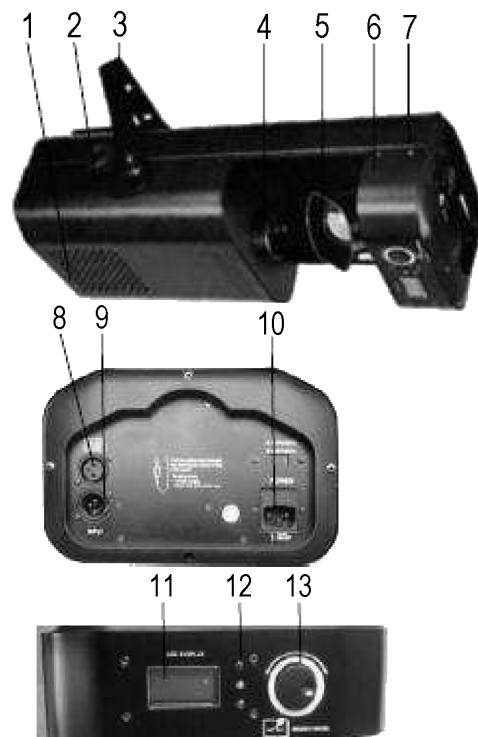
- Gebruik verlengkabels met een aangepaste diameter. Alle veiligheidsinstructies aangaande de voedingskabel gelden ook voor de verlengkabel.
- Houd het toestel uit de buurt van vloeistof. Zorg dat er geen vloeistof of object in contact met het elektrische circuit, inclusief de voedingskabel.
- Laat een ingeschakeld toestel nooit onbeheerd achter.
- Wanneer u het toestel voor het eerst gebruikt, kan dit gepaard gaan met een lichte rookontwikkeling en een bepaalde geur. Dit is normaal en de eventuele rook of geur zal geleidelijk aan verdwijnen.
- Kijk niet rechtstreeks in de lichtbron. De lichtbron kan bij gevoelige mensen leiden tot een aanval van epilepsie.
- Schade door wijzigingen die de gebruiker heeft aangebracht aan het toestel vallen niet onder de garantie.
- Houd dit toestel uit de buurt van kinderen en onbevoegden.

### 3. Algemene richtlijnen

- Dit toestel is ontworpen voor professioneel gebruik op podia, in disco's, enz. U mag dit toestel enkel binnenshuis gebruiken en aansluiten op een wisselspanning van maximum 230VAC / 50Hz.
- Lichteffecten zijn niet ontworpen voor continue werking: regelmatige onderbrekingen doen ze langer meegaan.
- Schud het toestel niet dooreen. Vermijd brute kracht tijdens de installatie en de bediening van dit toestel.
- Installeer het toestel weg van extreme temperaturen (zie "**Technische specificaties**"), vochtigheid en stof. Zorg voor een minimumafstand van 0.5m tussen de lichtuitgang van het toestel en het belichte oppervlak.
- Gebruik het toestel nooit in de buurt van opspattende of druppelende vloeistof, regen, vochtigheid of nevel. Installeer het toestel op een afstand van 0.5m van de uitstoot van een rookmachine.
- Vermijd gebruik van het toestel tijdens onweer.
- Zorg voor voldoende ventilatie en laat een ruimte van 0.5m vrij rond het toestel.
- Maak het toestel vast met een geschikte veiligheidskabel (bvb. **VDLSC7** of **VDLSC8**).
- Leer eerst de functies van het toestel kennen voor u het gaat gebruiken. Ongeschoolde personen mogen dit toestel niet gebruiken. Meestal is beschadiging het gevolg van onprofessioneel gebruik.
- Gebruik de oorspronkelijke verpakking wanneer u het toestel vervoert.
- Om veiligheidsredenen mag de gebruiker geen wijzigingen aanbrengen aan het toestel.
- Gebruik het toestel enkel waarvoor het gemaakt is. Andere toepassingen kunnen leiden tot kortsluitingen, brandwonden, elektrische schokken, enz. Bij onoordeelkundig gebruik vervalt de garantie.
- De installatie moet voor het eerste gebruik gekeurd worden door een expert.

### 4. Omschrijving

1. ventilatiegleuven
2. bevestigingsschroef
3. montagebeugel
4. lens
5. spiegel
6. behuizing
7. schroef behuizing
8. DMX-uitgang
9. DMX-ingang
10. aansluiting voedingskabel / zekeringhouder
11. lcd-scherm
12. leds
13. codeur



## 5. Installatie

### a) Lamp

- Plaats of vervang een lamp enkel wanneer het toestel niet is aangesloten op het lichtnet.
- Laat een lamp afkoelen voor u ze vervangt: de bedrijfstemperatuur van een lamp ligt rond de 600°C.
- Raak een halogeenlamp niet aan met uw blote handen. Gebruik een doek om een halogeenlamp te vervangen.
- Plaats geen lampen met een te hoog wattage. Deze worden warmer dan die waarop dit toestel is voorzien.
- Vervang een vervormde of beschadigde lamp door een lamp van hetzelfde type (zie "**Technische specificaties**"). Ga als volgt te werk:
  1. Maak de 4 schroeven achteraan de behuizing los. Verwijder de behuizing.
  2. Maak de geribde schroeven los die de lamp vasthouden.
  3. Verwijder voorzichtig de lamp uit de fitting en plaats een nieuwe.
  4. Span de geribde schroeven opnieuw aan en sluit de behuizing.

Onthoud dat de lamp geen hot restrike-type lamp is. Wacht gedurende een tiental minuten nadat u het hebt uitgeschakeld vooraleer u het toestel opnieuw inschakelt.

**Opmerking: Stel het toestel niet in werking wanneer het deksel eraf is.**

### b) Zekering

- U mag een zekering enkel plaatsen of vervangen wanneer het toestel niet is aangesloten op het lichtnet.
- Als de lamp springt, is het heel goed mogelijk dat de zekering ook moet worden vervangen.
- Vervang een gesprongen zekering door een zekering van hetzelfde type en met dezelfde specificaties (zie "**Technische specificaties**"). Ga als volgt te werk:
  1. Verwijder de zekeringhouder achteraan het toestel met behulp van een gepaste schroevendraaier.
  2. Verwijder de oude zekering en breng de nieuwe in.
  3. Plaats de zekeringhouder weer in de behuizing.

### c) Het toestel monteren

- Laat een geschoolde technicus dit toestel installeren conform EN 60598-2-17 en andere toepasselijke normen.
- De constructie waaraan het toestel wordt bevestigd, moet gedurende 1 uur 10 x het gewicht van dit toestel kunnen dragen zonder te vervormen.
- Maak het toestel ook vast met een veiligheidskabel.
- Sta nooit recht onder het toestel wanneer u het monteert, verwijdert of schoonveegt. Laat het toestel controleren door een geschoolde technicus voor u het in gebruik neemt en laat het 1 x per jaar volledig nakijken.
- Installeer dit toestel op een plaats waar niemand langs moet lopen, kan neerzitten of het toestel kan aanraken.
- Een degelijke praktijkervaring is vereist voor de plaatsing van dit toestel. U moet de maximumbelasting van de draagconstructie kunnen berekenen, weten welk constructiemateriaal u kunt gebruiken en u moet het gebruikte materiaal en het toestel af en toe laten nakijken. Monteer het toestel niet zelf indien u er geen ervaring mee heeft. Een slechte montage kan leiden tot verwondingen.
- Regel de gewenste invalshoek door middel van de montagebeugel en draai de regelschroeven stevig aan.
- Verwijder alle brandbaar materiaal in een straal van 0.5m rond het toestel.
- Een geschoolde elektricien moet het toestel aansluiten.
- Sluit het toestel via de stekker aan op het lichtnet. Sluit het niet aan op een dimmerpack.
- De installatie moet voor het eerste gebruik gekeurd worden door een expert.

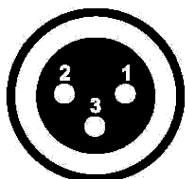
## 6. Gebruik

**OPMERKING:** Dit toestel is uitgerust met een veiligheid. Het toestel kan niet worden ingeschakeld indien de lamp te warm wordt, of defect of verwijderd is.

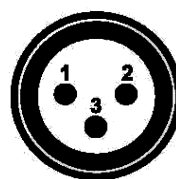
### a. DMX512-aansluiting

Sluit de meegeleverde XLR-kabel aan de vrouwelijke 3-pin XLR-uitgang van de controller en de andere kant van de mannelijke 3-pin XLR-ingang van de **VDP250SC6M2**. U kunt verscheidene **VDP250SC6M2**'s aan elkaar koppelen met behulp van een seriële koppeling. Gebruik daarvoor een 2-aderige afgeschermd kabel met XLR ingang- en uitgangsaansluitingen.

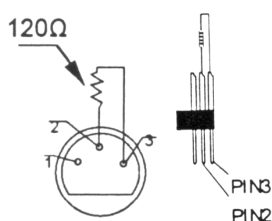
### b. Pinverdeling van de XLR-aansluiting



1. aarding
2. signaal -
3. signaal +



### c. DMX512-keten met terminator



Een DMX terminator is aanbevolen als de DMX-kabel vrij lang is of wordt gebruikt in een omgeving met veel elektrische ruis (bvb. een discotheek). De terminator voorkomt corruptie van het digitale controlesignaal door elektrische ruis. De DMX terminator is niets meer dan een XLR-stekker met een weerstand van  $120\Omega$  van pin 2 naar 3. Deze XLR-stekker wordt dan aangesloten op de XLR-uitgang van het laatste toestel in de reeks. Zie de illustraties links.

### d. Bedieningspaneel en menu

Schakel het toestel in door de voedingskabel aan het lichtnet te koppelen.

#### • Geen DMX-sigitaal (2 gebruiksmodi)

Sound	Muzieksturing: ontkoppel het DMX-sigitaal, druk op de codeur en draai deze tegen de wijzers van een klok in. Druk opnieuw om te bevestigen.
Auto	Automatische ingebouwde programma's: ontkoppel het DMX-sigitaal, druk op de codeur en draai deze tegen de wijzers van een klok in. Druk opnieuw om te bevestigen.

#### • DMX-adres

Addr 001	DMX-adres instellen: druk op de codeur en draai deze tegen de wijzers van een klok in om de waarde te verlagen of met de wijzers van een klok mee om de waarde te verhogen. Druk opnieuw om te bevestigen.
-------------	--

#### • Pan/tilt

Reverse tilt Y	Omgekeerde tilt. Druk op de codeur en draai deze tegen de wijzers van een klok in. Druk opnieuw om te bevestigen.
Reverse tilt N	Normale tilt. Druk op de codeur en draai deze met de wijzers van een klok mee. Druk opnieuw om te bevestigen.
Reverse pan Y	Omgekeerde pan. Druk op de codeur en draai deze tegen de wijzers van een klok in. Druk opnieuw om te bevestigen.
Reverse pan N	Normale pan. Druk op de codeur en draai deze met de wijzers van een klok mee. Druk opnieuw om te bevestigen.

- **Chase-snelheid**

Chase Speed001	Chase-snelheid instellen: druk op de codeur en draai deze tegen de wijzers van een klok in om de waarde te verlagen (trager) of met de wijzers van een klok mee om de waarde te verhogen (sneller). Druk opnieuw om te bevestigen.
----------------	--

- **Leds**

Rood	Power ON
Geel	DMX-uitgang (sound/auto-modus)
Groen	DMX-ingang

**e. Stand-alone**

Hier kunt u uw **VDP250SC8M2** besturen zonder controller. De scanner is uitgerust met een ingebouwde microfoon voor gebruik met muzieksturing. Selecteer "Master mode" om deze functie te gebruiken.

**f. Master/Slave**

Deze functie laat toe alle aangesloten slave-toestellen op synchrone wijze te reageren met het master-toestel. Koppel de DMX-uitgang van het toestel met de DMX-ingang van het volgende toestel met behulp van een kabel met XLR-connectoren. Stel het master-toestel op "No DMX sound" of "No DMX auto". Stel het adres van alle slave-toestellen op 1.

**g. DMX-sturing**

Alle DMX-gestuurde toestellen hebben een digitaal startadres nodig, zodat het juiste toestel reageert op de signalen. Dit digitale startadres is het kanaalnummer van waarop het toestel "luistert" naar het signaal van de DMX controller. Geef het correcte nummer in en lees het af op de display onderaan uw **VDP250SC6M2**.

U kunt één enkel startadres gebruiken voor een groep toestellen of u kunt per toestel een nieuw startadres ingeven. Wanneer u één enkel startadres instelt, zullen alle toestellen "luisteren" naar hetzelfde kanaal. Met andere woorden: wanneer u de instellingen voor 1 kanaal verandert, zullen alle toestellen er tegelijk op reageren.

Wanneer u verschillende adressen instelt, dan luistert elk toestel naar een ander kanaal. Met andere woorden: wanneer u de instellingen van een kanaal verandert, zal enkel het toestel op dat kanaal reageren.

In het geval van de 6-kanaals **VDP250SC6M2**, zult u het startadres van het eerste toestel op 1 moeten instellen, van het tweede toestel op 7 (1 + 6), van het derde op 13 (7 + 6) enz.

**h. Gedetailleerde DMX-waarden per kanaal**

Kanaal	Functie	Van	Tot	Omschrijving
1	Sluiter, stroboscoop	0	139	Progressieve dimfunctie van 0 tot 100%
		140	199	Stroboscoop van traag naar snel
		200	249	Willekeurige stroboscoop
		250	255	Sluiter open
2	Kleurwiel	0	15	Wit
		16	31	Magenta
		32	47	Geel
		48	63	Oranje
		64	79	Groen
		80	95	Rood
		96	111	Blauw
		112	127	Violet
		128	191	Voorwaarts regenboogeffect met toenemende snelheid
		192	255	Achterwaarts regenboogeffect met toenemende snelheid

3	Roterend gobowiel	0	15	Open
		16	31	Gobo 1
		32	47	Gobo 2
		48	63	Gobo 3
		64	9	Gobo 4
		80	95	Gobo 5
		96	111	Gobo 6
		112	127	Gobo 7
		128	191	Voorwaartse goboverandering met toenemende snelheid
		192	255	Achterwaartse goboverandering met toenemende snelheid
4	Goborotatie	0	15	Geen rotatie
		16	135	Voorwaartse gobo met toenemende snelheid
		136	255	Achterwaartse gobo met toenemende snelheid
5	Pan	-	-	Glijd schuifknop om de spiegel horizontaal te verplaatsen. Progressieve spiegelbeweging van een schuifknop tot de andere (0-255, 128-centrum). Spiegel kan op elk moment worden stopgezet.
6	Tilt	-	-	Glijd schuifknop om de spiegel verticaal te verplaatsen. Progressieve spiegelbeweging van een schuifknop tot de andere (0-255, 128-centrum). Spiegel kan op elk moment worden stopgezet.

## 7. Reiniging en onderhoud

1. Alle gebruikte schroeven moeten goed zijn aangespannen en mogen geen sporen van roest vertonen.
2. De behuizing, de lenzen, de montagebeugels en de montageplaats (bvb. het plafond of het gebinte) mogen niet vervormd zijn of aangepast worden (geen extra gaten in montagebeugels, aansluitingen niet verplaatsen etc.)
3. Mechanisch bewegende delen mogen geen sporen van slijtage vertonen en mogen niet onregelmatig bewegen.
4. De voedingskabels mogen niet beschadigd zijn. Laat het toestel onderhouden door een geschoolde technicus.
5. Ontkoppel het toestel van het lichtnet voor u aan onderhoudswerkzaamheden begint.
6. Maak het toestel geregeld schoon met een vochtige, niet pluizende doek. Gebruik geen alcohol of solvent.
7. De gebruiker mag geen onderdelen vervangen uitgenomen de lamp en de zekering.
8. Bestel eventuele reserveonderdelen bij uw dealer.

## 8. Technische specificaties

Voeding	max. 230VAC / 50Hz
Verbruik	max. 350W
Lamp	1 x Philips MSD 250W, 6700K (ordercode <b>LAMP250MSD</b> ), 1 x Philips MSD 250, 8500K (ordercode <b>LAMP250MSD/2PH</b> ), 1 x Xenpow MSD 250, 8000K (ordercode <b>LAMP250MSD/2</b> ) of 1 x Sylvania MSD 250, 8500K (ordercode <b>LAMP250MSD/2SYL</b> ) – lamp niet meegelev.
Zekering	5A, 250VAC (5 x 20mm) (ordercode <b>FF5N</b> )
Afmetingen	535 x 295 x 180mm
Gewicht	14kg
Max. vochtigheid	50% RH
Werktemperatuur	-5°C ~ +45°C
Max. omgevingstemperatuur	45°C

Voor meer informatie omtrent dit product, zie [www.hqpower.com](http://www.hqpower.com).

De informatie in deze handleiding kan te allen tijde worden gewijzigd zonder voorafgaande kennisgeving.

# VDP250SC6M2 – SCANNER À 6 CANAUX – AERON 250 I

## 1. Introduction et caractéristiques

### Aux résidents de l'Union européenne

#### Des informations environnementales importantes concernant ce produit



Ce symbole sur l'appareil ou l'emballage indique que l'élimination d'un appareil en fin de vie peut polluer l'environnement.

Ne pas jeter un appareil électrique ou électronique (et des piles éventuelles) parmi les déchets municipaux non sujets au tri sélectif ; une déchèterie traitera l'appareil en question.

Renvoyer les équipements usagés à votre fournisseur ou à un service de recyclage local.

Il convient de respecter la réglementation locale relative à la protection de l'environnement.

**En cas de questions, contacter les autorités locales pour élimination.**

Nous vous remercions de votre achat ! Lire la présente notice attentivement avant la mise en service de l'appareil. Si l'appareil a été endommagé pendant le transport, ne pas l'installer et consulter votre revendeur. Contenu : 1 x scanner à 8 canaux, 1 x cordon d'alimentation CEI et cette notice.

#### Caractéristiques :

- 7 filtres couleur dichroïques différents + blanc
- effet arc-en-ciel à vitesse réglable dans les deux directions
- roue gobo avec 7 gobos rotatifs + ouvert
- effet stroboscope à vitesse réglable via l'obturateur
- focalisation motorisée
- prisme à 3 facettes à vitesse réglable, rotation dans les deux directions
- pilotage DMX, pose libre ou maître/esclave
- pilotage par la musique via le microphone intégré
- panneau de contrôle avec afficheur à cristaux liquides et encodeur

## 2. Prescriptions de sécurité



Être prudent lors de l'installation : toucher un câble sous tension peut causer des électrochocs mortels.



Ne pas toucher l'appareil lorsqu'il est en service : le boîtier chauffe !



Protéger l'appareil contre la pluie et l'humidité.



Débrancher le câble d'alimentation avant d'ouvrir le boîtier.

- La garantie ne s'applique pas aux dommages survenus en négligeant certaines directives de cette notice et votre revendeur déclinera toute responsabilité pour les problèmes et les défauts qui en résultent.
- Confier l'installation et l'entretien à un personnel qualifié.
- Ne pas brancher l'appareil après exposition à des variations de température. Afin d'éviter des dommages, attendre jusqu'à ce que l'appareil ait atteint la température ambiante avant de l'utiliser.
- Cet appareil ressort à la classe de protection I, ce qui implique que l'appareil doit être mis à la terre. Un technicien qualifié doit établir la connexion électrique.
- Ne raccorder l'appareil au réseau électrique qu'après l'installation complète. Éviter que le cordon d'alimentation ne vienne en contact avec d'autres câbles.
- La tension réseau ne peut pas dépasser la tension mentionnée dans les spécifications à la fin de cette notice.
- Le câble d'alimentation ne peut pas être replissé ou endommagé. Demander à votre revendeur de renouveler le câble d'alimentation si nécessaire.
- Débrancher l'appareil s'il n'est pas utilisé ou pour le nettoyer. Tirer la fiche pour débrancher l'appareil ; non pas le câble.

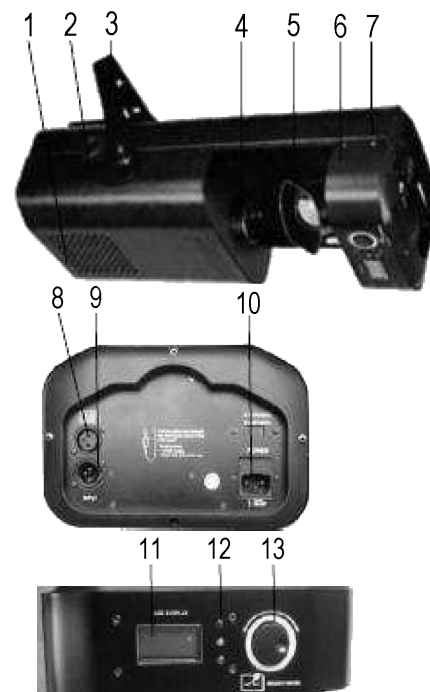
- Nettoyer un cordon d'alimentation poussiéreux à l'aide d'un chiffon sec.
- Lors de l'utilisation d'une rallonge, veiller à ce que celle-ci ait un diamètre suffisant. Toutes les prescriptions de sécurité concernant le cordon d'alimentation s'appliquent également sur la rallonge.
- Afin d'éviter tout risque de fonctionnement non-conforme, de court-circuit ou d'électrochoc, veiller à ce qu'aucun liquide ni objet ne puisse s'introduire dans le boîtier, ou venir en contact avec le circuit électrique ou le cordon d'alimentation.
- Ne jamais laisser un appareil en service sans supervision.
- La première mise en service peut s'accompagner d'un peu de fumée ou d'une odeur particulière. C'est normal. Toute fumée ou odeur disparaîtra graduellement.
- Ne pas regarder directement la source lumineuse comme ceci peut entraîner des crises d'épilepsie chez certains gens.
- Les dommages occasionnés par des modifications à l'appareil par le client, ne tombent pas sous la garantie.
- Garder votre **VDP250SC6M2** hors de la portée de personnes non qualifiées et de jeunes enfants.

### 3. Directives générales

- Cet appareil a été développé pour usage professionnel dans des discothèques, des théâtres, etc. Employer cet appareil à l'intérieur et le connecter à une source de courant CA de max. 230VCA / 50Hz.
- Un effet lumineux n'est pas conçu pour une opération continue. Des pauses régulières prolongeront sa vie.
- Éviter de secouer l'appareil et traiter l'appareil avec circonspection pendant l'installation et l'opération.
- Choisir un endroit où l'appareil est protégé contre la poussière, l'humidité et des températures extrêmes (voir « **Spécifications techniques** »). Respecter une distance minimum de 0.5m entre la sortie lumière de l'appareil et la surface illuminée.
- Ne jamais utiliser l'appareil en proximité de gouttes ou d'éclaboussures de liquides, pluie, humidité ou brume. Installer l'appareil à une distance minimale de 0.5m d'un embout de machine à fumée.
- Éviter d'utiliser l'appareil lors d'un orage.
- Assurer une ventilation suffisante en créant un espace de 0.5m entre l'appareil et tout autre objet.
- Fixer l'appareil à l'aide d'un câble de sécurité adéquat (p.ex. **VDLSC7** ou **VDLSC8**).
- Se familiariser avec le fonctionnement de l'appareil avant de l'utiliser. Ne pas permettre pas aux personnes non qualifiées d'opérer cet appareil. La plupart des dégâts sont causés par un usage non professionnel.
- Transporter l'appareil dans son emballage original.
- Toute modification de l'appareil est interdite pour des raisons de sécurité.
- N'utiliser votre **VDP250SC6M2** qu'à sa fonction prévue. Tout autre usage peut causer des courts-circuits, des brûlures, des électrochocs etc. Un usage impropre annule d'office la garantie.
- L'installation doit être approuvée par un expert avant sa mise en service

### 4. Description

1. grille de ventilation
2. vis de fixation
3. support de montage
4. objectif
5. miroir
6. boîtier
7. vis du boîtier
8. sortie DMX
9. entrée DMX
10. prise du cordon d'alimentation / porte-fusible
11. afficheur à cristaux liquides
12. LED de commande
13. codeur





## 5. Installation

### a) Ampoule

- Déconnecter l'appareil du réseau électrique avant d'installer ou de remplacer une lampe.
- Laisser refroidir une lampe avant de la remplacer ; elle peut atteindre une température de 600°C.
- Éviter de toucher une lampe halogène les mains nues. Remplace l'ampoule à l'aide d'un chiffon.
- N'installer aucune lampe dont la puissance dépasse la puissance maximum comme ces ampoules deviennent plus chaudes que la température maximale prévue.
- Remplacer toute lampe déformée ou endommagée par une lampe du même type (voir « **Spécifications techniques** ») :
  1. Desserrer le 4 vis du boîtier à l'arrière de l'appareil. Retirer le boîtier.
  2. Desserrer les vis crantées fixant l'ampoule.
  3. Retirer doucement l'ampoule hors de la douille et y insérer une nouvelle.
  4. Resserrer les vis crantées et refermer le boîtier.

Remarque : L'ampoule n'est pas du type « réamorçage à chaud ». Patienter une dizaine de minutes avant de rallumer l'appareil après son extinction.

**Remarque : Il est interdit d'opérer l'appareil quand le couvercle est ouvert.**

### b) Fusible

- Débrancher l'appareil du réseau électrique avant de remplacer un fusible.
- Si la lampe est grillée, le fusible doit probablement également être remplacé.
- Remplacer un fusible sauté par un exemplaire identique (voir « **Spécifications techniques** ») :
  1. Dévisser le porte-fusible situé à l'arrière de l'appareil à l'aide d'un tournevis approprié.
  2. Retirer l'ancien fusible et remplacez-le.
  3. Replacer le porte-fusible dans l'appareil.

### c) Montage de l'appareil

- Un technicien qualifié doit installer l'appareil en respectant EN 60598-2-17 et toute autre norme applicable.
- La construction portante de l'appareil doit être capable de supporter 10 x le poids de l'appareil pendant une heure, sans qu'une déformation de la construction en résulte.
- Fixer votre **VDP250SC6M2** à l'aide d'un câble de sécurité (sécurité supplémentaire).
- Éviter de vous positionner en dessous de l'appareil pour l'enlever ou lors du montage ou du nettoyage. Un technicien qualifié doit réviser l'appareil avant la mise en service. Organiser une révision minutieuse annuelle.
- Installer l'appareil à un endroit où personne ne peut passer ou s'asseoir et où personne ne peut le toucher.
- L'installation de cet appareil exige une solide expérience pratique : le calcul de la charge max. de la construction, les matériaux d'installation requis etc. De temps en temps, un technicien qualifié doit vérifier la construction portante et l'appareil même. Ne pas essayer d'installer cet appareil vous-même si vous n'avez pas les qualifications requises ; une installation incorrecte peut entraîner des blessures.
- Déterminer l'angle d'inclinaison au moyen de l'étrier de montage et serrez les vis de montage.
- Enlever tout matériau inflammable dans un rayon de 0.5m autour de l'appareil.
- Un électricien qualifié doit établir la connexion électrique.
- Brancher l'appareil sur le réseau électrique par la fiche d'alimentation. Ne pas le brancher sur un bloc de puissance.
- Un expert doit approuver l'installation avant qu'elle puisse être prise en service.

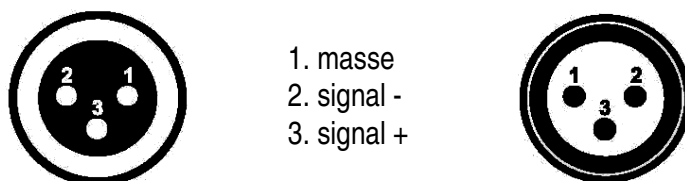
## 6. Emploi

**REMARQUE** : Cet appareil intègre un dispositif de protection. Il sera impossible d'allumer l'appareil lorsqu'il n'est pas équipé d'une ampoule, ou lorsque l'ampoule est défectueuse ou trop chaude.

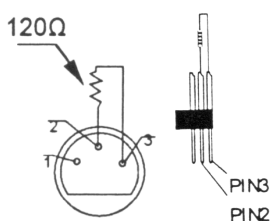
### a. Connexion DMX512

Connecter le câble à fiche XLR inclus à la sortie XLR femelle à 3 broches de votre contrôleur et l'autre fiche XLR mâle à 3 broches à l'entrée du **VDP250SC6M2**. Il est possible de relier plusieurs **VDP250SC6M2** à partir d'une connexion sérielle. Utiliser un câble de connexion blindé à 2 conducteurs avec des connecteurs d'entrée et de sortie XLR.

### b. Disposition des broches dans une connexion XLR



### c. Connexion DMX512 avec terminaison



Une terminaison DMX est à recommander si le câble DMX doit couvrir une grande distance ou s'il est utilisé dans un environnement avec beaucoup de bruit électrique (p.ex. une discothèque). La terminaison prévient la corruption du signal de contrôle numérique par le bruit électrique. La terminaison DMX n'est rien d'autre qu'une fiche XLR avec une résistance de 120Ω de broche 2 vers broche 3 (voir illustration à gauche). Cette fiche XLR est connectée à la sortie XLR du dernier appareil de la série.

### d. Panneau de commande et menu

Enclencher l'appareil en le raccordant au réseau électrique à l'aide du cordon d'alimentation.

#### • Pas de signal DMX (2 modes d'utilisation)

Sound	Pilotage par la musique : déconnecter le signal DMX, enfoncez le codeur et le tournez vers la gauche. Renfoncer pour confirmer.
Auto	Programmes intégrés : déconnecter le signal DMX, enfoncez le codeur et le tournez vers la gauche. Renfoncer pour confirmer.

#### • Adresse DMX

Addr 001	Enfoncer le codeur et le tourner vers la droite pour augmenter la valeur ou vers la gauche pour diminuer la valeur. Renfoncer pour confirmer.
-------------	---

#### • Mouvements pan/tilt

Reverse tilt Y	Tilt inversé : enfoncez le codeur et le tournez vers la gauche. Renfoncer pour confirmer.
Reverse tilt N	Tilt normal : enfoncez le codeur et le tournez vers la droite. Renfoncer pour confirmer.
Reverse pan Y	Pan inversé : enfoncez le codeur et le tournez vers la gauche. Renfoncer pour confirmer.
Reverse pan N	Pan normal : enfoncez le codeur et le tournez vers la droite. Renfoncer pour confirmer.

- **Vitesse de la chenille**

Chase Speed001	Enfoncer le codeur et le tourner vers la droite pour augmenter la vitesse ou vers la gauche pour diminuer la vitesse. Renfoncer pour confirmer.
-------------------	---

- **LED de commande**

Rouge	Appareil enclenché
Jaune	Sortie DMX (modes « sound/auto »)
Vert	Entrée DMX

**e. Mode pose libre**

Ici, il est possible d'utiliser votre **VDP250SC6M2** sans l'aide d'une console de régie. Le scanner est équipé d'un microphone intégré permettant une utilisation pilotée par la musique. Sélectionner « Master mode ».

**f. Mode maître/esclave**

Ce mode permet aux appareils esclave d'opérer simultanément avec l'appareil maître. Raccorder la sortie DMX d'un appareil à l'entrée DMX de l'appareil suivant à l'aide d'un câble à fiches XLR. Sélectionner « No DMX sound » ou « No DMX auto » sur l'appareil maître. Placer l'adresse de tous les appareils esclave sur 1.

**g. DMX Mode**

Tous les appareils pilotés par un signal DMX demandent une adresse de départ DMX pour assurer que les appareils corrects réagissent sur les signaux de contrôle. Cette adresse de départ numérique indique le numéro de canal sur lequel l'appareil écoute le contrôleur DMX. Déterminez cette adresse avec les interrupteurs DIP au dos de l'appareil. Vous avez le choix entre une seule adresse de départ pour toute une série d'appareils ou une adresse de départ par appareil. Dans le cas d'une seule adresse, tous les appareils « écouteront » les mêmes signaux, sur un seul canal. Tous les appareils seront donc influencés lorsque vous changez les réglages d'un seul canal. Avec des adresses de départ individuelles, chaque appareil « écouterà » son propre canal. Par conséquent, un ajustement des réglages d'un canal n'influence que l'appareil sur ce canal.

Pour le **VDP250SC6M2** à 6 canaux, l'adresse de départ du premier appareil est 1, du deuxième 7 (1 + 6), du troisième 13 (7 + 6), etc.

**h. Valeurs DMX détaillées par canal**

Canal	Fonction	De	À	Description
1	Obturbateur, stroboscope	0	139	Gradateur progressif de 0 à 100%
		140	199	Stroboscope de lent à rapide
		200	249	Stroboscope arbitraire
		250	255	Obturbateur ouvert
2	Roue couleurs	0	15	Blanc
		16	31	Magenta
		32	47	Jaune
		45	63	Orange
		64	79	Vert
		80	95	Rouge
		96	111	Bleu
		112	127	Violet
		128	191	Effet arc-en-ciel en avant avec augmentation de la vitesse
		192	255	Effet arc-en-ciel en arrière avec augmentation de la vitesse

3	Roue gobo rotative	0	15	Ouvert
		16	31	Gobo 1
		32	47	Gobo 2
		48	63	Gobo 3
		64	9	Gobo 4
		80	95	Gobo 5
		96	111	Gobo 6
		112	127	Gobo 7
		128	191	Changement de gobo en avant avec augmentation de la vitesse
		192	255	Changement de gobo en arrière avec augmentation de la vitesse
4	Rotation gobo	0	15	No rotation
		16	135	Rotation en avant avec augmentation de la vitesse
		136	255	Rotation en arrière avec augmentation de la vitesse
5	Pan	-	-	Pousser la glissière pour actionner le miroir sur un axe horizontal. Ajustement progressif du miroir d'une glissière à l'autre (0-255, 128-centre). Le miroir peut être stabilisé à tout moment.
6	Tilt	-	-	Pousser la glissière pour actionner le miroir sur un axe vertical. Ajustement progressif du miroir d'une glissière à l'autre (0-255, 128-centre). Le miroir peut être stabilisé à tout moment.

## 7. Nettoyage et entretien

1. Serrer les écrous et les vis et vérifier qu'ils ne rouillent pas.
2. Le boîtier, les lentilles, les supports de montage et la construction portante ne peuvent pas être déformés, adaptés ou bricolés p.ex. pas de trous additionnels dans un support, ne pas déplacer les connexions etc.
3. Les parties mécaniques mobiles ne peuvent pas être usées ou bouger de manière irrégulière.
4. Les câbles d'alimentation ne peuvent pas être endommagés. Un technicien qualifié doit entretenir l'appareil.
5. Débrancher l'appareil avant de le nettoyer.
6. Essuyer l'appareil régulièrement avec un chiffon humide non pelucheux. Éviter l'usage d'alcool et de solvants.
7. Il n'y a aucune pièce maintenable par l'utilisateur sauf l'ampoule et le fusible.
8. Commander des pièces de rechange éventuelles chez votre revendeur.

## 8. Spécifications techniques

Alimentation	max. 230VCA / 50Hz
Consommation	max. 350W
Ampoule	1 x Philips MSD 250W, 6700K (référence <b>LAMP250MSD</b> ), 1 x Philips MSD 250, 8500K (référence <b>LAMP250MSD/2PH</b> ), 1 x Xenpow MSD 250, 8000K (référence <b>LAMP250MSD/2</b> ) or 1 x Sylvania MSD 250, 8500K (référence <b>LAMP250MSD/2SYL</b> ) – ampoule non incl.
Fusible	5A, 250VCA (5 x 20mm) (référence <b>FF5N</b> )
Dimensions	535 x 295 x 180mm
Poids	14kg
Taux d'humidité max.	50% RH
Température de service	-5°C ~ +45°C
Température ambiante max.	45°C

**Pour plus d'information concernant cet article, visitez notre site web [www.hqpower.com](http://www.hqpower.com).**

**Toutes les informations présentées dans cette notice peuvent être modifiées sans notification préalable.**

# VDP250SC6M2 – SCANNER DE 6 CANALES - AERON 250 I

## 1. Introducción & Características

### A los ciudadanos de la Unión Europea

#### Importantes informaciones sobre el medio ambiente concerniente este producto



Este símbolo en este aparato o el embalaje indica que, si tira las muestras inservibles, podrían dañar el medio ambiente.

No tire este aparato (ni las pilas eventuales) en la basura doméstica; debe ir a una empresa especializada en reciclaje. Devuelva este aparato a su distribuidor o a la unidad de reciclaje local.

Respete las leyes locales en relación con el medio ambiente.

**Si tiene dudas, contacte con las autoridades locales para residuos.**

¡Gracias por haber comprado el **VDP250SC6M2**! Lea cuidadosamente las instrucciones del manual antes de usarlo. Si el aparato ha sufrido algún daño en el transporte no lo instale y póngase en contacto con su distribuidor. Incluye: 1 x scanner de 8 canales, 1 x cable de alimentación CEI y este manual del usuario.

#### Características:

- 7 diferentes filtros de color dicróicos + blanco
- efecto arco iris con velocidad ajustable en ambas direcciones
- disco de gobos con 7 gobos giratorios + abierto
- efecto estroboscopia con velocidad ajustable por el shutter
- foco motorizado
- prisma de 3 facetas con velocidad ajustable, rotación en ambas direcciones
- modo DMX, modo autónomo (stand-alone) o modo maestro-esclavo
- controlado por la música por el micrófono incorporado
- unidad de control con pantalla LCD y encoder

## 2. Instrucciones de seguridad



Cuidado durante la instalación: puede sufrir una peligrosa descarga eléctrica al tocar los cables con un voltaje peligroso.



¡No toque el aparato durante su operación: la caja se calienta!



No exponga este equipo a lluvia o humedad.



Desconecte el cable de alimentación de la red antes de abrir la caja.

- Daños causados por descuido de las instrucciones de seguridad de este manual invalidarán su garantía y su distribuidor no será responsable de ningún daño u otros problemas resultantes.
- La instalación y el mantenimiento deben ser realizados por personal especializado.
- No conecte el aparato si ha estado expuesto a grandes cambios de temperatura. Espere hasta que el aparato llegue a la temperatura ambiente.
- Este aparato pertenece a la clase de protección I, Por lo tanto, es esencial que el aparato esté puesto a tierra. La conexión eléctrica debe llevarla a cabo un técnico cualificado.
- Conecte el aparato sólo a la red eléctrica después de la instalación completa. Asegúrese de que el cable de alimentación no entre en contacto con otros cables.
- Asegúrese de que la tensión de red no sea mayor que la tensión indicada en las especificaciones.
- No aplaste el cable de alimentación y protéjalo contra posibles daños causados por algún tipo de superficie afilada. Si es necesario, pida a su distribuidor reemplazar el cable de alimentación.
- Desconecte siempre el aparato si no va a usarlo durante un largo período de tiempo o antes de limpiarlo. Tire siempre del enchufe para desconectar el cable de red, nunca del propio cable.

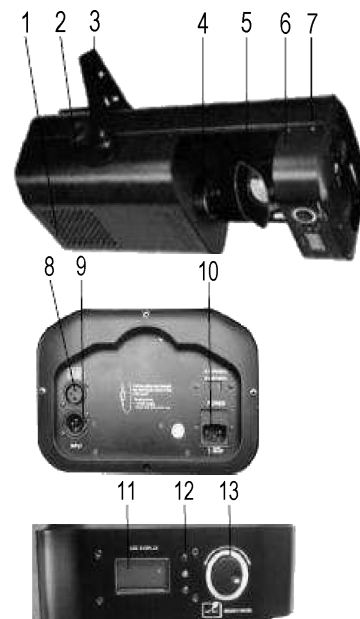
- Limpie un cable de alimentación polvoriento con un paño seco.
- Al utilizar un cable prolongador, asegúrese de tenga un diámetro suficiente. Todas las instrucciones de seguridad para el cable de alimentación valen también para el cable prolongador.
- Para evitar cualquier riesgo de funcionamiento no conforme, cortocircuitos o descargas eléctricas, asegúrese de que ningún líquido ni objeto no pueda introducirse en la caja ni entrar en contacto con el circuito eléctrico o el cable de alimentación.
- Nunca deje activado el aparato sin vigilancia.
- Puede producirse humo u olor durante la primera puesta en marcha. Es normal y el humo o el olor desaparecerá poco a poco.
- No mire directamente a la fuente de luz. Esto puede causar un ataque epiléptico.
- Los daños causados por modificaciones no autorizadas, no están cubiertos por la garantía.
- Mantenga el **VDP250SC6M2** lejos del alcance de personas no capacitadas y niños.

### 3. Normas generales

- Este aparato ha sido diseñado para uso profesional en una discoteca, un teatro, etc. Sólo está permitido para el uso en interiores y conéctelo a una fuente de corriente CA de máx. 230VCA / 50Hz.
- Este aparato no ha sido diseñado para un uso ininterrumpido. Introduzca frecuentemente una pausa para prolongar la vida de su aparato.
- No agite el aparato. Evite usar excesiva fuerza durante la instalación y la reparación.
- Seleccione un lugar de montaje donde el aparato no esté expuesto a polvo, humedad y temperaturas extremas (véase “Especificaciones”). Respete una distancia de mín. 0.5m entre la salida de luz y el área iluminada.
- No exponga el aparato a ningún tipo de salpicadura o goteo, lluvia, humedad o niebla. Instale el aparato en una distancia de mín. 0.5m de la salida de una máquina de humo.
- No utiliza el aparato durante una tormenta.
- Asegúrese de que haya suficiente ventilación y deje un espacio de 0.5m entre el aparato y cualquier otro objeto.
- Fije el aparato con un cable de seguridad (p.ej. **VDLSC7** o **VDLSC8**).
- Familiarícese con el funcionamiento del aparato. Sólo personas cualificadas pueden manejar este aparato. La mayoría de los daños son causados por un uso inadecuado.
- Transporte el aparato en su embalaje original.
- Por razones de seguridad, las modificaciones no autorizadas del aparato están prohibidas.
- Utilice sólo el **VDP250SC6M2** para aplicaciones descritas en este manual a fin de evitar p.ej. cortocircuitos, quemaduras, descargas eléctricas, etc. Un uso desautorizado puede causar daños y anula la garantía completamente.
- Un experto debe probar la instalación antes de la puesta en marcha.

### 4. Descripción

1. rejilla de ventilación
2. tornillos de fijación
3. soporte de montaje
4. óptica
5. espejo
6. caja
7. tornillo de la caja
8. salida DMX
9. entrada DMX
10. conexión del cable de alimentación / portafusibles
11. pantalla LCD
12. LED de control
13. encoder



## 5. Instalación

### a) Bombilla

- Desconecte el aparato de la red antes de instalar o reemplazar una lámpara.
- Las lámparas llegan a temperaturas de hasta 600°C. Deje que la lámpara se enfríe antes de reemplazarla.
- No toque una lámpara halógena con las manos sin protección. Use un paño para reemplazar una lámpara.
- No use lámparas con más vatios porque éstas generan temperaturas para las que este aparato no ha sido diseñado.
- Reemplace cada lámpara deformada o defectuosa por una lámpara del mismo tipo (véase « **Especificaciones** »):
  1. Desatornille los 4 tornillos de la caja de la parte trasera del aparato. Saque la caja.
  2. Desatornille los tornillos de cabeza moleteada que fijan la bombilla.
  3. Saque cuidadosamente la bombilla del casquillo e introduzca una nueva.
  4. Vuelva a atornillar los tornillos de cabeza moleteada y cierre la caja.

Nota: La bombilla no está del tipo « hot restrike » (reencendido instantáneo aún con la lámpara caliente). Espere unos diez minutos antes de volver a activar el aparato después de haberlo desactivado.

**Observación: ¡No use este aparato con la caja abierta!**

### b) Fusible

- Desconecte el aparato de la red eléctrica antes de reemplazar el fusible.
- Si se funde una lámpara, es posible que se deba también reemplazar el fusible.
- Reemplace un fusible fundido por otro del mismo tipo (véase « **Especificaciones** »):
  1. Desatornille el portafusibles de la parte trasera del aparato con un desatornillador adecuado.
  2. Quite el fusible fundido y reemplácelo.
  3. Vuelva el portafusibles en su lugar.

### c) Montaje del aparato

- Respete la directiva EN 60598-2-17 y toda norma nacional antes de instalar el aparato. La instalación debe ser realizada por un técnico especializado.
- El soporte donde irá el aparato, debe ser capaz de sostener 10 veces el peso de éste durante una hora, sin que se produzca una deformación de dicho soporte.
- Fije el **VDP250SC6M2** con un cable de seguridad (seguridad adicional).
- Evite ponerse debajo del aparato durante el montaje, la limpieza, etc. Un técnico especializado debe revisar el aparato antes de la puesta en marcha. Después, debe revisarlo una vez al año.
- Instale el aparato fuera del alcance de personas no capacitadas y en un lugar con poca gente.
- La instalación de este aparato exige una sólida experiencia práctica: debe poder calcular la carga máx. del soporte, debe conocer los materiales necesarios para la instalación, etc. De vez en cuando, una verificación de la estructura y del aparato mismo debe ser llevada a cabo por un técnico especializado. No intente instalar este aparato si no tiene las cualificaciones requeridas; una instalación incorrecta puede causar lesiones.
- Ajuste el ángulo de inclinación mediante el soporte de montaje y atornille los tornillos de montaje.
- Quite todo material inflamable en un radio de 0.5m alrededor del aparato.
- Un electricista debe llevar a cabo la conexión eléctrica.
- Conecte el aparato a la red eléctrica con la conexión de alimentación. No lo conecte a un dimmer.
- Un experto debe probar la instalación antes de la puesta en marcha.

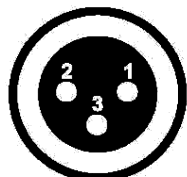
## 6. Uso

**NOTA:** Este aparato tiene un dispositivo de seguridad. Es imposible activar el aparato si no está equipado con bombilla, si está defectuosa o se ha calentado demasiado.

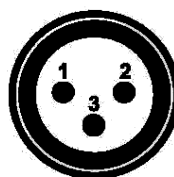
### a. Conexión DMX512

Conecte el cable con conector XLR (incl.) a la salida XLR hembra de 3 polos del controlador y el otro conector XLR macho de 3 polos a la entrada del **VDP250SC6M2**. Es posible conectar varios **VDP250SC6M2** en serie. Use un cable blindado de doble hilo conductor con conectores XLR de entrada y de salida.

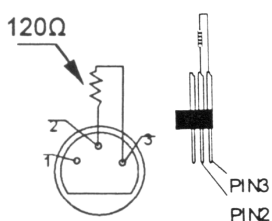
### b. Disposición de los polos en una conexión XLR



1. masa
2. señal -
3. señal +



### c. Conexión DMX-512 con una terminación DMX



Se recomienda una terminación DMX si el cable DMX debe cubrir una gran distancia o si se usa en un medio ambiente con mucho ruido eléctrico (p.ej. una discoteca). La terminación impide que el ruido eléctrico corrompa la señal de control numérico. La terminación DMX no es más que un conector XLR con una resistencia de 120Ω de polo 2 a polo 3. Este conector XLR está conectado a la salida XLR del último aparato de la serie. Véase la figura a la izquierda.

### d. Panel de control y menú

Active el aparato al conectarlo a la red eléctrica con el cable de alimentación.

#### • Sin señal DMX (2 modos de funcionamiento)

Sound	Control por la música: desconecte la señal DMX, pulse el encoder y gire hacia la izquierda. Vuelva a pulsar para confirmar.
Auto	Programas incorporados: desconecte la señal DMX, pulse el encoder y gire hacia la izquierda. Vuelva a pulsar para confirmar.

#### • Dirección DMX

Addr 001	Pulse el encoder y gire hacia la derecha para aumentar el valor o hacia la izquierda para disminuir el valor. Vuelva a pulsar para confirmar.
----------	---

#### • Movimientos pan/tilt

Reverse tilt Y	Tilt invertido: Pulse el encoder y gire hacia la izquierda. Vuelva a pulsar para confirmar.
Reverse tilt N	Tilt norma: Pulse el encoder y gire hacia la derecha. Vuelva a pulsar para confirmar.
Reverse pan Y	Pan invertido: Pulse el encoder y gire hacia la izquierda. Vuelva a pulsar para confirmar.
Reverse pan N	Pan normal: Pulse el encoder y gire hacia la derecha. Vuelva a pulsar para confirmar.

#### • Velocidad del chase

Chase Speed001	Pulse el encoder y gire hacia la derecha para aumentar la velocidad o hacia la izquierda para disminuir la velocidad. Vuelva a pulsar para confirmar.
----------------	---



- **LED de control**

Rojo	Aparato activado
Amarillo	Salida DMX (modos « sound/auto »)
Verde	Entrada DMX

**e. Modo autónomo (stand-alone)**

Es posible utilizar el **VDP250SC6M2** sin controlador. El escáner está equipado con un micrófono incorporado que permite un funcionamiento controlado por la música. Seleccione « Master mode ».

**f. Modo maestro/esclavo**

Este modo permite a los aparatos esclavo de funcionar simultáneamente con el aparato maestro. Conecte la salida DMX de un aparato a la entrada DMX del aparato siguiente con un cable con conectores XLR. Seleccione « No DMX sound » o « No DMX auto » en el aparato maestro. Ponga la dirección de todos los aparatos esclavo en 1.

**g. Modo DMX**

Si se usa una señal DMX, cada aparato tiene su propia dirección inicial DMX para asegurar que los aparatos reaccionen a las señales de control correctas. Esta dirección inicial digital es el primer canal en el cual el aparato reaccionará a las señales DMX del controlador DMX. Determine esta función con los interruptores DIP de la parte trasera del aparato.

Es posible elegir entre una sola dirección inicial para toda una serie de aparatos o una dirección inicial por aparato. Con una sola dirección inicial para una serie de aparatos, todos los aparatos reaccionarán sincronizadamente a la misma señal. Por lo tanto, cambiar los ajustes de un solo canal afecta a los ajustes de todos los canales. Con varias direcciones iniciales, cada aparato reaccionará independientemente. Por lo tanto, cambiar los ajustes de un solo canal sólo afecta al canal en cuestión.

Para el **VDP250SC6M2** de 6 canales, la dirección inicial del primer aparato es 1. Introduzca 7 (1 + 6) para el segundo aparato, introduzca 13 (7 + 6) para el tercer aparato, etc.

**h. Valores DMX detallados por canal**

Canal	Función	De	A	Descripción
1	Shutter, estroboscopio	0	139	Ajuste gradual del dimmer de 0 a 100%
		140	199	Estroboscopio de lento a rápido
		200	249	Estroboscopio arbitrario
		250	255	Shutter abierto
2	Disco de color	0	15	Blanco
		16	31	Magenta
		32	47	Amarillo
		45	63	Naranja
		64	79	Verde
		80	95	Rojo
		96	111	Azul
		112	127	Violeta
		128	191	Efecto arco iris hacia adelante con aumento de la velocidad
192	255	Efecto arco iris hacia atrás con aumento de la velocidad		
3	Disco de gobo giratorio	0	15	Abierto
		16	31	Gobo 1
		32	47	Gobo 2
		48	63	Gobo 3
		64	9	Gobo 4

3	Disco de gobo giratorio	80	95	Gobo 5
		96	111	Gobo 6
		112	127	Gobo 7
		128	191	Cambio de gobo hacia adelante con aumento de la velocidad
		192	255	Cambio de gobo hacia atrás con aumento de la velocidad
4	Rotación gobo	0	15	Sin rotación
		16	135	Rotación hacia adelante con aumento de la velocidad
		136	255	Rotación hacia atrás con aumento de la velocidad
5	Pan	-	-	Mueve el conmutador deslizante para desplazar el espejo de manera horizontal. Ajuste gradual del espejo con conmutador deslizante (0-255, 128-centro). Es posible parar el espejo en cada posición.
6	Tilt	-	-	Mueve el conmutador deslizante para desplazar el espejo de manera vertical. Ajuste gradual del espejo con conmutador deslizante (0-255, 128-centro). Es posible parar el espejo en cada posición.

## 7. Limpieza y mantenimiento

1. Apriete bien las tuercas y los tornillos y verifique que no hay señales de oxidación.
2. No modifique la caja, los soportes y las ópticas p.ej. no taladre agujeros adicionales en un soporte o no modifique las conexiones, etc.
3. Las partes móviles no pueden mostrar ningún rastro de desgaste y deben estar bien equilibradas.
4. No dañe los cables de alimentación. Contacte con un técnico especializado para instalar el aparato.
5. Desconecte el aparato de toda fuente antes de limpiarlo.
6. Limpie el aparato regularmente con un paño húmedo. Evite el uso de alcohol y de disolventes.
7. El usuario no habrá de efectuar el mantenimiento de ninguna pieza salvo el fusible y la bombilla.
8. Contacte con su distribuidor si necesita piezas de recambio.

## 8. Especificaciones

Alimentación	máx. 230VCA / 50Hz
Consumo	máx. 350W
Bombilla	1 x Philips MSD 250W, 6700K (referencia <b>LAMP250MSD</b> ), 1 x Philips MSD 250, 8500K (referencia <b>LAMP250MSD/2PH</b> ), 1 x Xenpow MSD 250, 8000K (referencia <b>LAMP250MSD/2</b> ) o 1 x Sylvania MSD 250, 8500K (referencia <b>LAMP250MSD/2SYL</b> ) – bombilla no incl.
Fusible	5A, 250VCA (5 x 20mm) (referencia <b>FF5N</b> )
Dimensiones	535 x 295 x 180mm
Peso	16kg
Humedad máx.	50% RH
Temperatura de funcionamiento	-5°C ~ +45°C
Temperatura ambiente máx.	45°C

**Para más información sobre este producto, visite nuestra página web [www.hqpower.com](http://www.hqpower.com). Se pueden modificar las especificaciones y el contenido de este manual sin previo aviso.**

# VDP250SC8M2 – 8-KANAL-SCANNER - AERON 250 II

## 1. Einführung & Eigenschaften

An alle Einwohner der Europäischen Union

**Wichtige Umweltinformationen über dieses Produkt**



Dieses Symbol auf dem Produkt oder der Verpackung zeigt an, dass die Entsorgung dieses Produktes nach seinem Lebenszyklus der Umwelt Schaden zufügen kann.

Entsorgen Sie die Einheit (oder die verwendeten Batterien) nicht als unsortiertes Hausmüll; die Einheit oder die verwendeten Batterien müssen von einer spezialisierten Firma zwecks Recycling entsorgt werden.

Diese Einheit muss an den Händler oder ein örtliches Recycling-Unternehmen retourniert werden.

Respektieren Sie die örtlichen Umweltvorschriften.

**Falls Zweifel bestehen, wenden Sie sich für Entsorgungsrichtlinien an Ihre örtliche Behörde.**

Wir bedanken uns für den Kauf des **VDP250SC6M2**! Bitte lesen Sie diese Bedienungsanleitung vor Inbetriebnahme sorgfältig durch. Überprüfen Sie, ob Transportschäden vorliegen. Sollte dies der Fall sein, verwenden Sie das Gerät nicht und wenden Sie sich an Ihren Händler.

**Eigenschaften:**

- 7 unterschiedliche, dichroitische Farbfilter + weiß
- Regenbogeneffekt mit regelbarer Geschwindigkeit in beide Richtungen
- Goborad mit 7 rotierenden Gobos + offen
- Strobe-Effekt mit regelbarer Geschwindigkeit über Shutter
- motorischer Fokus
- 3-seitiges Prisma mit regelbarer Geschwindigkeit, rotieren in beide Richtungen
- DMX-gesteuerter, Stand-Alone- oder Master-Slave Modus
- musikgesteuert über eingebautes Mikrofon
- Control Board mit LCD-Display und Encoder zur Einstellung der DMX-Startadresse

## 2. Sicherheitshinweise



Seien Sie während der Installation des Gerätes sehr vorsichtig: das Berühren von unter Spannung stehenden Leitungen könnte zu lebensgefährlichen elektrischen Schlägen führen.



Berühren Sie das Gehäuse während des Betriebs nicht, denn das Gehäuse heizt auf.



Schützen Sie das Gerät vor Feuchtigkeit und Feuchte.



Trennen Sie das Gerät vom Netz bevor Sie das Gehäuse öffnen.

- Bei Schäden, die durch Nichtbeachtung der Bedienungsanleitung verursacht werden, erlischt der Garantieanspruch. Für daraus resultierende Folgeschäden übernimmt der Hersteller keine Haftung.
- Lassen Sie dieses Gerät von einem Fachmann installieren und warten.
- Nehmen Sie das Gerät nicht sofort in Betrieb, nachdem es von einem kalten in einen warmen Raum gebracht wurde. Lassen Sie das Gerät solange ausgeschaltet, bis es die Zimmertemperatur erreicht hat.
- Der Aufbau des Gerätes entspricht der Schutzklasse I. Gemäß den Vorschriften muss das Gerät geerdet sein. Der elektrische Anschluss darf nur von einer Fachkraft durchgeführt werden.
- Schließen Sie das Gerät erst an das Netz an wenn Sie mit der Installation fertig sind. Sorgen Sie dafür, dass das Netzkabel nicht mit anderen Kabeln in Kontakt kommt.
- Vergewissern Sie sich, dass die anzuschließende Netzspannung nicht höher ist als die Netzspannung beschrieben in dieser Bedienungsanleitung.
- Achten Sie darauf, dass die Netzleitung nicht gequetscht oder durch scharfe Kanten beschädigt werden kann. Bei Beschädigungen soll eine Fachkraft das Kabel ersetzen.
- Trennen Sie das Gerät bei Nichtbenutzung und vor jeder Reinigung vom Netz. Fassen Sie dazu den Netzstecker an der Grifffläche an und ziehen Sie nie an der Netzleitung.

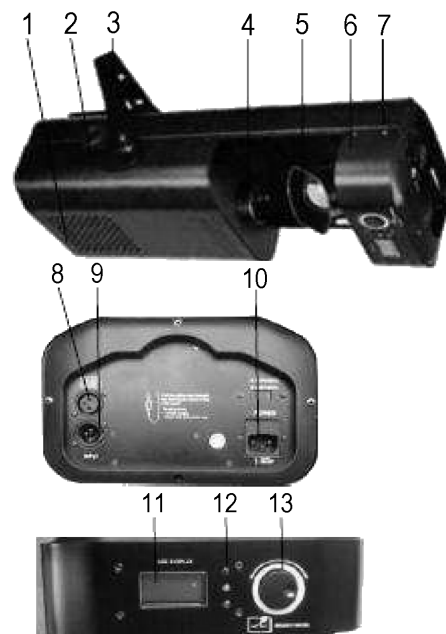
- Reinigen Sie ein staubiges Netzkabel mit einem trockenen Tuch.
- Verwenden Sie Verlängerungskabel mit angepasstem Durchmesser. Alle Sicherheitshinweise für das Netzkabel gelten auch für Verlängerungskabel.
- Halten Sie das Gerät von Flüssigkeiten fern. Sorgen Sie dafür, dass da keine Flüssigkeit oder kein Gegenstand in Kontakt mit dem elektrischen Kreis, Netzkabel kommt.
- Betreiben Sie das Gerät nicht unbeaufsichtigt.
- Beim ersten Gebrauch könnte es Rauch oder einen spezifischen Geruch geben. Das ist normal und wird nach einiger Zeit allmählich verschwinden.
- Blicken Sie niemals direkt in die Lichtquelle da bei empfindlichen Menschen epileptische Anfälle ausgelöst werden können.
- Bei Schäden verursacht durch eigenmächtige Änderungen erlischt der Garantieanspruch.
- Halten Sie Kinder und Unbefugte vom Gerät fern.

### 3. Allgemeine Richtlinien

- Dieses Gerät wurde für den professionellen Einsatz auf Bühnen, in Discotheken, Theatern, usw. entworfen. Verwenden Sie das Gerät nur in Innenräumen und mit einer Wechselspannung von max. 230VAC / 50Hz.
- Lichteffekte eignen sich nicht für permanenten Betrieb: eine regelmäßige Pause verlängert die Lebensdauer.
- Vermeiden Sie Erschütterungen. Vermeiden Sie rohe Gewalt während der Installation und Bedienung des Gerätes.
- Achten Sie bei der Wahl des Installationsortes darauf, dass das Gerät keinem Staub, keiner Feuchtigkeit und extremen Temperaturen ausgesetzt wird (siehe **“Technische Daten”**). Sorgen Sie für einen Abstand von min. 0.5m zwischen der Lichtausbeute vom Gerät und der zu beleuchteten Oberfläche.
- Setzen Sie das Gerät keinem Tropf- oder Spritzwasser, Regen, Feuchte oder Nebel aus. Installieren Sie das Gerät in einem Abstand von min. 0.5m vom Ausgang einer Nebelmaschine.
- Verwenden Sie das Gerät nicht bei Gewitter.
- Sorgen Sie für genügen Ventilation und lassen Sie einen Abstand von 0.5m rund um das Gerät.
- Machen Sie das Gerät mit einem geeigneten Sicherheitskabel fest (z.B. **VDLSC7** oder **VDLSC8**).
- Nehmen Sie das Gerät erst in Betrieb, nachdem Sie sich mit seinen Funktionen vertraut gemacht haben. Lassen Sie das Gerät nicht von Personen bedienen, die sich nicht mit dem Gerät auskennen. Meist ist die Beschädigung des Gerätes das Ergebnis von unfachmännischer Bedienung.
- Verwenden Sie die Originalverpackung, wenn das Gerät transportiert werden soll.
- Eigenmächtige Veränderungen sind aus Sicherheitsgründen verboten.
- Verwenden Sie das Gerät nur für Anwendungen in dieser Bedienungsanleitung beschrieben, sonst kann dies zu Schäden am Produkt führen und erlischt der Garantieanspruch. Jede andere Verwendung ist mit Gefahren wie Kurzschluss, Brandwunden, elektrischem Schlag, usw. verbunden.
- Die Installation muss vor Inbetriebnahme von einem Experten genehmigt werden.

### 4. Umschreibung

1. Lüftungsschlitze
2. Befestigungsschraube
3. Hängebügel
4. Linse
5. Spiegel
6. Gehäuse
7. Schraube des Gehäuses
8. DMX-Ausgang
9. DMX-Eingang
10. Anschluss Netzkabel / Sicherungshalter
11. LCD-Display
12. LEDs
13. Encoder



## 5. Installation

### a) Lampe

- Wechseln Sie die Lampen nur wenn das Gerät vom Netz getrennt ist.
- Lassen Sie eine Lampe erst abkühlen bevor Sie sie ersetzen, denn eine Lampe erreicht eine Temperatur von 600°C während Betriebs.
- Berühren Sie die Halogenlampe nicht ohne Handschutz. Verwenden Sie ein Tuch um eine Lampe einzubringen oder zu entfernen.
- Bringen Sie keine Lampen mit einer höheren Wattleistung als diejenigen, die für das Gerät entworfen wurden, ein.
- Ersetzen Sie eine verformte oder eine beschädigte Lampe durch eine des selben Typs (siehe **“Technische Daten”**). Vorgehensweise:
  1. Schrauben Sie die 4 Schrauben auf der Rückseite des Gehäuses los. Entfernen Sie das Gehäuse.
  2. Schrauben Sie die Rändelschrauben, die die Lampe festhalten, los.
  3. Nehmen Sie die Lampe vorsichtig aus der Fassung und legen Sie eine neue ein.
  4. Schrauben Sie die Rändelschrauben wieder fest und schließen Sie das Gehäuse.

Diese Lampe ist nicht vom “Hot Restrike“-Typ (heiß nicht wieder zündbar). Warten Sie etwa 10 Minuten nachdem ehe Sie das Gerät wieder einschalten.

**Bemerkung: Schalten Sie das Gerät niemals ein, ohne vorher den Deckel geschlossen zu haben.**

### b) Sicherung

- Trennen Sie das Gerät vor dem Sicherungswechsel von der Netzspannung.
- Wenn eine Lampe durchbrennt, werden Sie höchstwahrscheinlich auch die Sicherung auf der Rückseite ersetzen müssen.
- Ersetzen Sie eine Sicherung nur durch eine Sicherung desselben Typs und derselben Leistung (siehe **“Technische Daten”**). Vorgehensweise:
  1. Entfernen Sie den Sicherungshalter auf der Rückseite des Gerätes mit einem geeigneten Schraubendreher.
  2. Entfernen Sie die defekte Sicherung und setzen Sie eine neue Sicherung gleichen Typs ein.
  3. Bringen Sie den Sicherungshalter wieder in das Gehäuse ein.

### c) Das Gerät montieren

- Lassen Sie das Gerät von einem Fachmann und gemäß den EN 60598-2-17 und allen anderen zutreffenden Normen installieren.
- Die Konstruktion muss während einer Stunde eine Punktlast von maximal 10 x dem Gewicht des Gerätes tragen können, ohne dass Verformung verursacht wird.
- Das Gerät muss immer mit einer zweiten Befestigung z.B. mit einem Sicherheitskabel gesichert werden.
- Stehen Sie während der Montage, Entfernung oder Wartung nie direkt unter dem Gerät. Lassen Sie das Gerät jährlich und vor der Inbetriebnahme von einem Fachmann prüfen.
- Montieren Sie das Gerät an einem Ort, wo niemand es berühren kann und wo wenige Leute vorübergehen.
- Eine gründliche praktische Erfahrung ist für die Installation des Gerätes notwendig: Sie müssen die max. Belastung der Tragkonstruktion berechnen können, wissen welches Konstruktionsmaterial Sie verwenden dürfen. Außerdem müssen Sie das verwendete Material und das Gerät regelmäßig nachsehen lassen. Montieren Sie das Gerät nie selber wenn Sie damit keine Erfahrung haben. Eine schlechte Montage kann Verletzungen verursachen.
- Regeln Sie den Neigungswinkel über den Montagebügel und drehen Sie die Schrauben fest an.
- Entfernen Sie alle entflammaren Materialien in einem Abstand von 0.5m.
- Lassen Sie das Gerät von einem qualifizierten Elektriker anschließen.
- Schließen Sie das Gerät an das Hauptnetz und nicht an einen Dimmer an.
- Die Installation muss vor Inbetriebnahme von einem Experten genehmigt werden.

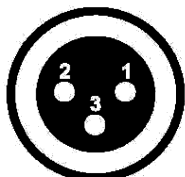
## 6. Gebrauch

**BEMERKUNG:** Dieses Gerät hat einen Sicherheitsschalter. Das Gerät kann nicht eingeschaltet werden wenn die Lampe entfernt wurde, defekt oder zu heiß ist.

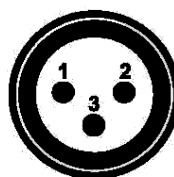
### a. DMX512-Anschluss

Verbinden Sie ein XLR-Kabel mit dem 3-pol. XLR-Ausgang der Steuerung und die andere Seite mit dem 3-pol. XLR-Eingang des **VDP250SC6M2**. Sie können verschiedene **VDP250SC6M2** in Serie schalten. Die Verbindung muss mit einem zweipoligen geschirmten Kabel mit XLR-Stecker und -Kupplung erfolgen.

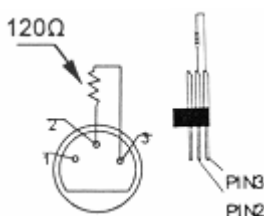
### b. Belegung der XLR-Verbindung



1. Masse
2. Signal -
3. Signal +



### c. DMX-512-Kette mit Abschlusswiderstand



Ein DMX-Abschlusswiderstand empfehlenswert für Installationen, bei denen das DMX-Kabel lang ist oder in einer Umgebung mit vielem elektrischem Rauschen (z.B. Diskos). Der Abschlusswiderstand verhindert Störung des digitalen Steuersignals durch elektrisches Rauschen. Der DMX-Abschlusswiderstand ist nur eine XLR-Buchse mit einem 120Ω Widerstand zwischen 2 und 3, die den XLR-Ausgang des letzten Geräts in der Kette angeschlossen wird.

### d. Control Board und Menü

Schalten Sie das Gerät ein, indem Sie das Netzkabel ans Netz anschließen.

#### • Kein DMX-Signal (2 Betriebsmodi)

Sound	Musiksteuerung: Trennen Sie das DMX-Signal, drücken Sie den Encoder und drehen Sie gegen den Uhrzeigersinn. Drücken Sie erneut, um zu bestätigen.
Auto	Automatische eingebaute Programmen: Drücken Sie den Encoder und drehen Sie gegen den Uhrzeigersinn. Drücken Sie erneut, um zu bestätigen.

#### • DMX-Adresse

Addr 001	DMX-Adresse einstellen: Drücken Sie den Encoder und drehen Sie ihn im Uhrzeigersinn, um den Wert zu erhöhen oder gegen den Uhrzeigersinn, um den Wert zu reduzieren. Drücken Sie erneut, um zu bestätigen.
----------	--

#### • Pan/Tilt

Reverse tilt Y	Tilt umgekehrt. Drücken Sie den Encoder und drehen Sie gegen den Uhrzeigersinn. Drücken Sie erneut, um zu bestätigen.
Reverse tilt N	Tilt normal. Drücken Sie den Encoder und drehen Sie im Uhrzeigersinn. Drücken Sie erneut, um zu bestätigen.
Reverse pan Y	Pan umgekehrt. Drücken Sie den Encoder und drehen Sie gegen den Uhrzeigersinn. Drücken Sie erneut, um zu bestätigen.
Reverse pan N	Pan normal. Drücken Sie den Encoder und drehen Sie im Uhrzeigersinn. Drücken Sie erneut, um zu bestätigen.

- **Chase-Geschwindigkeit**

Chase Speed001	Chase-Geschwindigkeit einstellen: Drücken Sie den Encoder und drehen Sie gegen den Uhrzeigersinn, um den Wert zu reduzieren (langsamer) oder im Uhrzeigersinn, um den Wert zu erhöhen (schneller). Drücken Sie erneut, um zu bestätigen.
----------------	--

- **LEDs**

Rot	Gerät eingeschaltet (Power ON)
Gelb	DMX-Ausgang (Sound/Auto-Modus)
Grün	DMX-Eingang

**e. Stand-Alone**

Der **VDP250SC6M2** lässt sich in diesem Modus ohne Controller ansteuern. Der Scanner verfügt über ein eingebautes Mikrofon für eine musikgesteuerte Anwendung. Wählen Sie "Master mode" aus, um diese Funktion zu verwenden.

**f. Master/Slave**

In diesem Modus können Sie alle angeschlossenen Slave-Geräte mit dem Master-Gerät synchronisieren. Schließen Sie den DMX-Ausgang des Gerätes mit einem Kabel mit XLR-Anschlüssen an den DMX-Eingang des nächsten Gerätes. Stellen Sie das Master-Gerät auf "No DMX sound" oder "No DMX auto". Stellen Sie die Adresse aller Slave-Geräte auf 1.

**g. DMX-Steuerung**

Alle DMX-gesteuerten Geräte brauchen eine digitale Startadresse, sodass das richtige Gerät auf die Signale reagieren kann. Diese digitale Startadresse ist die Kanalnummer, von der das Gerät die Befehle der DMX-Steuerung empfängt und ausführt. Geben Sie die korrekte Nummer ein und lesen Sie es im Display auf der Unterseite des **VDP250SC6M2**.

Sie können mehrere Geräte auf eine einzelne Startadresse definieren oder Sie können pro Gerät eine neue Startadresse eingeben.

Werden mehrere Geräte auf eine Startadresse definiert, so funktionieren alle Geräte synchron. Mit anderen Worten: wenn Sie die Einstellungen für 1 Kanal verändern, ändern sich die Einstellungen aller Kanäle.

Definieren Sie mehrere Adressen, so funktionieren alle Geräte unabhängig voneinander. Mit anderen Worten: wenn Sie die Einstellungen für 1 Kanal verändern, werden nur die Einstellungen von diesem Kanal geändert.

In dem Fall des 6-Kanal **VDP250SC6M2**, stellen Sie die Startadresse der ersten Einheit auf 1, der zweiten Einheit auf 7 (1 + 6), der dritten Einheit auf 13 (7 + 6) usw. ein.

**h. Detaillierte DMX-Werte pro Kanal**

Kanal	Funktion	Von	Bis	Umschreibung
1	Shutter, Stroboskop	0	139	Progressive Dimmerfunktion von 0 bis 100%
		140	199	Beliebiger Strobo-Effekt von langsam nach schnell
		200	249	Beliebiger Strobo-Effekt
		250	249	Shutter offen
2	Farbrad	0	15	Weiß
		16	31	Magenta
		32	47	Gelb
		45	63	Orange
		64	79	Grün
		80	95	Rot
		96	111	Blau
		112	127	Violett
		128	191	Rainboweffekt vorwärts mit zunehmender Geschwindigkeit
		192	255	Rainboweffekt rückwärts mit zunehmender Geschwindigkeit

3	Rotierendes Goborad	0	15	Offen
		16	31	Gobo 1
		32	47	Gobo 2
		48	63	Gobo 3
		64	9	Gobo 4
		80	95	Gobo 5
		96	111	Gobo 6
		112	127	Gobo 7
		128	191	Gobowechsel vorwärts mit zunehmender Geschwindigkeit
		192	255	Gobowechsel rückwärts mit zunehmender Geschwindigkeit
4	Goborotation	0	15	Keine Rotation
		16	135	Gobo vorwärts mit zunehmender Geschwindigkeit
		136	255	Gobo rückwärts mit zunehmender Geschwindigkeit
5	Pan	-	-	Verschieben Sie den Schieberegler um den Spiegel horizontal zu bewegen. Progressive Spiegelbewegung bei langsamem Schieben des Reglers (0-255, 128-Zentrum). Der Spiegel kann an jeder gewünschten Einstellung angehalten werden.
6	Tilt	-	-	Verschieben Sie den Schieberegler, um den Spiegel vertikal zu bewegen. Progressive Spiegelbewegung bei langsamem Schieben des Reglers (0-255, 128-Zentrum). Der Spiegel kann an jeder gewünschten Einstellung angehalten werden.

## 7. Reinigung und Wartung

1. Alle verwendeten Schrauben müssen fest angespannt werden und dürfen keine Rostspuren zeigen.
2. Das Gehäuse, die Linsen, die Montagebügel und der Montageort (z.B. Decke oder Gebinde) dürfen nicht angepasst werden, z.B. bohren Sie keine zusätzlichen Löcher in Montagebügel, verändern Sie die Anschlüsse nicht, usw.)
3. Mechanische bewegende Teile dürfen keine Spuren von Verschleiß aufweisen.
4. Sorgen Sie dafür, dass die Netzkabel nicht beschädigt sind. Lassen Sie das Gerät von einer Fachkraft warten.
5. Trennen Sie das Gerät vom Netz ehe Sie mit den Servicearbeiten anfangen.
6. Verwenden Sie zur Reinigung ein feuchtes, fusselfreies Tuch. Verwenden Sie auf keinen Fall Alkohol oder irgendwelche Lösungsmittel.
7. Die Teile dürfen nicht eigenmächtig ersetzt werden außer der Lampe und der Sicherung.
8. Bestellen Sie eventuelle Ersatzteile bei Ihrem Fachhändler.

## 8. Technische Daten

Stromversorgung	max. 230VAC / 50Hz
Stromverbrauch	max. 350W
Lampe	1 x Philips MSD 250W, 6700K (Bestell-Nr. <b>LAMP250MSD</b> ), 1 x Philips MSD 250, 8500K (Bestell-Nr. <b>LAMP250MSD/2PH</b> ), 1 x Xenpow MSD 250, 8000K (Bestell-Nr. <b>LAMP250MSD/2</b> ) of 1 x Sylvania MSD 250, 8500K (Bestell-Nr. <b>LAMP250MSD/2SYL</b> ) – Lampe nicht mitgeliefert
Sicherung	5A, 250VAC (5 x 20mm) (Bestell-Nr. <b>FF5N</b> )
Abmessungen	535 x 295 x 180mm
Gewicht	16kg
Max. Feuchte	50% RH
Betriebstemperatur	-5°C ~ +45°C
Max. Umgebungstemperatur	45°C

Für mehr Informationen zu diesem Produkt, siehe [www.hqpower.com](http://www.hqpower.com).  
Alle Änderungen ohne vorherige Ankündigung vorbehalten.