

PROMIX1212E

12-CHANNEL MIXER - DIGITAL MULTI-EFFECTS PROCESSOR
CONSOLE DE MIXAGE 12 CANAUX - PROCESSEUR MULTI-EFFETS NUMÉRIQUE
12-KANAALS MENGTAFFEL - DIGITALE MULTI-EFFECTPROCESSOR
MESA DE MEZCLAS DE 12 CANALES - PROCESADOR MULTI-EFECTOS DIGITAL
12-KANAL-MISCHPULT - DIGITALER MULTIEFFEKT-PROZESSOR



USER MANUAL
GEBRUIKERSHANDLEIDING
NOTICE D'EMPLOI
MANUAL DEL USUARIO
BEDIENUNGSANLEITUNG



PROMIX1212E

12-CHANNEL MIXER - DIGITAL MULTI-EFFECTS PROCESSOR

1. Introduction

To all residents of the European Union

Important environmental information about this product



This symbol on the device or the package indicates that disposal of the device after its lifecycle could harm the environment.

Do not dispose of the unit (or batteries) as unsorted municipal waste; it should be taken to a specialized company for recycling.

This device should be returned to your distributor or to a local recycling service.

Respect the local environmental rules.

If in doubt, contact your local waste disposal authorities.

Thank you for choosing HQPOWER! Please read the manual thoroughly before bringing this device into service. If the device was damaged in transit, don't install or use it and contact your dealer.

2. Safety Instructions



Be very careful during the installation: touching live wires can cause life-threatening electroshocks.



Keep this device away from rain and moisture.



Unplug the mains lead before opening the housing.

- Damage caused by disregard of certain guidelines in this manual is not covered by the warranty and the dealer will not accept responsibility for any ensuing defects or problems.
- A qualified technician should install and service this device.
- Do not switch the device on immediately after it has been exposed to changes in temperature. Protect the device against damage by leaving it switched off until it has reached room temperature.
- Do not expose the device to liquids and make sure not to place any object containing liquid on top of the device.
- Note that damage caused by user modifications to the device is not covered by the warranty.
- Keep the device away from children and unauthorised users.

3. Description

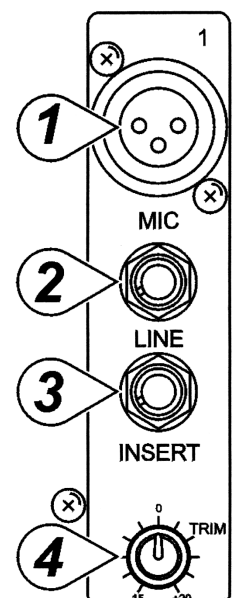
a. Mono Input

1. MIC Input

Each mono input channel offers a balanced microphone input via the XLR connector and also features a switchable +48V phantom power supply for condenser microphones. The XLR jack is configured for pin 1 (ground), pin 2 (positive (+)) and pin 3 (negative (-)).

2. LINE Input

The LINE input is designed to accept balanced or unbalanced line level signals such as those from keyboards, drum machines or samplers. There is enough gain available on the line input to accept even lower level signals such as those from an unbalanced microphone or guitar output. If a balanced signal is to be connected to the line input, then a 1/4" TRS (stereo) phone plug should be wired for the tip (positive (+)), the ring (negative (-)) and the sleeve (ground).



NOTE: Either the MIC or the LINE input of a given channel can be connected at one time. Never connect both simultaneously to the same channel.

3. INSERT

These mono channels are equipped with insert jacks to connect external signal processors such as compressors, noise suppressors or effect devices, to the individual input channels. Insert points are useful for adding dynamic processing or equalization to a channel or the mix. Unlike reverberation, which is usually added to the dry signal, dynamic processing is normally applied to the entire signal. These jacks can also be used as a direct output by sending the signal from the ring. To do so, insert a ¼" plug halfway into the jack so the tip of the plug connects to the ring of the jack.

4. TRIM

The TRIM control adjusts the input sensitivity (channel gain) of the MIC and LINE inputs on the mono input channels. This control can be adjusted to accommodate input signals from a wide variety of sources, from the high outputs from keyboards or drum machines to the small signal outputs of microphones. This wide range eliminates the need for MIC / LINE switching. The best S/N balance and dynamic range will be achieved if you adjust the TRIM control on each channel separately so that the PEAK LED (11) for that channel lights occasionally.

NOTE: This control should always be turned fully anticlockwise whenever you connect or disconnect a signal source to one of the inputs.

5. EQUALIZER

All mono input channels are fitted with three-band EQ. The upper (HIGH) and lower (LOW) shelving controls have their frequencies fixed at 12kHz and 80Hz respectively. The midrange control has a peaking response, with Q fixed at 2 octaves and the frequency at 2.5kHz. All three bands have up to 15dB of cut and boost with a centre detent for "off".

6. AUX SEND 1, 2

Both AUX SEND 1 and 2 are mono and post EQ, and control the level of the signals sent to the AUX buses.

- AUX SEND 1 is pre-fader and the signal sent to the AUX 1 bus will be unaffected by the channel fader setting.
- AUX SEND 2 is post-fader and the signal sent to the AUX 1 bus will be affected by the channel fader setting.

For almost all effects send purposes you may want to use the post-fader AUX 2 so that when a fader level is adjusted, any reverb sent from that channel follows the fader. Otherwise, when the fader is pulled down, the reverb of that channel would still be audible. You can also use the AUX SEND 2 to feed inputs to a multi-track recorder or any unbalanced line level application. On the other hand, for cueing purposes and monitor amplifiers, use the pre-fader AUX 1.

8. FX Control

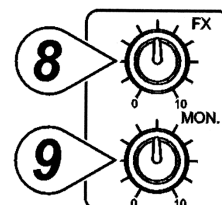
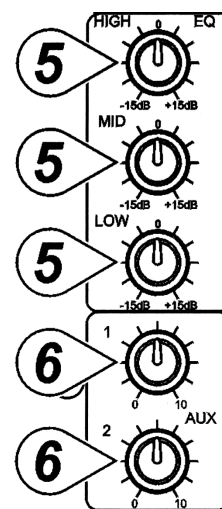
This control alters the signal level sent to the FX send outputs and the built-in digital effects processor. The FX send signal can be used in conjunction with external signal processors (this signal of which can be returned to the mixer via the AUX return input), or simply as an additional auxiliary output.

9. MON Control

The MON control is designed for feeding a separate monitor mix to the musicians onstage via the MON output jack.

10. PAN Control

The channel PAN positions the output of the channel in the stereo field of the main mix if the L-R selection switch (13) is depressed. Its constant power design ensures there are no level discrepancies whether the signal is hard-panned, centre-staged or somewhere in between. The channel PAN also determines the stereo position of any signal routed to the G1-2 bus when the G1-2 bus is selected with the G1-2 switch (14).



11. PEAK LED

The PEAK LED illuminates when a channel is going into overload. It detects the peak level after the EQ and will light at 3dB before clipping to warn that the signal is approaching overload. You do not want the PEAK LED to light except very intermittently during a take or a mix. If it does light persistently, reduce input gain with the TRIM control (4).

12. PFL Selection Switch

The PFL (Pre-Fader Listen) switch enables monitoring the mono signal of any channel(s) selected (button depressed) at nominal levels through the headphones or control room monitor outputs. The signal is post EQ and independent of the channel fader's position.

13. L-R Selection Switch

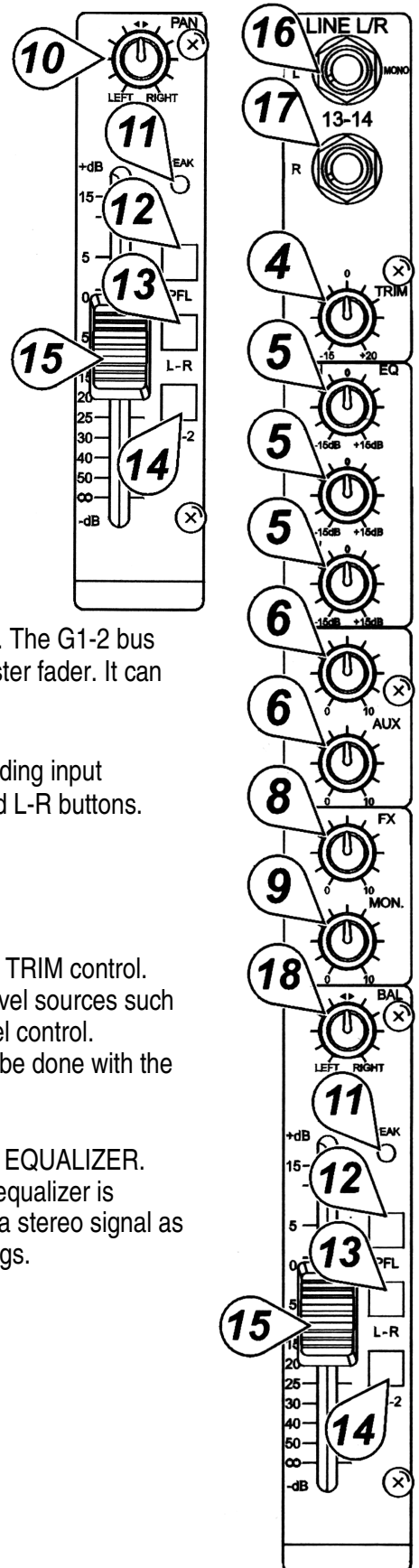
When the L-R switch is depressed, the post-fader channel signal is fed to the master L-R faders.

14. G1-2 Selection Switch

This switch enables to select the channel for routing to the G1-2 stereo bus, controlled by the master G1-2 fader. This signal is post-fader and the stereo placement is adjusted by the PAN control. The G1-2 bus offers you a second stereo submix with its own stereo G1-2 submaster fader. It can be used as a convenient mixing aid both live and in the studio.

15. Channel FADER

This fader allows users to adjust the signal level from the corresponding input channel that is to be sent to the destinations selected by the 1-2 and L-R buttons.



b. Stereo Input

4. TRIM

The stereo TRIM control operates in the same manner as the mono TRIM control. The stereo inputs are designed for any line level signal. Most line level sources such as MIDI instruments and effects units will have their own output level control. However, any added adjustment necessary for proper levelling can be done with the TRIM control.

5. EQUALIZER

The stereo EQUALIZER operates in the same manner as the mono EQUALIZER. The left and right signals will be affected equally. Using one stereo equalizer is generally preferable to using two mono equalizers when equalizing a stereo signal as it avoids possible discrepancies between the left and the right settings.

6. AUX SEND 1, 2

Same function as for the mono channel.

8. FX Control

Same function as for the mono channel.

9. MON Control

Same function as for the mono channel.

11. PEAK LED

Same function as for the mono channel.

12. PFL Switch

Same function as for the mono channel.

13. L-R Selection Switch

Same function as for the mono channel.

14. G1-2 Selection Switch

Same function as for the mono channel.

15. Channel FADER

Same function as for the mono channel.

16.L (MONO) LINE Input

On the stereo input channels, the ¼" line inputs are designed for stereo or mono line level signals such as those from a keyboard, drum machine, CD player or sampler. However, these inputs can also be used as standard mono line inputs by connecting the signal to the L (MONO) line in. This signal will be routed equally to the BAL control and the left and right outputs in the same way as the standard line input channels. For the stereo line inputs the mono channel PAN control (10) is replaced by the BALANCE control (18).

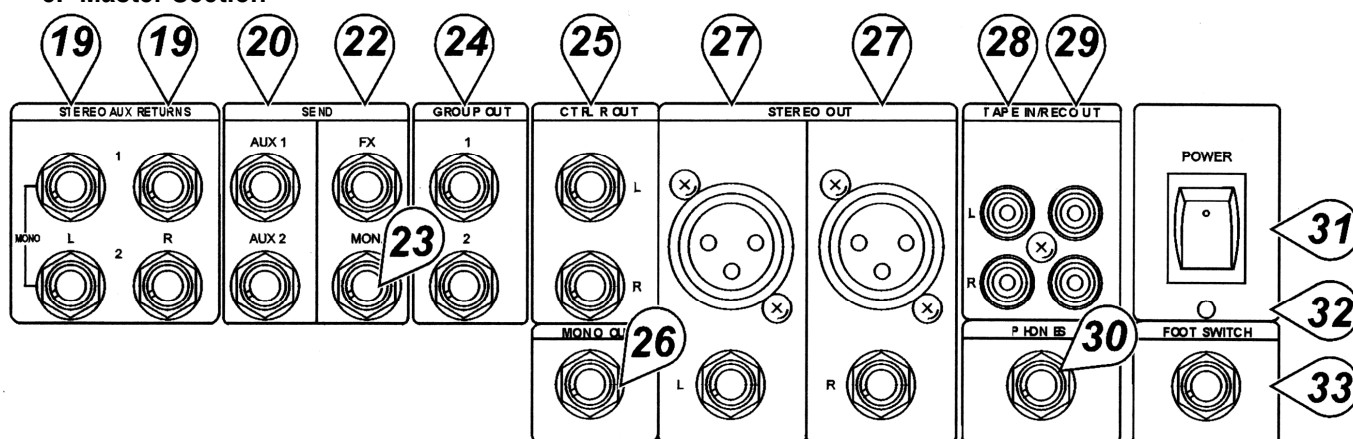
17.R LINE Input

When using stereo input channels as stereo input channels, the left signal should be connected to the L input and the right signal to the R input. These signals will be routed to the AUX, EQ and channel FADER controls equally, and will retain their stereo separation. The AUX, EQ, BAL and channel FADER controls all operate similarly to those on the mono input channels. When a stereo signal is put into a stereo input channel, these controls will affect the left and right signals equally. The stereo line input jacks are ¼" TRS balanced phone jacks (tip = +, ring = -, sleeve = ground).

18.BAL Control

For a mono input to the L (MONO) input the function of the control is the same as the PAN controls (10) of the mono channels. However, when a channel is run in stereo, this control functions as a BALANCE control, determining the relative balance of the left and right channel signals being sent to the left and right MASTER MIX buses. For example, with the BALANCE control turned fully clockwise, only the right portion of the channel's stereo signal will be routed to the MASTER MIX. The BALANCE also determines the relative amount of left and right channel signals being sent to buses G1 and G2 respectively when the G1-2 selection switch is depressed.

c. Master Section



19.STEREO AUX RETURNS (left/mono, right)

The AUX RETURN jacks are the mono or stereo returns for AUX 1 and 2. If you connect a signal to the left/mono return jack only, the AUX RETURN will operate in mono and the signal will be routed to the respective AUX RETURN controls (37) and then mixed into the left and right MAIN MIX STEREO outputs (27) and/or G1-G2 outputs (24), depending on whether you selected either or both outputs with the L-R (40) or AUX RETURN G1-2 (41) switches.

20.AUX SENDS

AUX SEND 1 and 2 are the outputs for the signals sent from the AUX SEND controls (6). They are ¼" unbalanced phone jacks (tip = +, sleeve = ground). AUX 1 is pre-fader and AUX 2 is post-fader.

22.FX SEND

These ¼" TS outputs are the final output from the EFX send mixing bus. This feed may be used to connect an external digital effects processor or even to an amplifier and speakers depending on your desired settings. They are ¼" unbalanced phone jacks wired: tip = +, sleeve = ground.

23.MON SEND

This monitor jack is the output for the signals sent from the channel MON control (9). This is a ¼" unbalanced phone jack wired: tip = +, sleeve = ground.

24.G1-2 OUT

A channel's output will be routed to the G1-2 GROUP OUTS (24) by depressing the G1-2 selection switch (14). These outputs are 1/4" TRS balanced phone jacks wired: tip = +, ring = -, sleeve = ground.

25.CTRL R OUT

The L-R control room outputs can be connected to an amplifier to power stereo control room (or other) monitor speakers and are 1/4" unbalanced phone jacks wired: tip = +, sleeve = ground.

26.MONO OUT

This jack outputs a monaural mix of the stereo signal from the ST bus. The level for this output is controlled by the MONO fader in the master control block. The output is a mix of the ST bus's L and R signals. This is best suited for use with a mono sound system or for the addition of a subwoofer to your set of speakers, adding much more punch to low frequencies. This is a 1/4" unbalanced phone jack wired: tip = +, sleeve = ground.

27.STEREO OUT

The stereo outputs consist of both left (L) and right (R) balanced XLRs, wired: pin 1 = ground, pin 2 = hot +, pin 3 = cold -, and 1/4" unbalanced phone jacks wired: tip = +, sleeve = ground.

28.TAPE IN

These jacks will accept the signal from an external device with a stereo output such as a cassette recorder.

29.REC OUT

The REC outputs also provide an output of the MASTER MIX. These outputs are RCA jacks and designed primarily for inputs to tape recorders, etc.

30.PHONES OUT

The PHONES output will feed headphones and is a 1/4" TRS jack, wired as tip = left signal, ring = right signal, sleeve = ground.

31.MAIN POWER Switch

This switch is used to turn the mixer on or off. Make sure to turn all level controls down before activating.

32.POWER ON LED

This LED will light when the mixer is on.

33.FOOTSWITCH Jacks

Connect the footswitch to the mixer through this jack. The footswitch is used to turn the digital effects processor on or off. The 1/4" TRS (stereo) plug should be wired: tip = FX 1, ring = FX 2, sleeve = ground.

34.GROUP Controls

These two faders control the final level of the signals sent to the main L and R outputs.

35.MONO FADER

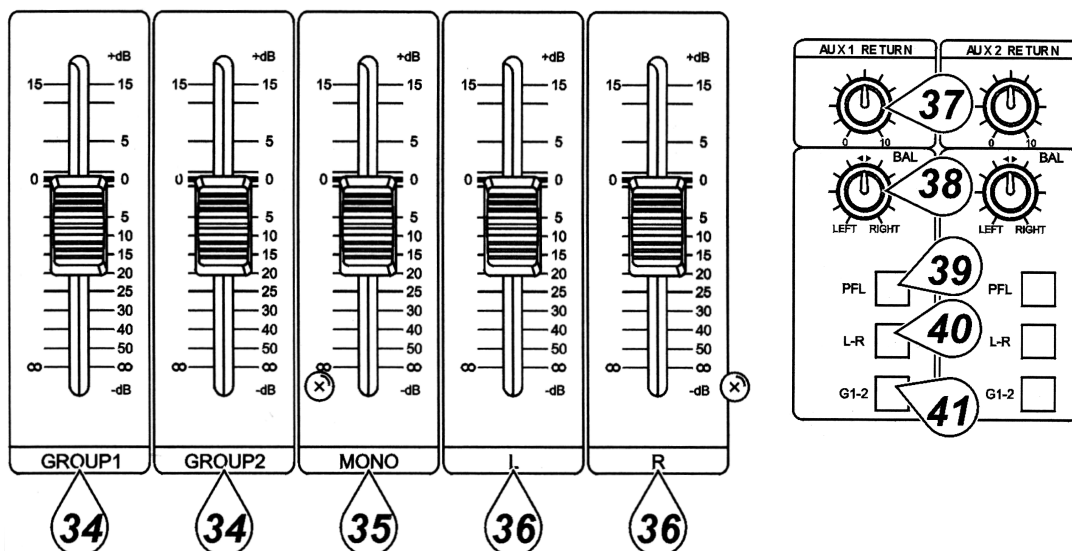
This fader adjusts the signal level feeding from the ST bus into the MONO output jack.

36.L/R MASTER FADERS

These two faders control the final level of the signals sent to the main L and R outputs.

37.AUX RETURN

These controls adjust the signal level of audio fed through the stereo AUX RETURN inputs.



38. AUX RETURN BAL Controls

Use these controls to adjust the balance of the AUX RETURN signal.

39. AUX RETURN PFL Selection Switch

The PFL (Pre-Fader Listen) switch enables monitoring the mono signal of any channel(s) selected (button depressed) at nominal levels through the headphones or control room monitor outputs.

40. AUX RETURN L-R Selection Switch

When the L-R switch is depressed, the left and right return signals will be routed to the RETURN LEVEL controls (37) and mixed into the left and right stereo (27).

41. AUX RETURN G1-2 Selection Switch

When the L-R switch is depressed, the left and right return signals will be routed to the RETURN LEVEL controls (37) and mixed into the G1-2 OUT (24)

42. TAPE LEVEL Control

This control is used to adjust the level of tape input signals that will be sent to the main mix.

43. PHONES/CTRL ROOM

The level of the selected signals is adjusted with this control and routed to both the CTRL R OUT (25) and PHONES OUT (30).

44. MONITOR Selection Switches (PFL, L-R, G1-2)

This mixer allows you to monitor singly the L-R main mix, the G1-2 group mix or the pre-fader PFL signal by selecting one of the appropriate switches.

45. PHANTOM POWER ON/OFF Switch

When using condenser microphones, +48VDC can be switched on or off to the XLR microphone inputs for all mono channels. When the switch is in the ON position, +48VDC will be provided between pins 2 and 3 of all mono microphones XLR input connectors.

It is safe to connect balanced dynamic microphones or line level devices even if this switch is on.

Connecting unbalanced devices or devices whose transformers are centre-grounded will cause hum or malfunction. Shorting the +48VDC can also damage your mixer. Mute the monitors or PA speakers when turning the phantom power on or off.

46. PHANTOM POWER LED

This red LED lights when the phantom power is turned on.

47. AUX SEND 1-2

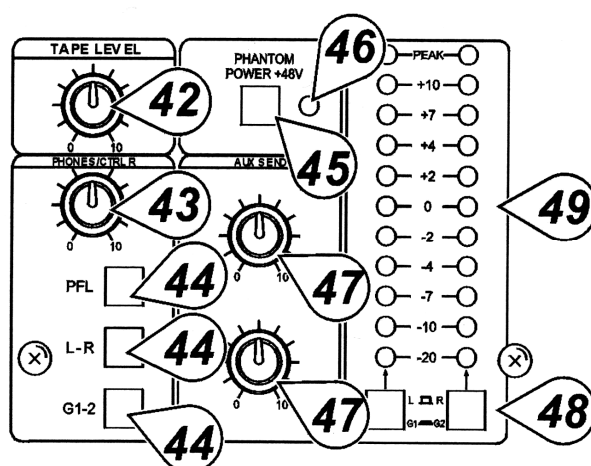
These controls will alter the signal level being sent to the auxiliary mixing buses 1 and 2, the signal of which is suitable for connecting stage monitors allowing you to listen to the music being played.

48. METER Selection Switches

The VU-METER (49) can be selected with these switches to display the output level or both the G1 and G2 levels.

49. VU-METER

This VU-meter consists of green, yellow and red LEDs, including a PEAK indicator, showing levels between -20dBu and +10dBu.



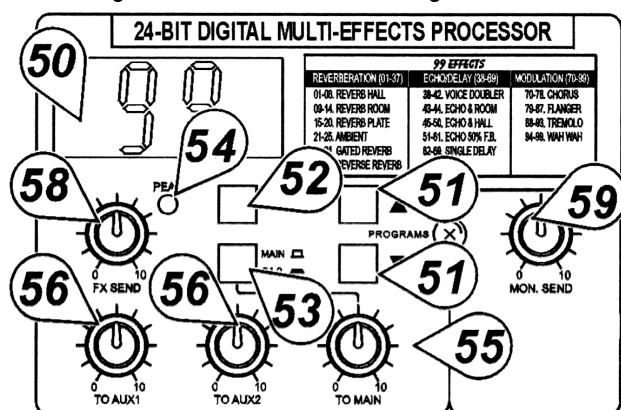
d. Digital Effects Section

50. 7-Segment LED DISPLAY

The 2-digit digital display indicates the selected preset. If the sound is muted, the current displayed number will be flashing.

51. ▲ / ▼ Buttons

Select your program using these two buttons.



52.ON Switch

This switch turns the corresponding digital effect on or off.

53.MAIN/G1-2 Switch

This switch allows you to send the signal from the digital effect mixing bus either to your main mix or to your G1-2.

54.CLIP Indicators

Located within the digital effects display, the CLIP LED will light up shortly before excessive signals are dynamically clipped. If the CLIP LED lights up too often, it may be advisable to turn down one or all FX controls on the input channels to ensure the signal level is not too high.

55.TO MAIN Control

This control adjusts the level of audio to be sent from the digital effects mixing bus to the main mixing.

56.TO AUX 1-2

These controls alter the level of audio that is sent from the digital effects processor to the corresponding auxiliary mixing buses.

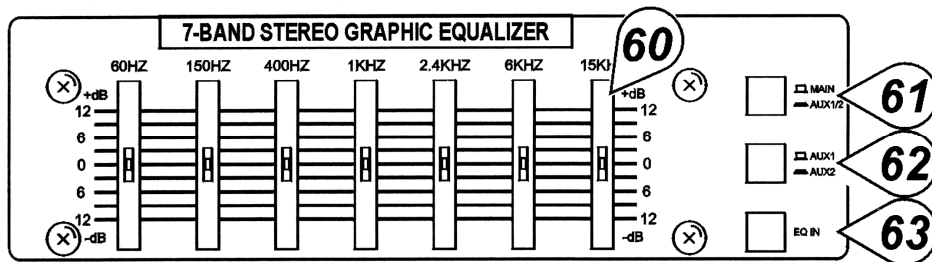
58.FX SEND MASTER Control

This control adjusts the final level of the FX mixing bus, the audio of which is sent to the FX SEND output.

59.MON SEND Control

This control adjusts the final level of the MON mixing bus, the audio of which is sent to the MON SEND output.

e. Graphic Equalizer Section



60.GRAPHIC EQUALIZER

This stereo 7-band graphic equalizer allows you to adjust the frequency response of a signal with a maximum of ± 12dB of signal boost or cut for each of the frequencies.

61.MAIN/AUX 1-2

This switch allows you to add EQ either to your main mix or to your AUX 1-2.

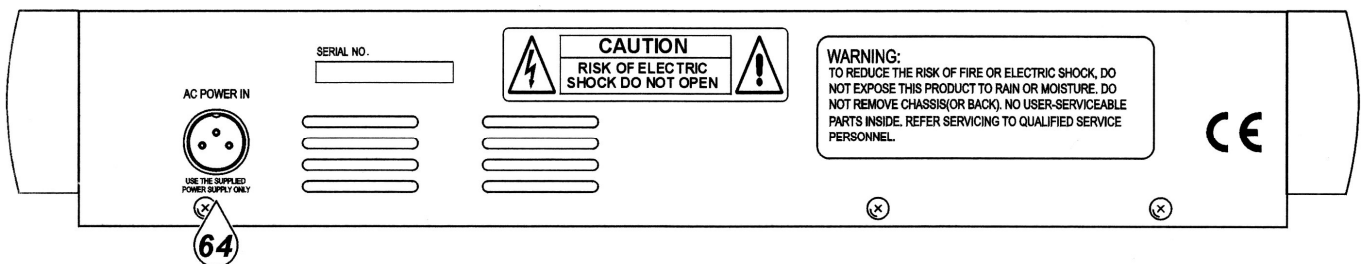
62.AUX 1-2 Switch

This switch alternates the use of the equalizer between the use of the AUX 1 bus and AUX 2 bus signals.

63.EQ IN Switch

In the UP position the EQ section is bypassed and there is no effect on any output.

f. Rear Panel



64.AC POWER IN

Connect the included power supply cord on the rear of the console.

4. Technical Specifications

INPUT

Input	Connector	Input Impedance	Nominal Level	Max. Level
MIC MONO	XLR	> 1.3k Ω	+ 2dBm	+ 14dBm
LINE MONO	1/4" TRS	> 10k Ω	+ 4dBm	+ 22dBm
LINE STEREO	1/4" TRS	> 10k Ω	+ 4dBm	+ 22dBm
TAPE IN	RCA	> 10k Ω	+ 2dBm	+ 22dBm
AUX RETURN	1/4" TS	> 10k Ω	+ 4dBm	+ 22dBm
INSERT IN	1/4" TRS	> 10k Ω	+ 4dBm	+ 22dBm

OUTPUT

Output	Connector	Input Impedance	Nominal Level	Max. Level
STEREO OUT L/R	1/4" TRS	120 Ω	+ 4~6dBm	+ 22dBm
MONO OUT	1/4" TS	120 Ω	+ 4~6dBm	+ 22dBm
G1-2 OUT	1/4" TRS	120 Ω	+ 4~6dBm	+ 22dBm
AUX SEND 1-2	1/4" TS	120 Ω	+ 4~6dBm	+ 20dBm
FX SEND 1-2	1/4" TS	120 Ω	+ 4~6dBm	+ 20dBm
MONITOR SEND	1/4" TS	120 Ω	+ 4~6dBm	+ 20dBm
INSERT OUT	1/4" TRS	120 Ω	+ 4~6dBm	+ 22dBm
CTRL ROOM OUT	1/4" TS	120 Ω	+ 4~6dBm	+ 22dBm
REC OUT	RCA	1k Ω	+ 4~6dBm	+ 22dBm
PHONES	1/4" TRS	100 Ω	-	40mW * 2

FREQUENCY RESPONSE

Any Input to Any Output 20Hz~20kHz +/- 3dB @ 0dBm

TOTAL HARMONIC DISTORTION

Any Input to Any Output 0.02%, 20Hz~20kHz @ 1kHz, 0dBm

INPUT CHANNEL EQUALIZATION

High Shelving 12kHz, +/- 15dB, Q fixed at 2 oct.
 Mid Bell 2.5kHz, +/- 15dB, Q fixed at 1 oct.
 Low Shelving 80kHz, +/- 15dB, Q fixed at 2 oct.

GAIN CONTROL RANGE

Input Channel Trim Control stop to stop, MIC +10dB~+60dB, LINE +10dB~+40dB
 Channel/Master/Mono/G1-2 Faders $-\infty$ to +15dB
 Aux Send/Aux Master Send off~+15dB
 FX Send/FX Master Send off~+15dB
 Monitor Send/Monitor Master Send off~+15dB
 Aux Return off~+15dB

CROSSTALK @ 1kHz

Adjacent Channel Inputs -78dB~-68dB
 Input to Output -78dB~-68dB

INTERNAL DIGITAL EFFECTS

Effect 1 99 programs w/ MUTE and CLIP indicator
 Effect 2 99 programs w/ MUTE and CLIP indicator
 Footswitch

HUM AND NOISE

20Hz~20kHz, Rs = 150Ω, input TRIM @ 0dB, input sensitivity @ -60dB
 Equivalent Input Noise -129dBm
 Residual Output Noise < 90dBm

LEVEL METERS

Four 11-point LED meters (stereo L-R, group 1-2)
 Peak Point red indicator
 +10, +7, +4 and +2 Points yellow indicators
 0, -2, -4, -7, -10 and -20 green indicators

PHANTOM POWER

+48VDC, globally selected

POWER SUPPLY

120VAC/60Hz or 230VAC/50Hz

POWER CONSUMPTION

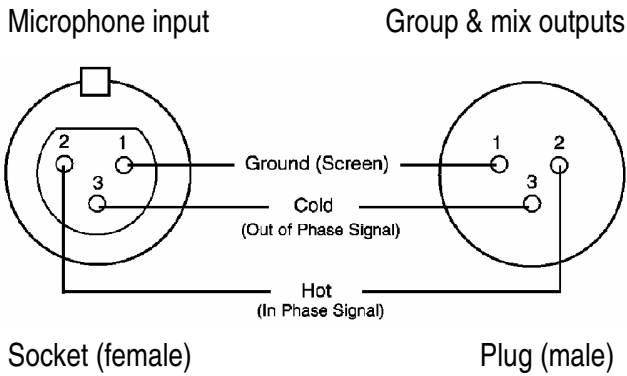
40W, external PSU

DIMENSIONS AND WEIGHT

496 x 132 x 494mm, 5.85kg

5. Connections

Unbalanced equipment may be connected to balanced inputs/outputs. Either use mono 1/4" jacks or connect the ring and sleeve of TRS jacks. Never use unbalanced XLR connectors on the MIC input connectors when using the phantom power supply.



	<p>Headphones</p> <ol style="list-style-type: none"> 1. Tip = left signal 2. Ring = right signal 3. Sleeve = ground 4. Tip 5. Ring 6. Sleeve 7. Strain relief clamp 		<p>Unbalanced mono 1/4"</p> <ol style="list-style-type: none"> 1. Tip = signal 2. Sleeve = ground 3. Tip 4. Sleeve 5. Strain relief clamp 		<p>Balanced stereo 1/4"</p> <ol style="list-style-type: none"> 1. Tip = hot (+) 2. Ring = cold (-) 3. Sleeve = ground 4. Tip 5. Ring 6. Sleeve 7. Strain relief clamp
--	---	--	---	--	---

**For more info concerning this product, please visit our website www.hqpower.com.
 The information in this manual is subject to change without prior notice.**

PROMIX1212E

CONSOLE DE MIXAGE 12 CANAUX - PROCESSEUR MULTI-EFFETS NUMÉRIQUE

1. Introduction

Aux résidents de l'Union européenne

Des informations environnementales importantes concernant ce produit



Ce symbole sur l'appareil ou l'emballage indique que l'élimination d'un appareil en fin de vie peut polluer l'environnement.

Ne pas jeter un appareil électrique ou électronique (et des piles éventuelles) parmi les déchets municipaux non sujets au tri sélectif ; une déchèterie traitera l'appareil en question.

Renvoyer les équipements usagés à votre fournisseur ou à un service de recyclage local.

Il convient de respecter la réglementation locale relative à la protection de l'environnement.

En cas de questions, contacter les autorités locales pour élimination.

Nous vous remercions de votre achat ! Lire la présente notice attentivement avant la mise en service de l'appareil. Si l'appareil a été endommagé pendant le transport, ne pas l'installer et consulter votre revendeur.

2. Prescriptions de sécurité



Être lors de l'installation : toucher un câble sous tension peut causer des électrochocs mortels.



Protéger l'appareil contre la pluie et l'humidité.



Débrancher le câble d'alimentation avant d'ouvrir le boîtier.

- La garantie ne s'applique pas aux dommages survenus en négligeant certaines directives de cette notice et votre revendeur déclinera toute responsabilité pour les problèmes et les défauts qui en résultent.
- Confier l'installation et l'entretien à un personnel qualifié.
- Ne pas brancher l'appareil après exposition à des variations de température. Attendre jusqu'à ce que l'appareil ait atteint la température ambiante avant de l'utiliser afin d'éviter des dommages.
- Éviter d'exposer l'appareil à des liquides et veillez à ne placer aucun objet contenant un liquide sur l'appareil.
- Les dommages occasionnés par des modifications à l'appareil par le client, ne tombent pas sous la garantie.
- Garder votre **PROMIX1212E** hors de la portée de personnes non qualifiées et de jeunes enfants.

3. Description

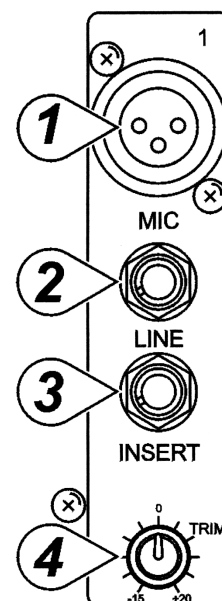
a. Mono Input

1. Entrée MIC

Chaque canal d'entrée mono offre une entrée symétrique pour microphone à partir d'une connexion XLR et dispose d'une alimentation fantôme de +48V pour des microphones à condensateur. La connexion XLR est configurée comme suit : broche 1 (masse), broche 2 (positif (+)) et broche 3 (négatif (-)).

2. Entrée en ligne LINE

L'entrée LINE a été conçue pour accepter des signaux à niveau en ligne symétriques ou asymétriques comme ceux d'un clavier, d'un module de batterie électronique ou d'échantillonneurs. Il y a suffisamment de gain pour y brancher de faibles signaux comme ceux d'un microphone asymétrique ou d'une guitare. Si vous désirez connecter un signal symétrique à l'entrée LINE, câblez une fiche TRS de 1/4" comme suit : la pointe (positif (+)), la bague (négatif (-)) et le manche (masse).



REMARQUE : Ne connecter que l'entrée MIC ou l'entrée LINE d'un canal. Ne jamais connecter les deux aux deux canaux simultanément.

3. INSERT

Ces canaux mono sont équipés de jacks d'entrée pour la connexion de processeurs de signaux externes comme p.ex. des compresseurs, des réducteurs de souffle ou autres, aux canaux d'entrée individuels. Les jacks INSERT sont pratiques pour le traitement dynamique ou l'égalisation d'un canal. Le traitement dynamique, contrairement à la réverbération qui est généralement ajoutée au signal direct, s'applique sur le signal en entier. Ces jacks peuvent également être utilisés comme sortie directe. Pour ce faire, insérer une fiche ¼" à moitié dans le jack pour que la pointe de la fiche se connecte à la bague du jack.

4. TRIM

Le réglage TRIM ajuste la sensibilité à l'entrée (le gain du canal) des entrées MIC et LINE sur les canaux d'entrée mono. Il est possible de régler de telle façon à accepter des signaux d'entrée de sources diverses, du signal fort d'un clavier ou d'un module de batterie électronique au signal faible d'un microphone. Cette étendue élimine la commutation MIC / LINE. Vous obtiendrez le meilleur rapport S/B et étendue dynamique en réglant le TRIM de chaque canal séparément de manière à ce que la LED DE SURCHARGE (« PEAK ») (11) du canal ne s'illumine que occasionnellement.

REMARQUE : Positionnez ce réglage complètement à gauche lors de la (dé)connexion d'une source de signal.

5. ÉGALISATION

Tous les canaux d'entrée mono sont munis d'une égalisation 3 bandes. Les potentiomètres des aigus (HIGH) et des graves (LOW) ont une fréquence de 12kHz et de 80Hz respectivement. Le potentiomètre des moyens a une réponse en crête, avec un Q fixé à 2 octaves et une fréquence de 2.5kHz. Les trois bandes ont une intensité d'augmentation et de diminution jusqu'à 15dB avec un déclic central pour « off ».

6. AUX SEND 1, 2

Les deux AUX SEND 1 et 2 sont mono et post-EQ, et sont utilisés pour régler le niveau du signal vers les AUX.

- AUX SEND 1 est pré-atténuation et le signal vers AUX 1 ne sera pas influencé par un réglage de la glissière.
- AUX SEND 2 est post-atténuation et le signal vers AUX 1 sera influencé par un réglage de la glissière.

Utilisez le réglage AUX 2 (post-atténuation) pour tous les effets pour que la réverbération réponde aux réglages de la glissière et que la réverbération soit coupée lorsque vous positionner la glissière sur la valeur minimale. Utilisez l'AUX SEND 2 pour alimenter les entrées d'un enregistreur multipiste ou toute application en ligne. Pour des applications de repérage ou de balance, utilisez l'AUX 1 pré-atténuation.

8. Réglage FX

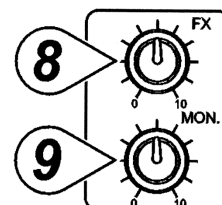
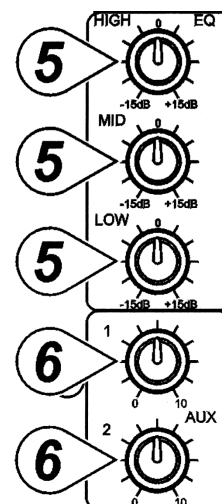
Ce bouton permet de régler le signal vers les sorties FX et le processeur à effets numérique interne. Ce signal peut s'utiliser avec des processeurs d'effets externes (ce signal peut ensuite être renvoyé à la table de mixage via l'entrée retour AUX), ou comme sortie auxiliaire additionnelle.

9. Réglage MON

Permet l'alimentation d'une enceinte de retour sur scène via le jack de sortie MON.

10. Réglage PAN

Le PAN positionne le signal de sortie du canal dans le champ stéréo du mixage général. Ses spécifications éliminent les décalages de niveau de volume, qu'il soit situé sur un côté, au centre ou entre-deux. Le canal PAN détermine également la position stéréo d'un signal envoyé vers G1-2 lorsque G1-2 est sélectionné (14).



11. LED de SURCHARGE

La LED de SURCHARGE (PEAK) s'allume dès que le canal atteint la surcharge. Il détecte le niveau de crête après l'EQ et la LED s'allume à partir de 3dB avant la saturation pour avertir que le signal approche la surcharge. Veillez à ce que la LED ne s'allume pas excepté de manière intermittente pendant une prise ou le mixage. Si la LED s'allume régulièrement, diminuez le gain d'entrée avec le potentiomètre TRIM (4).

12. Interrupteur de sélection PFL

Cet interrupteur PFL (Pre-Fader Listen) permet d'écouter un signal mono sélectionné (bouton enfoncé) à l'aide d'écouteurs ou depuis des sorties de monitoring. Le signal est post-égalisation et indépendant de l'atténuateur de la voie.

13. Interrupteur de sélection L-R

Le signal post-atténuation est envoyé vers les glissières maîtres L-R lorsque l'interrupteur est enfoncé.

14. Interrupteur de sélection G1-2

Cet interrupteur permet de sélectionner le canal qui sera envoyé et contrôlé par la glissière maître G1-2. Le signal est post-atténuateur et l'emplacement stéréo se règle à l'aide du régulateur PAN. Les jacks G1-2 offrent un second mixage stéréo avec glissière stéréo G1-2.

15. GLISSIÈRE

Cette glissière règle le niveau du signal envoyé vers 1-2 ou L-R.

b. Entrée stéréo

4. TRIM

Le régulateur TRIM du canal stéréo fonctionne de la même manière que celui du canal mono.

5. ÉGALISEUR

L'égaliseur du canal stéréo fonctionne identiquement à celui du canal mono. Les signaux de gauche et de droite seront influencés de manière équivalente. Il est préférable d'utiliser un égaliseur stéréo à deux égaliseurs mono avec un signal stéréo afin d'éviter des différences de réglage entre les égaliseurs.

6. AUX SEND 1, 2

Fonction identique à celle du canal mono.

8. Réglage FX

Fonction identique à celle du canal mono.

9. Réglage MON

Fonction identique à celle du canal mono.

11. LED de SURCHARGE

Fonction identique à celle du canal mono.

12. Interrupteur PFL

Fonction identique à celle du canal mono.

13. Interrupteur de sélection L-R

Fonction identique à celle du canal mono.

14. Interrupteur de sélection G1-2

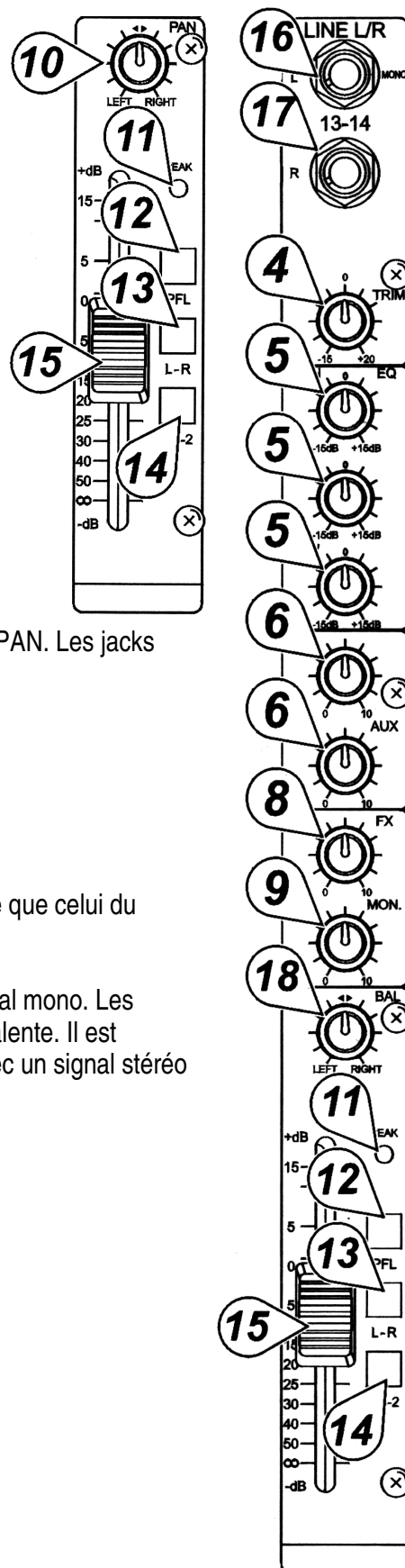
Fonction identique à celle du canal mono.

15. GLISSIÈRE

Fonction identique à celle du canal mono.

16. Entrée L (MONO) LINE

Les entrées en ligne 1/4" sont conçues pour accueillir des signaux stéréo ou mono comme p.ex. les signaux d'un clavier, d'une boîte à rythme, d'un lecteur CD ou d'un échantillonneur. Cette entrée peut également être utilisée comme entrée mono. Le signal sera envoyé de manière égale vers les réglages BAL, et les



sorties gauche et droite. En configuration stéréo, le régulateur mono PAN (10) est remplacé par le régulateur BALANCE (18).

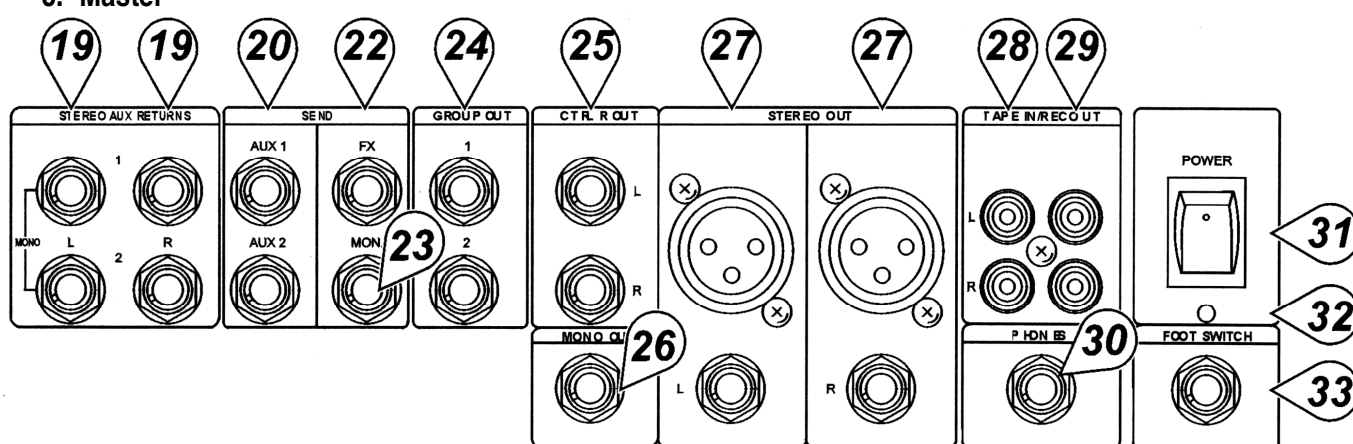
17. Entrée R LINE

En configuration stéréo, raccordez le signal de gauche à l'entrée L et le signal de droite à l'entrée R. Ces signaux seront envoyés vers les régulateurs AUX, EQ FADER tout en gardant la séparation stéréo. Les régulateurs AUX, EQ, BAL et FADER fonctionnent identiquement à ceux du canal mono. Les jacks d'entrée stéréo sont des jacks TRS ¼" symétriques (pointe = +, bague = -, manche = masse).

18. BAL Control

Cette fonction est identique aux réglages PAN (10) des canaux mono si vous connecter un signal mono à l'entrée L (MONO). Cependant, si un canal fonctionne en stéréo, ce réglage fonctionne de manière identique au réglage BALANCE, déterminant la balance relative entre les signaux de gauche et de droite routés vers les bus MASTER de gauche et de droite. Exemple : avec le réglage BALANCE complètement vers la droite vous routerez uniquement la partie de droite d'un signal stéréo vers le MASTER MIX. Le réglage BALANCE détermine également le niveau des signaux gauche et droite envoyés vers G1 et G2 lorsque l'interrupteur G1-2 est enfoncé.

c. Master



19. STEREO AUX RETURNS (gauche/mono, droite)

Les jacks AUX RETURN sont les retours mono ou stéréo pour AUX 1 et 2. En connectant un signal qu'au jack gauche/mono, AUX RETURN fonctionnera en mono, le signal sera envoyé vers les réglages AUX RETURN (37) et ensuite mixé dans les sorties MAIN MIX STEREO gauche et droite (27) et/ou les sorties G1-G2 (24), selon que vous ayez sélectionné une ou deux sorties à l'aide des interrupteurs L-R (40) ou AUX RETURN G1-2 (41).

20. AUX SENDS

Les sorties AUX SEND 1 et 2 sont les sorties des signaux envoyés depuis les réglages AUX SEND (6). Les sorties sont des jacks ¼" asymétriques (pointe = +, manche = masse). AUX 1 est pré-atténuation, AUX 2 est post-atténuation.

22. FX SEND

Cette sortie TS de ¼" est la sortie finale du bus de mixage EFX. Elle peut être utilisée pour la connexion un processeur d'effets numériques externe, voire un amplificateur et ses enceintes, selon la configuration souhaitée. Les sorties sont des jacks ¼" asymétriques : pointe = +, manche = masse.

23. MON SEND

Ce jack de monitoring constitue la sortie des signaux envoyés depuis le réglage MON (9). La sortie est un jack ¼" asymétrique : pointe = +, manche = masse.

24. G1-2 OUT

Le signal de sortie d'une piste sera envoyé vers les sorties G1-2 GROUP OUTS (24) en enfonçant l'interrupteur G1-2 (14). Les sorties sont des jacks ¼" TRS symétriques : pointe = +, bague = -, manche = masse.

25. CTRL R OUT

Les sorties L-R peuvent être connectées à un amplificateur afin d'alimenter un système de sono de façade stéréo (ou autre). Ces sont des jacks ¼" asymétriques : pointe = +, manche = masse.

26. MONO OUT

Sortie mono d'un signal stéréo provenant du bus ST. Réglez le niveau de la sortie à l'aide de la glissière MONO dans la section master. Le signal est l'ensemble des signaux stéréo L et R. Cette sortie convient pour un usage avec un système sonore mono ou lorsque l'on veut rajouter un caisson subwoofer au système de haut-parleurs afin d'augmenter les caractéristiques percussives d'un son. La sortie est un jack ¼" asymétrique : pointe = +, manche = masse.

27. STEREO OUT

Les sorties stéréo sont constituées de prises gauche (L) et droite (R) de type XLR (broche 1 = masse, broche 2 = point chaud +, broche 3 = point froid -) et de jacks ¼" asymétriques (pointe = +, manche = masse).

28. TAPE IN

Ces entrées acceptent le signal d'un appareil externe à sortie stéréo comme p.ex. un magnétophone à cassettes.

29. REC OUT

Les sorties REC vous procurent une sortie MASTER MIX. Ces sorties sont des sorties RCA et ont été conçues pour des entrées de magnétoscope à cassettes, etc.

30. PHONES OUT

Cette sortie alimente le casque d'écoute et est un jack ¼" TRS : la pointe = signal de gauche, bague = signal de droite, manche = masse.

31. INTERRUPTEUR D'ALIMENTATION

Enfoncez cet interrupteur pour allumer ou pour éteindre la console. Veillez à placer les réglages de niveau de volume au minimum.

32. LED D'ALIMENTATION

Cette LED s'allume lorsque la console est activée.

33. Prise pour INTERRUPTEUR AU PIED

Raccordement de l'interrupteur au pied. L'interrupteur au pied sera utilisé pour (dé)brancher le processeur d'effets numériques. L'entrée est un jack ¼" TRS stéréo : pointe = FX 1, bague = FX 2, manche = masse.

34. Glissières GROUP

Ces deux glissières servent à régler le niveau final du signal envoyé vers les sorties L et R.

35. Glissière MONO

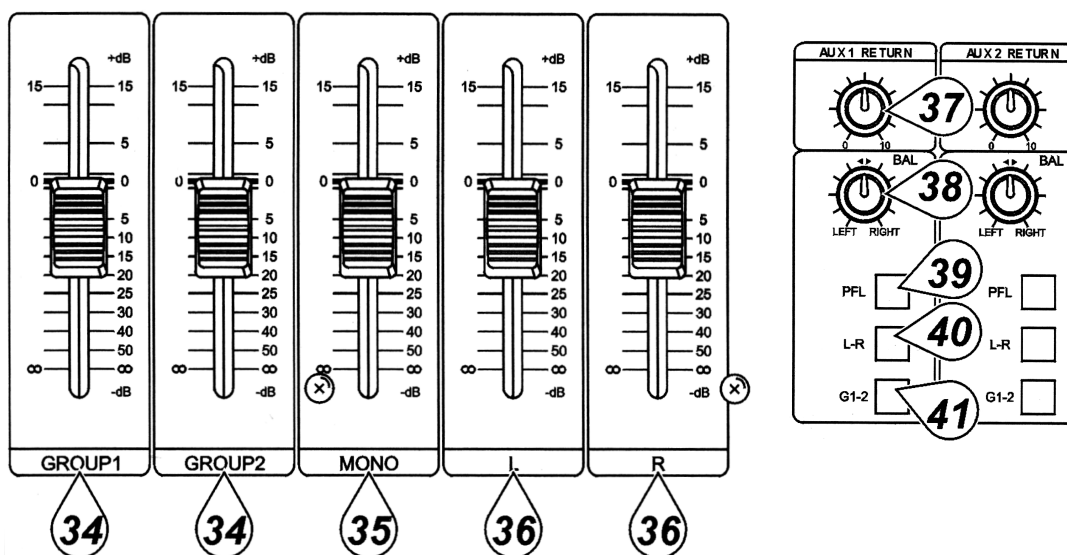
Cette glissière règle le signal provenant du bus et envoyé vers la sortie MONO.

36. Glissières L/R MASTER

Ces deux glissières servent à régler le niveau final du signal envoyé vers les sorties L et R.

37. AUX RETURN

Réglages du signal audio envoyé vers les entrées stéréo AUX RETURN.



38. Réglage AUX RETURN BAL

Réglez la balance du signal AUX RETURN à l'aide de ce bouton.

39. Sélecteur AUX RETURN PFL

Cet interrupteur PFL (Pre-Fader Listen) permet d'écouter un signal mono sélectionné (bouton enfoncé) à l'aide d'écouteurs ou depuis des sorties de monitoring.

40. Sélecteur AUX RETURN L-R

Lorsque l'interrupteur L-R est enfoncé les signaux de retour gauche et droit seront envoyés vers les réglages RETURN LEVEL (37) et mixés dans les sorties stéréo gauche et droite (27).

41. Sélecteur AUX RETURN G1-2

Lorsque l'interrupteur L-R est enfoncé les signaux de retour gauche et droit seront envoyés vers les réglages RETURN LEVEL (37) et mixés dans les sorties G1-2 OUT (24)

42. Réglage TAPE LEVEL

Permet de régler le niveau de signaux d'entrée qui seront envoyés vers le mixage principal.

43. PHONES/CTRL ROOM

Le niveau des signaux sélectionnés est réglé à l'aide de ce réglage et envoyé vers la sortie CTRL R OUT (25) et la sortie PHONES OUT (30).

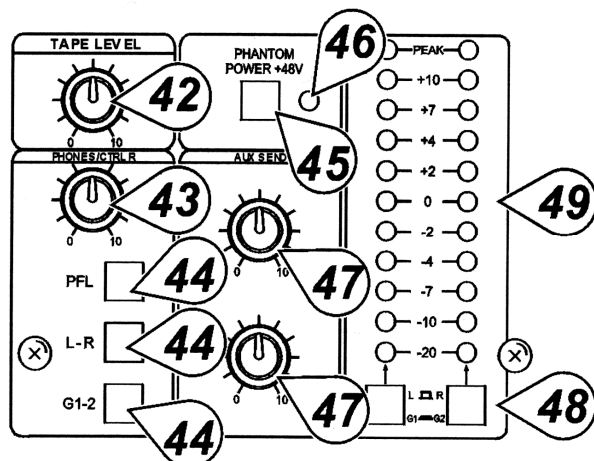
44. Sélecteurs MONITOR (PFL, L-R, G1-2)

Cette console vous permet un monitoring individuel du mixage principal L-R, du mixage G1-2 ou du signal PFL pré-atténué en enfonçant un des interrupteurs.

45. Interrupteur marche/arrêt PHANTOM POWER

L'utilisation de microphones à condensateur nécessite une alimentation fantôme de +48VCC pour les fiches XLR.

Bien que cela ne pose guère de problème de brancher des microphones dynamiques symétriques ou des appareils de niveau de ligne lorsque le commutateur est enfoncé, la connexion de matériel asymétrique ou d'appareils dont le transformateur a une masse au centre risque d'être source de ronflement ou de dysfonctionnement. Un court-circuit de l'alimentation 48VCC peut également endommager la table de mixage. Lors de la (dés)activation, veillez à d'abord étouffer les retours de scènes ou les enceintes.



46. LED D'ALIMENTATION FANTÔME

La LED rouge s'allume lorsque l'alimentation fantôme est activée.

47. AUX SEND 1-2

Ces réglages influencent le signal envoyé vers les bus de mixage 1 et 2, le signal approprié pour la connexion de retours de façade.

48. Sélecteurs de VUMÈTRE

Sélectionnez le VUMÈTRE (49) indiquant les niveaux G1 et G2 à l'aide de ces sélecteurs.

49. VUMÈTRE

Ce vumètre est constitué de LED vertes, jaunes et rouges, et inclut une indication de surcharge. Le vumètre indique un niveau entre -20dBu et +10dBu.

d. Effets numériques

50. AFFICHEUR LED 7 segments

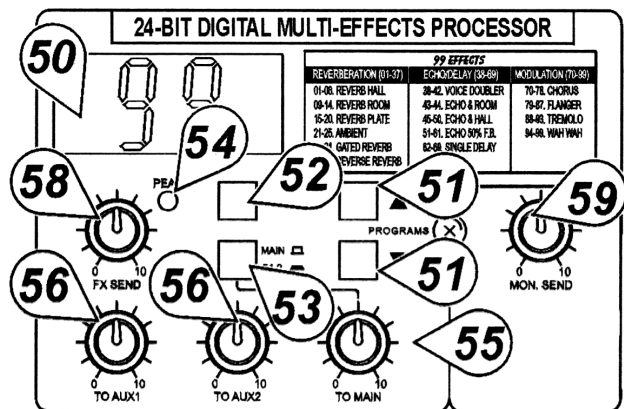
L'afficheur numérique à 2 chiffres indique la présélection sélectionnée. L'affichage clignote lorsque le son est étouffé.

51. Boutons ▲ / ▼

Sélectionnez le programme avec ces 2 boutons.

52. Interrupteur MARCHE/ARRÊT

Cet interrupteur (dés)active l'effet numérique.



53. Interrupteur MAIN/G1-2

Cet interrupteur vous permet d'envoyer le signal provenant du canal d'effets numériques vers le mixage principal ou vers G1-2.

54. Indicateurs de SATURATION

Cette LED s'allume brièvement avant que la saturation dynamique du signal. Il est conseillé de baisser les réglages FX des canaux d'entrées lorsque cette LED s'allume régulièrement afin que le signal ne soit pas trop élevé.

55. Réglage TO MAIN

Permet de régler le niveau de signaux audio qui seront envoyés vers le mixage principal.

56. TO AUX 1-2

Ces réglages influencent le niveau d'audio provenant du processeur d'effets numériques envoyé vers les canaux de mixage auxiliaires.

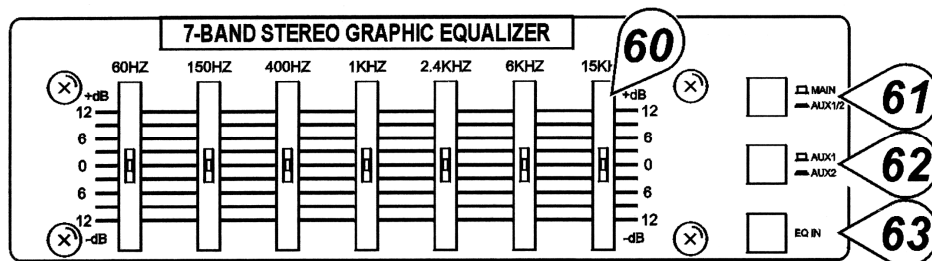
58. Réglage FX SEND MASTER

Ce réglage permet d'ajuster le niveau final du canal de mixage FX. L'audio sera envoyé vers la sortie FX SEND.

59. Réglage MON SEND

Ce réglage permet d'ajuster le niveau final du canal de mixage MON. L'audio sera envoyé vers la sortie MON SEND.

e. Égaliseur graphique



60. ÉGALISEUR GRAPHIQUE

Cet égaliseur graphique 7 bandes vous permet de peaufiner la réponse en fréquence d'un signal (± 12 dB).

61. MAIN/AUX 1-2

Ajoutez de l'égalisation au mixage final ou aux canaux AUX 1-2.

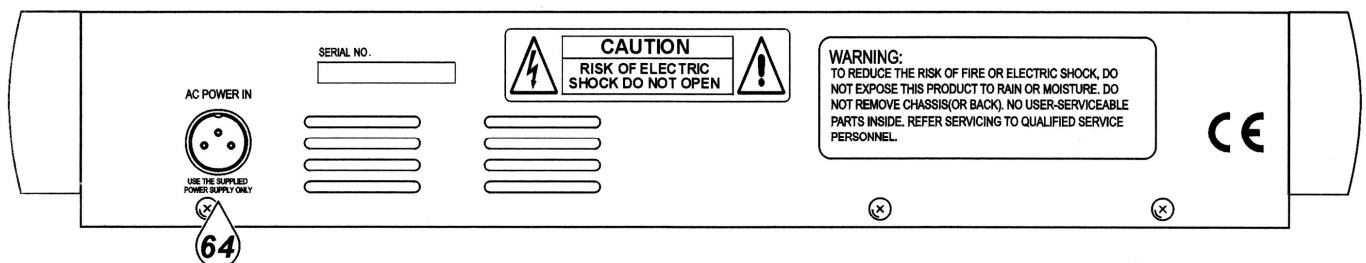
62. Interrupteur AUX 1-2

Cet interrupteur commute l'égaliseur entre les canaux AUX 1 et AUX 2.

63. Interrupteur EQ IN

Enfoncez cet interrupteur pour activer l'égaliseur graphique.

f. Panneau arrière



64. PRISE D'ENTRÉE D'ALIMENTATION

Insérez le cordon d'alimentation dans cette prise.

4. Spécifications techniques

ENTRÉE

Entrée	Connexion	Impédance entrée	Niveau nominal	Niveau max.
MIC MONO	XLR	> 1.3k Ω	+ 2dBm	+ 14dBm
LINE MONO	1/4" TRS	> 10k Ω	+ 4dBm	+ 22dBm
LINE STEREO	1/4" TRS	> 10k Ω	+ 4dBm	+ 22dBm
TAPE IN	RCA	> 10k Ω	+ 2dBm	+ 22dBm
AUX RETURN	1/4" TS	> 10k Ω	+ 4dBm	+ 22dBm
INSERT IN	1/4" TRS	> 10k Ω	+ 4dBm	+ 22dBm

SORTIE

Sortie	Connexion	Impédance entrée	Niveau nominal	Niveau max.
STEREO OUT L/R	1/4" TRS	120 Ω	+ 4~6dBm	+ 22dBm
MONO OUT	1/4" TS	120 Ω	+ 4~6dBm	+ 22dBm
G1-2 OUT	1/4" TRS	120 Ω	+ 4~6dBm	+ 22dBm
AUX SEND 1-2	1/4" TS	120 Ω	+ 4~6dBm	+ 20dBm
FX SEND 1-2	1/4" TS	120 Ω	+ 4~6dBm	+ 20dBm
MONITOR SEND	1/4" TS	120 Ω	+ 4~6dBm	+ 20dBm
INSERT OUT	1/4" TRS	120 Ω	+ 4~6dBm	+ 22dBm
CTRL ROOM OUT	1/4" TS	120 Ω	+ 4~6dBm	+ 22dBm
REC OUT	RCA	1k Ω	+ 4~6dBm	+ 22dBm
PHONES	1/4" TRS	100 Ω	-	40mW * 2

RÉPONSE EN FRÉQUENCE

Entrée vers sortie 20Hz~20kHz +/- 3dB @ 0dBm

DISTORSION HARMONIQUE TOTALE

Entrée vers sortie 0.02%, 20Hz~20kHz @ 1kHz, 0dBm

ÉGALISATION DU CANAL D'ENTRÉE

Aigus 12kHz, +/- 15dB, Q fixé à 2 oct.
Moyens 2.5kHz, +/- 15dB, Q fixé à 1 oct.
Graves 80kHz, +/- 15dB, Q fixé à 2 oct.

GAMME DU NIVEAU DE GAIN

Réglage TRIM du canal d'entrée stop à stop, MIC +10dB~+60dB, LINE +10dB~+40dB
Glissières canal/master/mono/G1-2 - ∞ to +15dB
Aux send/aux master send off~+15dB
FX send/FX master send off~+15dB
Monitor send/monitor master send off~+15dB
Aux return off~+15dB

CROSSTALK @ 1kHz

Entrées des canaux -78dB~-68dB
Entrée vers sortie -78dB~-68dB

EFFETS NUMÉRIQUES INTERNES

Effet 1 99 programmes avec indications MUTE et CLIP
Effet 2 99 programmes avec indications MUTE et CLIP
Interrupteur au pied

RONFLEMENT ET PARASITES

20Hz~20kHz, Rs = 150Ω, TRIM entrée @ 0dB, sensibilité à l'entrée @ -60dB

Parasites à l'entrée -129dBm

Parasites à la sortie < 90dBm

VUMÈTRES

Quatre vumètres LED à 11 niveaux (stéréo L-R, groupe 1-2)

Crête LED rouge

+10, +7, +4 et +2 LED jaune

0, -2, -4, -7, -10 et -20 LED verte

ALIMENTATION FANTÔME

+48VCC

ALIMENTATION

120VCA/60Hz ou 230VCA/50Hz

CONSOMMATION

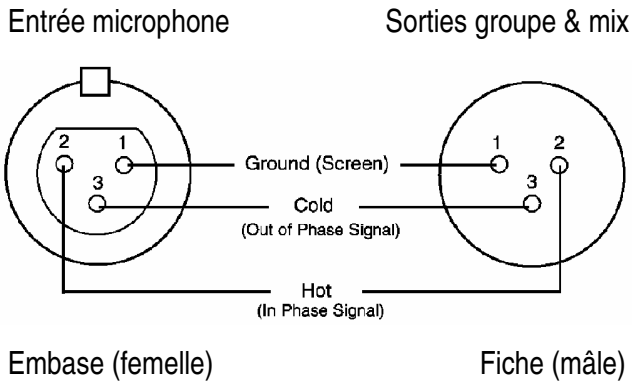
40W, adaptateur secteur externe

DIMENSIONS ET POIDS

496 x 132 x 494mm, 5.85kg

5. Raccordement

Il est possible de brancher des appareils asymétriques aux entrées/sorties symétriques. Connectez-les à l'aide de fiches mono 1/4" ou connectez la bague et le manche des fiches TRS. Ne branchez jamais des connecteurs XLR asymétriques aux entrées MIC si vous utilisez l'alimentation fantôme.



	<p>Casque d'écoute</p> <ol style="list-style-type: none"> 1. Pointe = signal de gauche 2. Bague = signal de droite 3. Manche = masse 4. Pointe 5. Bague 6. Manche 7. Étrier de retenue de câble 		<p>Fiches mono 1/4" asymétriques</p> <ol style="list-style-type: none"> 1. Pointe = signal 2. Manche = masse 3. Pointe 4. Manche 5. Étrier de retenue de câble 		<p>Fiche stéréo 1/4" symétriques</p> <ol style="list-style-type: none"> 1. Pointe = point chaud (+) 2. Bague = point froid (-) 3. Manche = masse 4. Pointe 5. Bague 6. Manche 7. Étrier de retenue de câble
--	---	--	--	--	---

Pour plus d'information concernant cet article, visitez notre site web www.hqpower.com.

Toutes les informations présentées dans cette notice peuvent être modifiées sans notification préalable.

PROMIX1212E

12-KANAALS MENGTAFFEL - DIGITALE MULTI-EFFECTPROCESSOR

1. Inleiding

Aan alle ingezetenen van de Europese Unie Belangrijke milieu-informatie betreffende dit product



Dit symbool op het toestel of de verpakking geeft aan dat, als het na zijn levenscyclus wordt weggeworpen, dit toestel schade kan toebrengen aan het milieu.

Gooi dit toestel (en eventuele batterijen) niet bij het gewone huishoudelijke afval; het moet bij een gespecialiseerd bedrijf terechtkomen voor recyclage.

U moet dit toestel naar uw verdeler of naar een lokaal recyclagepunt brengen.

Respecteer de plaatselijke milieuwetgeving.

Hebt u vragen, contacteer dan de plaatselijke autoriteiten inzake verwijdering.

Dank u voor uw aankoop! Lees deze handleiding grondig voor u het toestel in gebruik neemt. Werd het toestel beschadigd tijdens het transport, installeer het dan niet en raadpleeg uw dealer.

2. Veiligheidsinstructies



Wees voorzichtig bij de installatie: raak geen kabels aan die onder stroom staan om dodelijke elektroshocks te vermijden.



Bescherm dit toestel tegen regen en vochtigheid.



Verzekert u ervan dat het toestel niet aangesloten is op een stroombron alvorens het te openen.

- De garantie geldt niet voor schade door het negeren van bepaalde richtlijnen in deze handleiding en uw dealer zal de verantwoordelijkheid afwijzen voor defecten of problemen die hier rechtstreeks verband mee houden.
- Laat dit toestel installeren en onderhouden door een geschoolde technicus.
- Om beschadiging te vermijden, zet u het toestel best niet aan onmiddellijk nadat het werd blootgesteld aan temperatuurschommelingen. Wacht tot het toestel op kamertemperatuur gekomen is.
- Houd het toestel uit de buurt van vloeistoffen en plaats geen drank op het mengpaneel.
- Schade door wijzigingen die de gebruiker heeft aangebracht aan het toestel vallen niet onder de garantie.
- Houd dit toestel uit de buurt van kinderen en onbevoegden.

3. Omschrijving

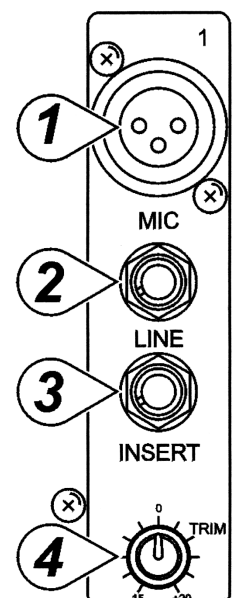
a. Mono-ingang

1. MIC-ingang

Elk mono ingangskanaal bestaat uit een gebalanceerde microfooningang via de XLR-aansluiting en beschikt over een schakelende fantoomvoeding (+48V) voor condensatormicrofoons. De XLR jackaansluiting is geconfigureerd als: pin 1 (aarding), pin 2 (positief (+)) en pin 3 (negatief (-)).

2. LINE-ingang

De LINE-ingang is ontworpen om gebalanceerde en niet-gebalanceerde lijnsignalen te ontvangen zoals die van een keyboard, drumcomputer of sampler. Er is voldoende versterking aanwezig op de lijningang om zelfs zwakkere signalen zoals die van een ongebalanceerde microfoon of een gitaarsignaal te ontvangen. Wenst u een gebalanceerd signaal aan de lijningang te sluiten, bedraad een 1/4" TRS (stereo) plug als volgt: tip (positief (+)), de ring (negatief (-)) en de huls (aarding).



OPMERKING: U kunt of de MIC-ingang of de LINE-ingang aansluiten. Sluit nooit beide tegelijkertijd op eenzelfde kanaal.

3. INSERT

Deze mono ingangskanalen dienen voor het aansluiten van signaalprocessors zoals compressors, ruisonderdukkers of effecttoestellen. Deze ingangen zijn nuttig wanneer u dynamic processing of nivellering aan de mix wenst toe te voegen. In tegenstelling tot galm, dat meestal aan het droge signaal wordt toegevoegd, wordt dynamic processing aan het gehele signaal toegevoegd. Deze ingangen kunnen eveneens als directe uitgang gebruikt worden door de 1/4" jack halfweg in de ingang te schuiven zodat de tip van de plug contact maakt met de ring van de ingang.

4. TRIM-regeling

Met de TRIM-regeling regelt u de ingangsgevoeligheid (kanaalversterking) van de MIC-ingang en de LINE-ingang van de mono ingangskanalen. Regel deze knop zodat u hetingangssignaal van verscheidene bronnen kunt ontvangen, van de sterke uitgangssignalen van een keyboard of drumcomputer tot de zwakke signalen van een microfoon. Het grote bereik maakt MIC / LINE-schakeling overbodig. De beste S/R-verhouding en dynamisch bereik verkrijgt u wanneer u de TRIM-regeling op elk kanaal afzonderlijk regelt zodanig dat de PEAK-led (11) maar af en toe oplicht.

OPMERKING: Draai deze regelknop volledig naar links voordat u een signaal aansluit of ontkoppelt.

5. EQUALIZER

Alle mono ingangskanalen beschikken over een driebands equalizer. De bovenste (HIGH) en onderste (LOW) potmeters hebben een frequentie van 12kHz respectievelijk 80Hz. De regelknop voor de middentonen heeft een piekrespons met een Q van 2 octaven en een frequentie van 2.5kHz. Alle drie banden hebben tot 15dB versterking of verzwakking met een centernok voor 'off'.

6. AUX SEND 1, 2

Zowel AUX SEND 1 als 2 zijn mono en post-EQ. Zij regelen het signaalniveau naar de AUX-bussen.

- AUX SEND 1 is prefader en het signaal naar AUX 1 blijft onveranderd indien de fader verplaatst wordt.
- AUX SEND 2 is postfader en het signaal naar AUX 1 wijzigt bij een verplaatsing van de fader.

Gebruik AUX SEND 2 om de ingangen van een meerkanaals opnemer te voeden of voor een niet-gebalanceerde lijntoepassing. Voor cuetoe toepassingen en monitoring gebruikt u best prefader AUX 1.

8. FX-regeling

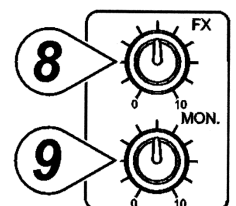
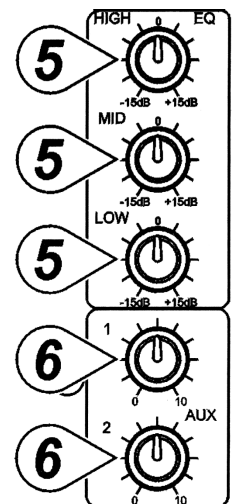
Hiermee regelt u het signaalniveau naar de FX-uitgangen en de ingebouwde digitale effectprocessor. Het FX-sig naal kan samen met een externe signaalprocessor (dit signaal kan naar het mengpaneel teruggestuurd worden via de AUX returngang) of eenvoudigweg als bijkomende uitgang gebruikt worden.

9. MON-regeling

Met de MON-regeling regelt u via de MON-uitgang de externe monitormix van de muzikanten.

10. PAN-regeling

De PAN-regeling plaatst de uitgang van een kanaal in het stereobeeld van de mix. Het toestel zorgt ervoor dat er zich geen discrepanties in het niveau voordoen, of een signaal nu langs een kant, centraal of ergens tussenin staat. De PAN-regeling bepaalt eveneens de plaatsing van het stereosignaal naar bussen G1-2 indien geselecteerd (14).



11. PEAK-aanduiding

De PEAK-aanduiding licht op wanneer een kanaal overstuurt. Het toestel neemt een piek waar na de EQ, licht op 3dB voor de vervorming en waarschuwt u wanneer het signaal wordt overstuurd. Zorg dat de PEAK-aanduiding niet oplicht uitgenomen af en toe tijdens een mix. Licht de aanduiding op een constante basis, verminder de ingangsversterking door middel van de TRIM-regeling (4).

12. Selectieschakelaar PFL

Met deze schakelaar (PFL = Pre-Fader Listen) kunt u het monosignaal van om het even welk geselecteerd kanaal via de hoofdtelefoon of de monitoruitgangen afluisteren. Het signaal is post-EQ en onafhankelijk van de fader.

13. Selectieschakelaar L-R

Het postfadersignaal wordt naar de L-R masterfaders gestuurd indien deze schakelaar is ingedrukt.

14. Selectieschakelaar G1-2

Gebruik deze schakelaar om te selecteren naar welk kanaal (G1 of 2 door masterfader 1 of 2) u het signaal stuurt. Dit signaal postfader en de plaatsing in het stereosignaal wordt via de PAN-regeling bijgestuurd. Bussen G1-2 bieden een tweede stereosubmix met elk een stereo submasterfader. Dit is handig zowel in de studio als live.

15. FADER

Deze fader wordt gebruikt om het signaalniveau van het overeenstemmende kanaal (geselecteerd via knoppen 1-2 en L-R) bij te sturen.

b. Stereo-ingang

4. TRIM

Deze regeling heeft dezelfde functie als de regeling op de mono-ingang.

5. EQUALIZER

De stereo-equalizer functioneert op identieke wijze als die van het monokanaal. De signalen links en rechts worden gelijkmatig gewijzigd. Bij het nivelleren van een stereosignaal is het aan te raden een enkele stereo-equalizer te gebruiken in plaats van twee mono-equalizers om discrepanties tussen links en rechts te vermijden.

6. AUX SEND 1, 2

Functie is identiek aan die van het monokanaal.

8. FX-regeling

Functie is identiek aan die van het monokanaal.

9. MON-regeling

Functie is identiek aan die van het monokanaal.

11. PEAK-aanduiding

Functie is identiek aan die van het monokanaal.

12. Selectieschakelaar PFL

Functie is identiek aan die van het monokanaal.

13. Selectieschakelaar L-R

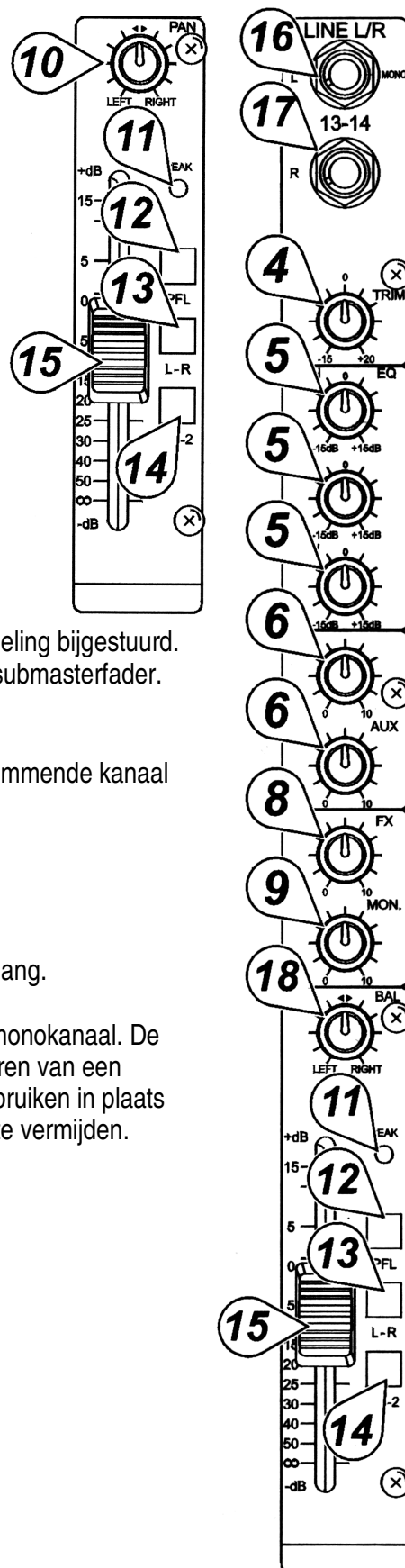
Functie is identiek aan die van het monokanaal.

14. Selectieschakelaar G1-2

Functie is identiek aan die van het monokanaal.

15. FADER

Functie is identiek aan die van het monokanaal.



16.L (MONO) LINE-ingang

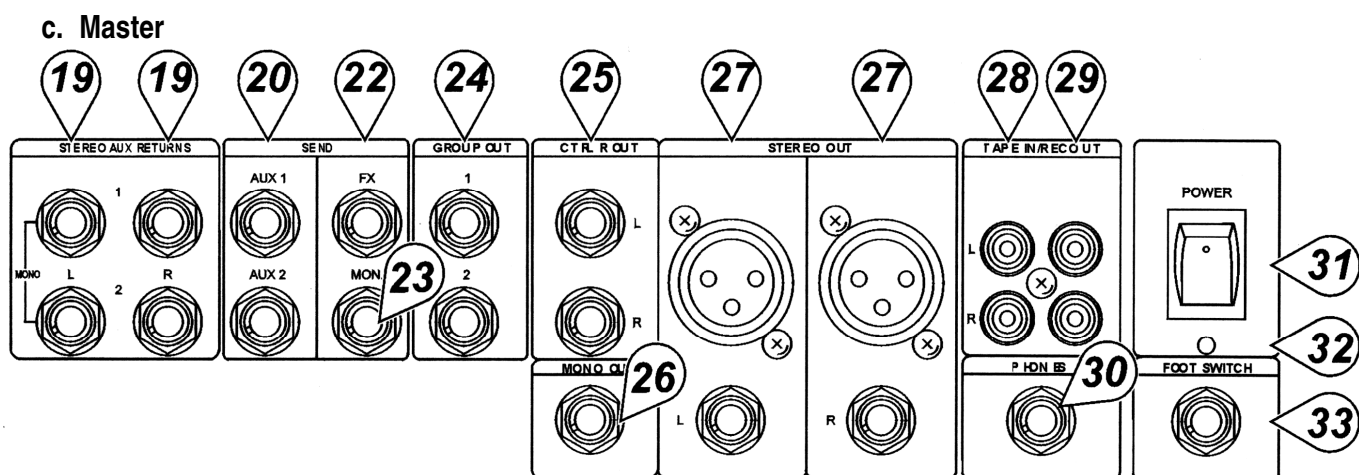
De stereo-ingangen zijn bestemd voor mono- of stereosignalen zoals deze afkomstig van keyboards, drumcomputers, cd-spelers of samplers. Deze ingangen kunnen echter ook gebruikt worden als standaard mono-ingangen door het signaal met de L (MONO) lijningang aan te sluiten. Dit signaal wordt dan naar de BAL-regelaar en de uitgangen links en rechts gestuurd, net zoals de standaard lijningangen. Bij stereosignalen is de PAN-regeling (10) van het monokanaal door de BALANCE-regeling (18) vervangen.

17.R LINE-ingang

Met stereo-ingangen die ook als stereo-ingangen worden gebruikt, koppelt u het linkersignaal aan de L-ingang en het rechtersignaal aan de R-ingang. Deze signalen worden gestuurd naar AUX, EQ en FADER, en behouden de stereo. AUX, EQ, BAL en FADER-regelingen functioneren identiek als de regelingen op het monokanaal. Wanneer u een stereosignaal aan een stereo-ingang koppelt, zullen links en rechts evenredig worden gewijzigd. De stereo-ingangen zijn gebalanceerde ¼" TRS-ingangen (tip = +, ring = -, huls = aarding).

18.BAL-regeling

Deze regeling is identiek aan die van de PAN-regeling (10) indien u een monosignaal aan L (MONO) koppelt. Wanneer u een stereosignaal gebruikt, functioneert deze echter als een BAL-regeling die de balans links/rechts regelt naar de MASTER MIX links/rechts. Voorbeeld: draai deze regeling volledig naar rechts om enkel het rechtse signaal van het stereosignaal naar de MASTER MIX te sturen. Deze regeling bepaalt ook de hoeveelheid linkse en rechtse signalen naar G1 en G2 (schakelaar G1-2 ingedrukt).



19.STEREO AUX RETURNS (links/mono, rechts)

Deze ingangen zijn mono of stereoreturns voor AUX 1 en 2. Indien u een signaal aan de ingang links/mono koppelt, functioneert AUX RETURN in mono en zal het signaal naar de respectievelijke AUX RETURN-regelingen (37) gestuurd worden, waarna het gemixt wordt in de uitgangen MAIN MIX STEREO links/rechts (27) en/of uitgangen G1-G2 (24), afhankelijk van uw selectie (L-R (40) of AUX RETURN G1-2 (41)).

20.AUX SENDS

AUX SEND 1 en 2 zijn signaaluitgangen naar AUX SEND (6). Het zijn niet-gebalanceerde ¼" uitgangen (tip = +, huls = aarding). AUX 1 is prefader en AUX 2 is postfader.

22.FX SEND

Deze niet-gebalanceerde ¼" TS-uitgang (tip = +, huls = aarding) vormt de laatste uitgang van de EFX. Ze kan worden gebruikt om een externe digitale effectprocessor of een versterker met luidsprekers aan te sluiten, afhankelijk van uw instellingen.

23.MON SEND

Deze niet-gebalanceerde ¼" uitgang (tip = +, huls = aarding) is de signaaluitgang voor de MON-regeling (9).

24.G1-2 OUT

Druk selectieschakelaar G1-2 (14) in om een signaal naar G1-2 GROUP OUTS (24) te sturen. Deze gebalanceerde ¼" TRS-uitgangen zijn als volgt geconfigureerd: tip = +, ring = -, huls = aarding.

25. CTRL R OUT

Deze uitgangen kunt aan een versterker koppelen en zo monitorluidsprekers (of andere) voeden. Dit zijn niet-gebalanceerde ¼" uitgangen: tip = +, huls = aarding.

26. MONO OUT

Mono-uitgang van een stereosignaal afkomstig van een ST-bus. Regel dit signaal met de master MONO-fader. Het signaal is een mix van de signalen links en rechts en is het beste geschikt voor gebruik met monoapparatuur of wanneer u een subwoofer aan uw soundsystem wenst toe te voegen. Dit is een niet-gebalanceerde ¼" uitgang: tip = +, huls = aarding.

27. STEREO OUT

Stereo-uitgangen bestaande uit gebalanceerde XLR-aansluitingen links (L) en rechts (R): pin 1 = aarding, pin 2 = hot +, pin 3 = cold -, en niet-gebalanceerde ¼" jackuitgangen: tip = +, huls = aarding.

28. TAPE IN

Deze jacks ontvangen het signaal van een externe toestel met stereo uitgang zoals een cassetterecorder.

29. REC OUT

De REC-uitgangen leveren een uitgang voor de MASTER MIX. Deze uitgangen zijn van het RCA-type en zijn ontworpen als ingangen voor bandrecorders enz.

30. PHONES OUT

De PHONES-uitgang voedt de hoofdtelefoon en is een 1/4" TRS jack, met tip = links signaal, ring = rechts signaal, huls = aarding.

31. VOEDINGSSCHAKELAAR

Schakel het mengpaneel in of uit via deze schakelaar. Plaats eerst alle niveauregelingen op hun minimumstand.

32. VOEDINGSLED

Deze led licht op indien het mengpaneel is ingeschakeld.

33. Ingang VOETSCHAKELAAR

Koppel de voetschakelaar aan het mengpaneel via deze ingang. Met de voetschakelaar schakelt u de digitale effectprocessor in en uit. De ¼" stereo TRS-plug is als volgt geconfigureerd: tip = FX 1, ring = FX 2, huls = aarding.

34. GROUP-regelingen

Deze twee faders regelen het uiteindelijke signaalniveau gestuurd naar de uitgangen L en R.

35. MONOFADER

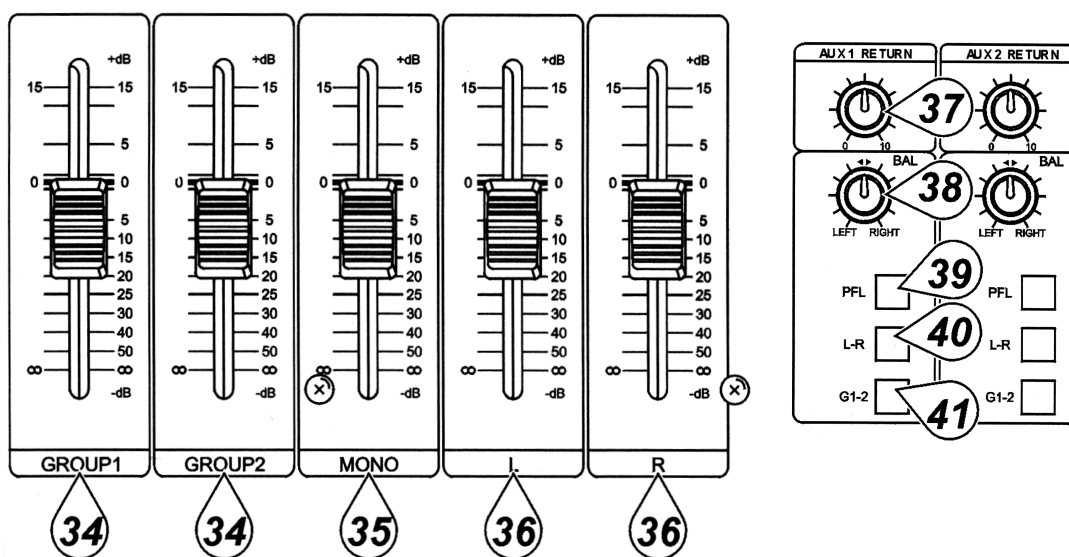
Deze fader regelt het signaalniveau afkomstig van de ST-bus naar de MONO-uitgang.

36. L/R MASTERFADER

Deze twee faders regelen het uiteindelijke signaalniveau gestuurd naar de hoofduitgangen L en R.

37. AUX RETURN

Deze knop regelt het audioniveau van de AUX RETURN stereo-ingangen.



38. AUX RETURN BAL

Gebruik deze regelknop om de balans van het AUX RETURN-signaal bij te regelen.

39. Selectieschakelaar AUX RETURN PFL

Met deze schakelaar (PFL = Pre-Fader Listen) kunt u het monosignaal van om het even welk geselecteerd kanaal via de hoofdtelefoon of de monitoruitgangen afluisteren. Het signaal is post-EQ en onafhankelijk van de fader.

40. Selectieschakelaar AUX RETURN L-R

Indien ingeschakeld, zullen de signalen links en rechts naar RETURN LEVEL-regelingen (37) gestuurd worden en gemixt in een linkse en rechtse stereo (27).

41. Selectieschakelaar AUX RETURN G1-2

Indien ingeschakeld, zullen de signalen links en rechts naar RETURN LEVEL-regelingen (37) gestuurd worden en gemixt in G1-2 OUT (24)

42. TAPE LEVEL

Gebruik deze knop om de hoeveelheidingangssignalen naar de hoofdmix bij te regelen.

43. PHONES/CTRL ROOM

Regel het signaalniveau met deze knop bij en verstuur naar zowel CTRL R OUT (25) als PHONES OUT (30).

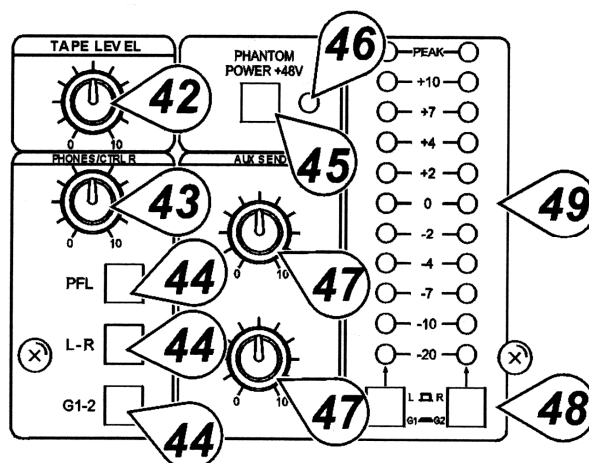
44. Selectieschakelaar MONITOR (PFL, L-R, G1-2)

Deze mengtafel laat een afzonderlijke monitoring van de L-R hoofdmix, de G1-2 groepmix of het prefader PFL-signaal toe via respectievelijke schakelaars.

45. AAN-UITSCHAKELAAR FANTOOMVOEDING

Gebruikt u condensatormicrofoons, dan kunt u +48VDC in- of uitschakelen. Wanneer de schakelaar op 'ON' staat, dan licht de led van de FANTOOMVOEDING (25) op en pinnen 2 en 3 van alle mono XLR-microfooningangen worden voorzien van een spanning van +48VDC.

U kunt gerust gebalanceerde dynamische microfoons of lijntoestellen aansluiten, ook al staat deze schakelaar op 'ON'. Sluit u niet-gebalanceerde toestellen of toestellen met een transformator met centrale aarding aan, dan kan dit brom of een slechte werking veroorzaken. Een kortsluiting van de +48VDC kan eveneens uw mengtafel beschadigen. Demp eerst de monitors of de PA-luidsprekers alvorens de fantoomvoeding van uw mengtafel in of uit te schakelen.



46. LED FANTOOMVOEDING

Deze rode led licht op wanneer de fantoomvoeding ingeschakeld is.

47. AUX SEND 1-2

Deze knoppen regelen het signaal naar de bijkomende bussen 1 en 2. Dit is handig voor monitoring via aangesloten podiumluidsprekers.

48. Selectieschakelaars METER

Selecteer de NIVEAUMETER (49) met deze schakelaars. Deze meters geven het uitgangsniveau of beide G1- G2-niveaus aan.

49. NIVEAUMETER

De niveaumeter bestaat uit groene, gele en rode leds, en een PEAK-aanduiding. De meter reikt van -20dBu tot +10dBu.

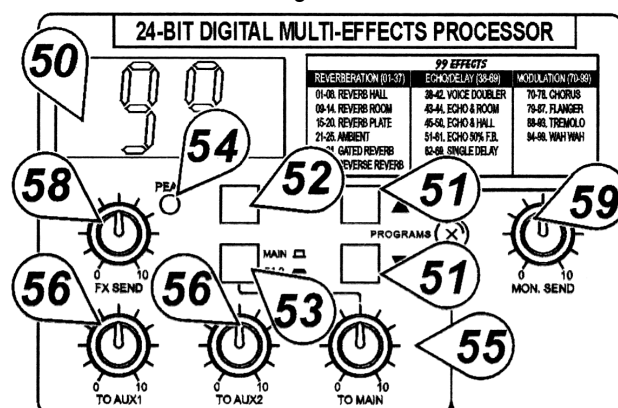
d. Digitale effecten

50. LED-SCHERM

Deze digitale display geeft het geselecteerde programma aan. De uitlezing knippert bij een gedempt geluidsniveau.

51. ▲ / ▼

Selecteer het programma met deze twee knoppen.



52. AAN-UITSCHAKELAAR

Schakel het digitale effect in of uit.

53. MAIN/G1-2

Met deze schakelaar kunt het digitale effectsignaal sturen naar de hoofdmix of G1-2.

54. CLIP-aanduiding

Deze led licht op wanneer het signaal overstuurt. Licht deze led regelmatig op, dan is het aan te raden om het signaalniveau te verminderen.

55. TO MAIN

Regelt het audioniveau van de digitale mix naar de hoofdmix.

56. TO AUX 1-2

Regelt het audioniveau afkomstig van de digitale effectprocessor naar de overeenkomstige bijkomende mixbussen.

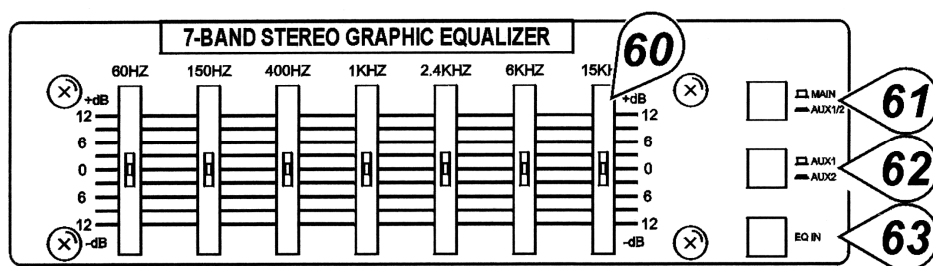
58. FX SEND MASTER

Regelt het uiteindelijke niveau van de FX-bus naar de FX SEND-uitgang.

59. MON SEND

Regelt het uiteindelijke niveau van de MON-bus naar de MON SEND-uitgang.

e. Grafische equalizer



60. GRAFISCHE EQUALIZER

Met deze grafische 7-band stereo-equalizer kunt u de frequentierespons van een signaal bijregelen (max. ± 12 dB voor elke frequentie).

61. MAIN/AUX 1-2

Selecteer waarop u de EQ wenst toe te passen (algemene mix of AUX 1-2).

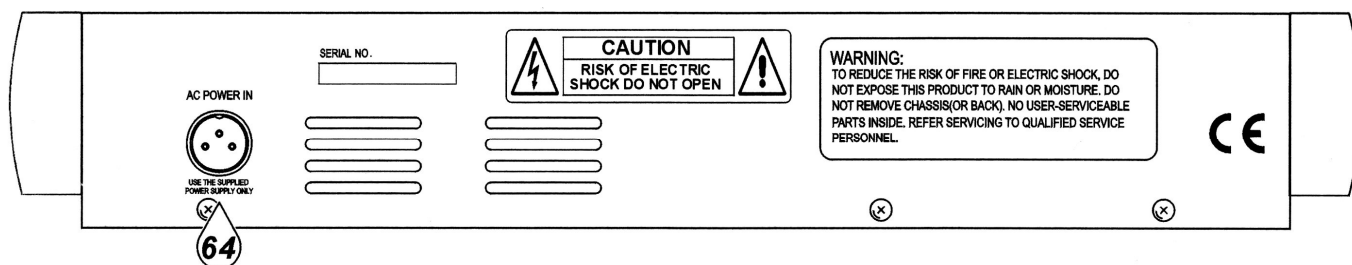
62. AUX 1-2

Wisselt de equalizer af tussen AUX 1 en AUX 2.

63. EQ IN

Bij het uitschakelen van deze knop overbrugt u de EQ. Geen enkele uitgang heeft bijgevolg een effect.

f. Achterpaneel



64. VOEDINGSINGANG

Verbind het netsnoer aan het toestel via deze voedingsingang.

4. Technische specificaties

INGANG

Ingang	Connector	Ingangsimpedantie	Nominaal niveau	Max. niveau
MIC MONO	XLR	> 1.3k Ω	+ 2dBm	+ 14dBm
LINE MONO	1/4" TRS	> 10k Ω	+ 4dBm	+ 22dBm
LINE STEREO	1/4" TRS	> 10k Ω	+ 4dBm	+ 22dBm
TAPE IN	RCA	> 10k Ω	+ 2dBm	+ 22dBm
AUX RETURN	1/4" TS	> 10k Ω	+ 4dBm	+ 22dBm
INSERT IN	1/4" TRS	> 10k Ω	+ 4dBm	+ 22dBm

UITGANG

Uitgang	Connector	Ingangsimpedantie	Nominaal niveau	Max. niveau
STEREO OUT L/R	1/4" TRS	120 Ω	+ 4~6dBm	+ 22dBm
MONO OUT	1/4" TS	120 Ω	+ 4~6dBm	+ 22dBm
G1-2 OUT	1/4" TRS	120 Ω	+ 4~6dBm	+ 22dBm
AUX SEND 1-2	1/4" TS	120 Ω	+ 4~6dBm	+ 20dBm
FX SEND 1-2	1/4" TS	120 Ω	+ 4~6dBm	+ 20dBm
MONITOR SEND	1/4" TS	120 Ω	+ 4~6dBm	+ 20dBm
INSERT OUT	1/4" TRS	120 Ω	+ 4~6dBm	+ 22dBm
CTRL ROOM OUT	1/4" TS	120 Ω	+ 4~6dBm	+ 22dBm
REC OUT	RCA	1k Ω	+ 4~6dBm	+ 22dBm
PHONES	1/4" TRS	100 Ω	-	40mW * 2

FREQUENTIERESPONS

Ingang naar uitgang 20Hz~20kHz +/- 3dB @ 0dBm

TOTALE HARMONISCHE OVERSTURING

Ingang naar uitgang 0.02%, 20Hz~20kHz @ 1kHz, 0dBm

EQUALIZER INGANGSKANAAL

Hoog 12kHz, +/- 15dB, Q vast op 2 octaven
Midden 2.5kHz, +/- 15dB, Q vast op 2 octaven
Laag 80kHz, +/- 15dB, Q vast op 2 octaven

VERSTERKINGSBEREIK

Trim-regeling ingangskanaal stop tot stop, MIC +10dB~+60dB, LINE +10dB~+40dB
Kanaal/master/mono/G1-2 faders $-\infty$ to +15dB
Aux send/aux master send off~+15dB
FX send/FX master send off~+15dB
Monitor send/monitor master send off~+15dB
Aux return off~+15dB

CROSSTALK @ 1kHz

Aangrenzende kanaalingangen -78dB~-68dB
Ingang naar uitgang -78dB~-68dB

INTERNE DIGITALE EFFECTEN

Effect 1 99 programma's met aanduiding voor MUTE en CLIP
Effect 2 99 programma's met aanduiding voor MUTE en CLIP
Voetschakelaar

BROM EN RUIS

20Hz~20kHz, Rs = 150Ω, input TRIM @ 0dB, ingangsgevoeligheid @ -60dB
 Equivalente ingangsruis -129dBm
 Uitgangsruis < 90dBm

VU-METERS

Vier 11-traps vu-meters met leds (stereo L-R, groep 1-2)
 Piek rode led
 +10, +7, +4 en +2 gele led
 0, -2, -4, -7, -10 en -20 groene led

FANTOOMVOEDING

+48VDC

VOEDING

120VAC/60Hz of 230VAC/50Hz

VERBRUIK

40W, externe voedingsadapter

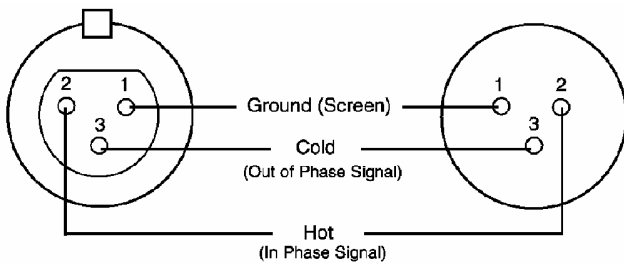
AFMETINGEN EN GEWICHT

496 x 132 x 494mm, 5.85kg

5. Aansluitingen

U mag niet-gebalanceerde toestellen met de gebalanceerde in- of uitgangen verbinden. Gebruik mono 1/4" jack-aansluitingen of verbind de ring en de huls van de TRS-aansluitingen. Gebruik nooit niet-gebalanceerde XLR-aansluitingen met de MIC-ingangen wanneer u de fantoomvoeding gebruikt.

Microfooningang Groep- & mixuitgangen



Doos (vrouwelijk)

Plug (mannelijk)

	<p>Hoofdtelefoon</p> <ol style="list-style-type: none"> 1. Tip = signaal links 2. Ring = signaal rechts 3. Huls = aarding 4. Tip 5. Ring 6. Huls 7. Snoerontlastingsklem 		<p>Niet-gebalanceerde 1/4" monopluggen</p> <ol style="list-style-type: none"> 1. Tip = signaal 2. Huls = aarding 3. Tip 4. Huls 5. Snoerontlastingsklem 		<p>Gebalanceerde 1/4" stereopluggen</p> <ol style="list-style-type: none"> 1. Tip = hot (+) 2. Ring = cold (-) 3. Huls = aarding 4. Tip 5. Ring 6. Huls 7. Snoerontlastingsklem
--	--	--	---	--	---

Voor meer informatie omtrent dit product, zie www.hqpower.com.

De informatie in deze handleiding kan te allen tijde worden gewijzigd zonder voorafgaande kennisgeving.

PROMIX1212E

MESA DE MEZCLAS DE 12 CANALES - PROCESADOR MULTI-EFECTOS DIGITAL

1. Introducción

A los ciudadanos de la Unión Europea

Importantes informaciones sobre el medio ambiente concerniente este producto



Este símbolo en este aparato o el embalaje indica que, si tira las muestras inservibles, podrían dañar el medio ambiente.

No tire este aparato (ni las pilas eventuales) en la basura doméstica; debe ir a una empresa especializada en reciclaje. Devuelva este aparato a su distribuidor o a la unidad de reciclaje local.

Respete las leyes locales en relación con el medio ambiente.

Si tiene dudas, contacte con las autoridades locales para eliminación.

Gracias por haber comprado la **PROMIX1212E**! Lea atentamente las instrucciones del manual antes de usarla. Si el aparato ha sufrido algún daño en el transporte no lo instale y póngase en contacto con su distribuidor.

2. Instrucciones de seguridad



Cuidado durante la instalación: puede sufrir una peligrosa descarga eléctrica al tocar los cables con un voltaje peligroso.



No exponga este equipo a lluvia ni humedad.



Desconecte el cable de alimentación de la red antes de abrir la caja.

- Daños causados por descuido de las instrucciones de seguridad de este manual invalidarán su garantía y su distribuidor no será responsable de ningún daño u otros problemas resultantes.
- La instalación y el mantenimiento deben ser realizados por personal especializado.
- No conecte el aparato si ha estado expuesto a grandes cambios de temperatura. Espere hasta que el aparato llegue a la temperatura ambiente.
- No exponga el aparato a líquidos y asegúrese de que no ponga bebidas encima del aparato.
- Los daños causados por modificaciones no autorizadas, no están cubiertos por la garantía.
- Mantenga la **PROMIX1212E** lejos del alcance de personas no capacitadas y niños.

3. Descripción

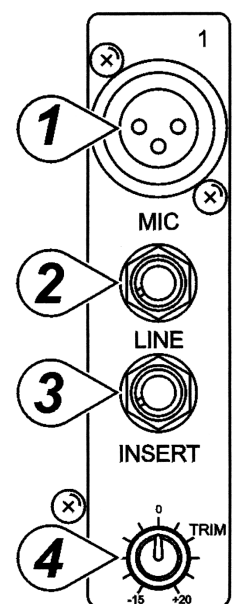
a. Entrada mono

1. Entrada MIC

Cada canal de entrada mono ofrece una entrada equilibrada para micrófono por una conexión XLR y tiene una alimentación phantom de +48V para micrófonos condensador. La conexión XLR se ajusta de la siguiente manera: polo 1 (masa), polo 2 (positivo (+)) y polo 3 (negativo (-)).

2. Entrada LINE

La entrada LINE ha sido diseñada para recibir señales equilibradas o no equilibradas como las de un teclado, un módulo de batería electrónico o muestrarios. Hay bastante ganancia para recibir incluso las señales débiles de p.ej. un micrófono no equilibrado o una guitarra. Si quiere conectar una señal equilibrada a la entrada LINE, cablee un conector TRS de 1/4" TRS de la siguiente manera: la punta (positiva (+)), el anillo (negativo (-)) y la funda (masa).



NOTA: Conecte sólo la entrada MIC o la entrada LINE de un canal. Nunca conecte ambas simultáneamente al mismo canal.

3. INSERT

Estos canales mono están equipados con jacks de entrada para conectar procesadores de señales externas como p.ej. compresores, supresores de ruido u otros, a los canales de entrada individuales. Los jacks INSERT son prácticos para el tratamiento dinámico o la ecualización de un canal. El tratamiento dinámico, contrariamente a la reverberación que se añade generalmente a la señal directa, se aplica a la señal completa. También es posible utilizar estos jacks como salida directa. Para hacer esto, introduzca un conector de ¼" a medias en el jack para que la punta del conector se conecte al anillo del jack.

4. TRIM

Con el ajuste TRIM puede regular la sensibilidad en la entrada (la ganancia del canal) de las entradas MIC y LINE de los canales de entrada mono. Regula el botón de tal manera que pueda recibir señales de entrada de fuentes diferentes, de la señal fuerte de un teclado o un módulo de batería electrónico a la señal débil de un micrófono. El gran rango elimina la conmutación MIC / LINE. Obtendrá la mejor relación señal/ruido y el rango dinámico al ajustar el TRIM de cada canal por separado de tal manera que el LED DE SOBRECARGA (« PEAK ») (11) del canal sólo se ilumina de vez en cuando.

NOTA: Gire este ajuste completamente hacia la izquierda al (des)conectar una fuente de señal.

5. Los ECUALIZADORES

Todos los canales de entrada mono están equipados con un ecualizador de 3 bandas. Los potenciómetros superiores (HIGH) e inferiores (LOW) tienen una frecuencia de 12kHz y de 80Hz respectivamente. El potenciómetro de los medios tiene una repuesta máxima, con una Q fija de 2 octavos y una frecuencia de 2.5KHz. Las tres bandas tienen una intensidad de subida y disminución (cut & boost) hasta 15dB con muesca central (centre detent) central para « off ».

6. AUX SEND 1, 2

Los dos AUX SEND 1 y 2 son ajustes mono y post-EQ, y se utilizan para ajustar el nivel de la señal hacia AUX.

- AUX SEND 1 es prefader y la señal hacia AUX 1 no cambiará por un ajuste del conmutador deslizante.
- AUX SEND 2 es postfader y la señal hacia AUX 1 no cambiará por un ajuste del conmutador deslizante.

Utilice el ajuste AUX 2 (postfader) para todos los efectos para que la reverberación responda a los ajustes del conmutador deslizante y la reverberación se corte al poner el conmutador deslizante en la posición mín. Utilice AUX SEND 2 para alimentar las entradas de un grabador multi-track o cualquier aplicación en línea. Para aplicaciones 'cue' o aplicaciones de control, utilice AUX 1 prefader.

8. Ajuste FX

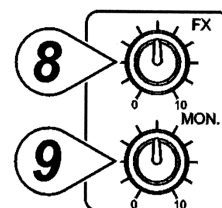
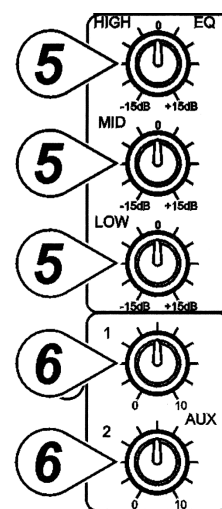
Este botón permite ajustar la señal enviada a las salidas FX y el procesador de efectos digital incorporado. Es posible utilizar esta señal con un procesador de efectos externo (es posible enviar esta señal a la mesa de mezclas por la entrada return AUX), o como salida auxiliar adicional.

9. Ajuste MON

Permite la alimentación de un 'monitor mix' por el jack de salida MON.

10. Ajuste PAN

El ajuste PAN posiciona la señal de salida del canal en el campo estéreo de la mezcla principal. Sus especificaciones eliminan las discrepancias de nivel de volumen, sea que se encuentre en el lado, sea en el medio o entre los dos. El canal PAN determina también la posición estéreo de una señal enviada a G1-2 si G1-2 está seleccionado (14).



11.LED de SOBRECARGA

El LED de SOBRECARGA (PEAK) se ilumina en cuanto el canal alcance la sobrecarga. Detecta el nivel de cresta después EQ y el LED se ilumina a partir de 3dB antes de la saturación para avisar que la señal alcanza la sobrecarga. Asegúrese de que el LED no se ilumina salvo de manera intermitente durante una grabación o una mezcla. Si el LED se ilumina regularmente, disminuya la ganancia de entrada con el potenciómetro TRIM (4).

12.Interruptor de selección PFL

Este interruptor PFL (Pre-Fader Listen) permite escuchar una señal mono seleccionada (botón pulsado) con auriculares o desde las salidas control. La señal es post-EQ e independiente del atenuador de voz.

13.Interruptor de selección L-R

La señal postfader está enviada a los conmutadores deslizantes maestros L-R al pulsar el interruptor.

14.Interruptor de selección G1-2

Este interruptor permite seleccionar el canal que se enviará y se controlará por el conmutador deslizante maestro G1-2. La señal es postfader y la colocación estéreo se ajusta con del ajuste PAN. Los jacks G1-2 ofrecen una segunda mezcla estéreo con el conmutador deslizante estéreo G1-2.

15.CONMUTADOR DESLIZANTE

Este conmutador deslizante ajusta el nivel de la señal enviada a 1-2 o L-R.

b. Entrada estéreo

4. TRIM

El ajuste TRIM del canal estéreo funciona de la misma manera que el del canal mono.

5. ECUALIZADOR

El ecualizador del canal estéreo funciona de manera idéntica que el del canal mono. Las señales izquierdas y derechas se afectarán de la misma manera. Es aconsejable utilizar un ecualizador estéreo en lugar de dos ecualizadores mono si quiere mezclar una señal estéreo para evitar discrepancias entre el ajuste izquierdo y el ajuste derecho.

6. AUX SEND 1, 2

Función idéntica a la del canal mono.

8. Ajuste FX

Función idéntica a la del canal mono.

9. Ajuste MON

Función idéntica a la del canal mono.

11.LED de SOBRECARGA

Función idéntica a la del canal mono.

12.Interruptor PFL

Función idéntica a la del canal mono.

13.Interruptor de selección L-R

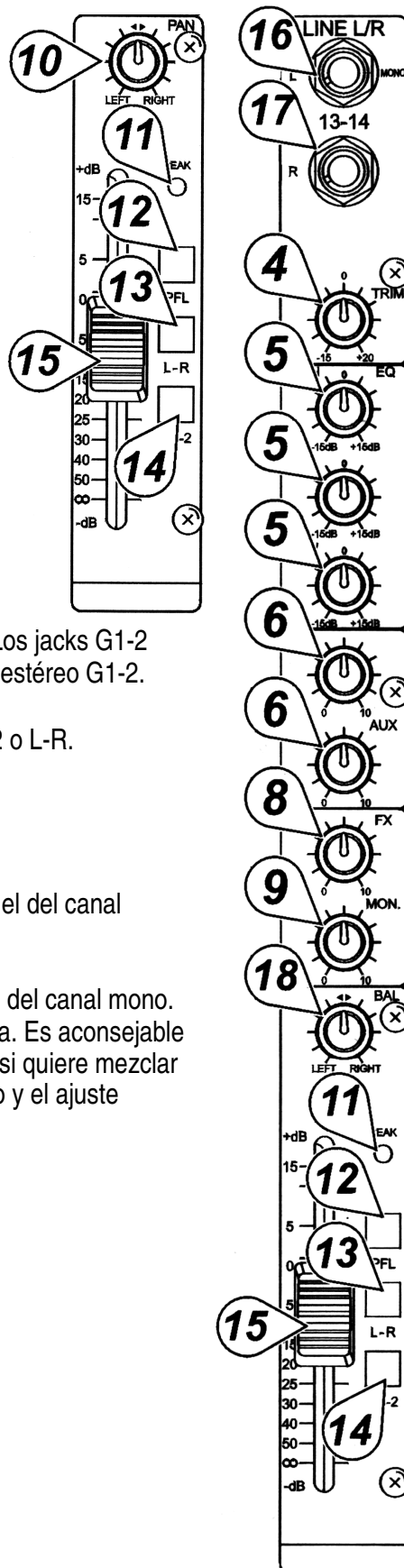
Función idéntica a la del canal mono.

14.Interruptor de selección G1-2

Función idéntica a la del canal mono.

15.CONMUTADOR DESLIZANTE

Función idéntica a la del canal mono.



16. Entrada L (MONO) LINE

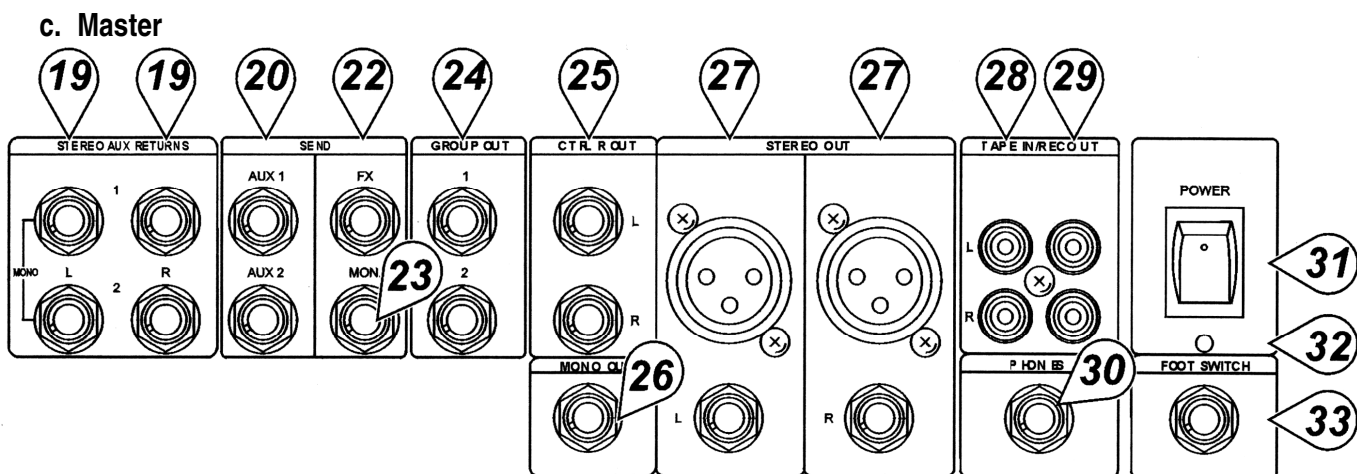
Las entradas en línea ¼" han sido diseñados para recibir señales estéreo o mono como p.ej. las señales de un teclado, una caja de ritmos, un lector de CD o un sampler. También es posible utilizar esta entrada como entrada mono. La señal se enviará de manera idéntica a los ajustes BAL y la salida izquierda y derecha. En el ajuste estéreo, el ajuste mono PAN (10) se reemplaza por el ajuste BALANCE (18).

17. Entrada R LINE

En el ajuste estéreo, conecte la señal izquierda a la entrada L y la señal derecha a la entrada R. Estas señales se enviarán a los ajustes AUX, EQ FADER al mantener la separación estéreo. Los ajustes AUX, EQ, BAL y FADER funcionan de manera idéntica a los del canal mono. Los jacks de entrada estéreo son jacks TRS ¼" equilibrados (punta = +, anillo = -, funda = masa).

18. Ajuste BAL

Esta función equivale a los ajustes PAN (10) de los canales mono si conecta una señal mono a la entrada L (MONO). Sin embargo, si un canal funciona en estéreo, este ajuste funciona de manera idéntica al ajuste BALANCE, determinando el balance relativo entre la señal izquierda y derecha dirigida al MASTER MIX izquierdo y derecho. Ejemplo: con el ajuste BALANCE girado completamente a la derecha enviará sólo la señal derecha de la señal estéreo al MASTER MIX. El ajuste BALANCE determina también el nivel de la señal izquierda y derecha enviado a G1 y G2 al pulsar el interruptor G1-2.



19. STEREO AUX RETURNS (izquierdo/mono, derecho)

Los jacks AUX RETURN son los 'returns' mono o estéreo para AUX 1 y 2. Al conectar una señal al jack izquierdo/mono, AUX RETURN funcionará en mono, la señal se enviará a los ajustes AUX RETURN (37) y luego se mezclará en las salidas MAIN MIX STEREO izquierdas y derechas (27) y/o las salidas G1-G2 (24), dependiente de si ha seleccionado una o dos salidas con los interruptores L-R (40) o AUX RETURN G1-2 (41).

20. AUX SENDS

Las salidas AUX SEND 1 y 2 son las salidas de las señales enviadas desde los ajustes AUX SEND (6). Las salidas son jacks de ¼" no equilibrados (punta = +, funda = masa). AUX 1 es prefader, AUX 2 es postfader.

22. FX SEND

Esta salida TS de ¼" es la salida final del bus de mezcla EFX. Se puede utilizar para conectar un procesador de efectos digital externo, un amplificador y los altavoces, dependiente del ajuste que desea. Las salidas son jacks de ¼" no equilibrados: punta = +, funda = masa.

23. MON SEND

Este jack de control es la salida de las señales enviadas desde el ajuste MON (9). La salida es un jack de ¼" no equilibrado: punta = +, funda = masa.

24. G1-2 OUT

La señal de salida se enviará a las salidas G1-2 GROUP OUTS (24) al pulsar el interruptor G1-2 (14). Las salidas son jacks de ¼" no equilibrados: punta = +, anillo = -, funda = masa.

25. CTRL R OUT

Es posible conectar las salidas L-R a un amplificador para alimentar altavoces monitor (u otro). Son jacks de ¼" no equilibrados: punta = +, funda = masa.

26. MONO OUT

Salida mono de una señal estéreo que viene del bus ST. Ajuste el nivel de la salida con el conmutador deslizante MONO de la sección 'master'. La señal es el conjunto de las señales estéreo L y R. Esta salida es apta para un uso con un sistema sonora mono o si quiere añadir un subwoofer al sistema de altavoces. La salida es un jack 1/4" no equilibrado: punta = +, funda = masa.

27. STEREO OUT

Las salidas estéreo son conexiones XLR izquierda (L) y derecha (R) (polo 1 = masa, polo 2 = punta caliente +, polo 3 = punta fría -) y los jacks de 1/4" no equilibrados (punta = +, funda = masa).

28. TAPE IN

Estas entradas aceptan la señal de un aparato externo a la salida estéreo como p.ej. un casete.

29. REC OUT

Las salidas REC procuran una salida MASTER MIX. Estas salidas son salidas RCA y han sido diseñadas para cassetes, etc.

30. PHONES OUT

Esta salida alimenta los auriculares y es un jack de 1/4" TRS: la punta = señal de izquierda, anillo = señal de derecha, funda = masa.

31. INTERRUPTOR DE ALIMENTACIÓN

Pulse este interruptor para activar o desactivar la consola. Asegúrese de que ponga los ajustes del nivel de volumen en la posición mínima.

32. LED DE ALIMENTACIÓN

Este LED se ilumina si la consola está activada.

33. Conexión para INTERRUPTOR DE PIE

Conexión del interruptor de pie. El interruptor de pie se utiliza para (des)conectar el procesador de efectos digital. La entrada es un jack de 1/4" TRS estéreo: punta = FX 1, anillo = FX 2, funda = masa.

34. Conmutadores deslizantes GROUP

Estos dos conmutadores deslizantes sirven de ajustar el nivel final de la señal enviada a las salidas L y R.

35. Conmutador deslizante MONO

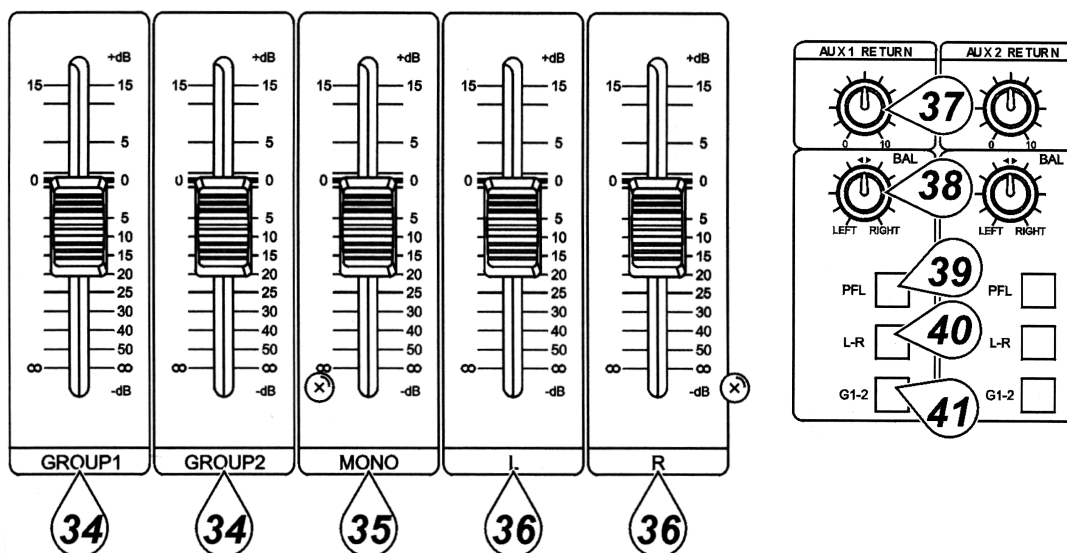
Este conmutador deslizante ajusta la señal que viene del bus y se envía a la salida MONO.

36. Conmutadores deslizantes L/R MASTER

Estos dos conmutadores deslizantes sirven de ajustar el nivel final de la señal enviada a las salidas L y R.

37. AUX RETURN

Ajustes de la señal audio enviada a las entradas estéreo AUX RETURN.



38. Ajuste AUX RETURN BAL

Ajuste el balance de la señal AUX RETURN con este botón.

39. Selector AUX RETURN PFL

Este interruptor PFL (Pre-Fader Listen) permite escuchar una señal mono seleccionada (botón pulsado) con los auriculares o desde las salidas de control.

40. Selector AUX RETURN L-R

Si el interruptor L-R está pulsado las señales 'return' izquierdas y derechas se enviarán a los ajustes RETURN LEVEL (37) y se mezclarán en las salidas estéreo izquierdas y derechas (27).

41. Selector AUX RETURN G1-2

Si el interruptor L-R está pulsado las señales 'return' izquierdas y derechas se enviarán a los ajustes RETURN LEVEL (37) y se mezclarán en las salidas G1-2 OUT (24)

42. Ajuste TAPE LEVEL

Permite ajustar el nivel de las señales de entrada que se enviarán a la mezcla principal.

43. PHONES/CTRL ROOM

El nivel de las señales seleccionadas se regula con este ajuste y se envía a la salida CTRL R OUT (25) y la salida PHONES OUT (30).

44. Selectores MONITOR (PFL, L-R, G1-2)

Esta consola le permite un control individual de la mezcla principal L-R, la mezcla G1-2 o la señal PFL prefader al pulsar uno de los interruptores.

45. Interruptor ON/OFF PHANTOM POWER

Al utilizar micrófonos condensador es posible activar/desactivar la alimentación phantom de +48VCC para las conexiones XLR.

Es posible conectar micrófonos dinámicos equilibrados o aparatos de nivel de línea si el conmutador está en la posición « ON ». Al conectar aparatos no equilibrados o aparatos cuyo transformador tiene una masa central, esto podría causar interferencias o un mal funcionamiento. Un cortocircuito de la alimentación 48VCC podría dañar también la mesa de mezclas. Primero, atenúe los monitores o los altavoces PA antes de (des)activar la alimentación phantom.

46. LED DE ALIMENTACIÓN PHANTOM

El LED rojo se ilumina si la alimentación phantom está activada.

47. AUX SEND 1-2

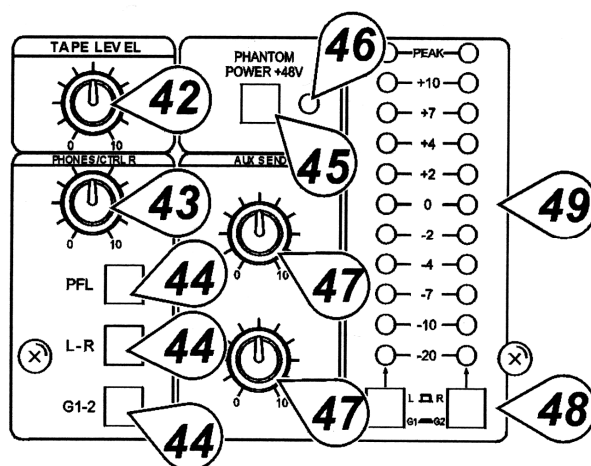
Estos ajustes afectan la señal enviada a los buses de mezcla 1 y 2. Esto es útil para el control por altavoces de escenario conectados.

48. Selectores de VÚMERTRO

Seleccione el VÚMERTRO (49) que indica los niveles G1 y G2 con estos selectores.

49. VÚMERTRO

Este vúmetro consta de LEDs verdes, amarillos y rojos e incluye una indicación de sobrecarga. El vúmetro indica un nivel entre -20dBu y +10dBu.



d. Efectos digitales

50. PANTALLA LED de 7 segmentos

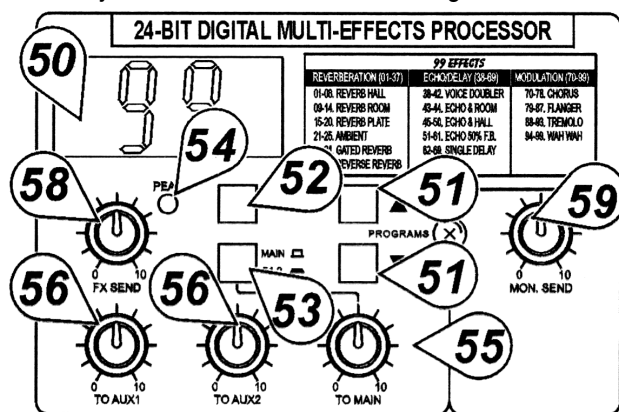
La pantalla digital de 2 cifras indica la preselección seleccionada. La visualización parpadea si el sonido está atenuado.

51. Botones ▲ / ▼

Seleccione el programa con estos 2 botones.

52. Interruptor ON/OFF

Este interruptor (des)activa el efecto digital.



53. Interruptor MAIN/G1-2

Este interruptor le permite enviar la señal que viene del canal de efectos digitales a la mezcla principal o a G1-2.

54. Indicadores CLIP

Este LED se ilumina brevemente si hay una saturación dinámica de la señal. Disminuya los ajustes FX de los canales de entrada si este LED se ilumina regularmente para que el nivel no sea demasiado alto.

55. Ajuste TO MAIN

Permite ajustar el nivel de las señales audio que se enviarán a la mezcla principal.

56. TO AUX 1-2

Estos ajustes afectan el nivel de audio que viene del procesador de efectos digitales enviado a los canales de mezcla auxiliares.

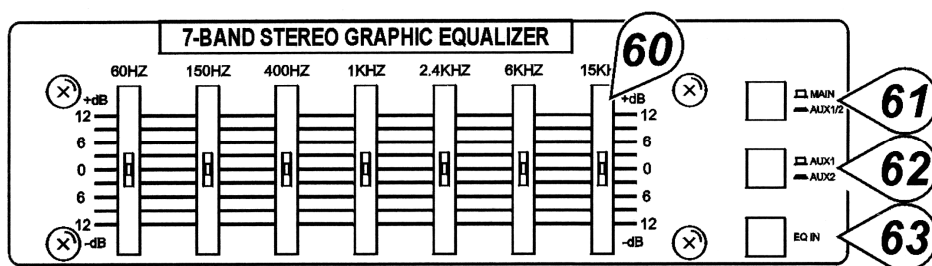
58. Ajuste FX SEND MASTER

Este ajuste permite regular el nivel final del canal de mezcla FX. El audio se enviará a la salida FX SEND.

59. Ajuste MON SEND

Este ajuste permite regular el nivel final del canal de mezcla MON. El audio se enviará a la salida MON SEND.

e. Ecuador gráfico



60. ECUALIDAZOR GRAFICO

Este ecualizador gráfico de 7 bandas le permite ajustar la respuesta en frecuencia de una señal (± 12 dB).

61. MAIN/AUX 1-2

Añada EQ a la mezcla final o los canales AUX 1-2.

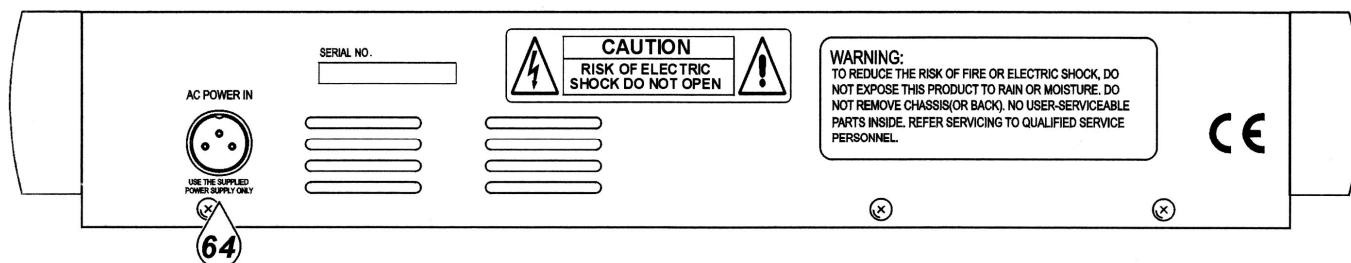
62. Interruptor AUX 1-2

Este interruptor conmuta el ecualizador entre los canales AUX 1 y AUX 2.

63. Interruptor EQ IN

Pulse este interruptor para activar el ecualizador gráfico.

f. Panel trasero



64. ENTRADA DE ALIMENTACIÓN

Introduzca el cable de alimentación en esta entrada.

4. Especificaciones

ENTRADA

Entrada	Conexión	Impedancia entrada	Nivel nominal	Nivel máx.
MIC MONO	XLR	> 1.3k Ω	+ 2dBm	+ 14dBm
LINE MONO	1/4" TRS	> 10k Ω	+ 4dBm	+ 22dBm
LINE STEREO	1/4" TRS	> 10k Ω	+ 4dBm	+ 22dBm
TAPE IN	RCA	> 10k Ω	+ 2dBm	+ 22dBm
AUX RETURN	1/4" TS	> 10k Ω	+ 4dBm	+ 22dBm
INSERT IN	1/4" TRS	> 10k Ω	+ 4dBm	+ 22dBm

SALIDA

Salida	Conexión	Impedancia entrada	Nivel nominal	Nivel máx.
STEREO OUT L/R	1/4" TRS	120 Ω	+ 4~6dBm	+ 22dBm
MONO OUT	1/4" TS	120 Ω	+ 4~6dBm	+ 22dBm
G1-2 OUT	1/4" TRS	120 Ω	+ 4~6dBm	+ 22dBm
AUX SEND 1-2	1/4" TS	120 Ω	+ 4~6dBm	+ 20dBm
FX SEND 1-2	1/4" TS	120 Ω	+ 4~6dBm	+ 20dBm
MONITOR SEND	1/4" TS	120 Ω	+ 4~6dBm	+ 20dBm
INSERT OUT	1/4" TRS	120 Ω	+ 4~6dBm	+ 22dBm
CTRL ROOM OUT	1/4" TS	120 Ω	+ 4~6dBm	+ 22dBm
REC OUT	RCA	1k Ω	+ 4~6dBm	+ 22dBm
PHONES	1/4" TRS	100 Ω	-	40mW * 2

RESPUESTA EN FRECUENCIA

Entrada hacia la salida 20Hz~20kHz +/- 3dB @ 0dBm

DISTORSIÓN ARMÓNICA TOTAL

Entrada hacia la salida 0.02%, 20Hz~20kHz @ 1kHz, 0dBm

ECUALIZADOR DEL CANAL DE ENTRADA

Agudos 12kHz, +/- 15dB, Q fija de 2 octavos.
Medios 2.5kHz, +/- 15dB, Q fija de 1 octavo.
Graves 80kHz, +/- 15dB, Q fija de 2 octavos.

GAMA DEL NIVEL DE GANANCIA

Ajuste TRIM del canal de entrada stop a stop, MIC +10dB~+60dB, LINE +10dB~+40dB
Conmutadores deslizantes canal/master/mono/G1-2 - ∞ a +15dB
Aux send/aux master send off~+15dB
FX send/FX master send off~+15dB
Monitor send/monitor master send off~+15dB
Aux return off~+15dB

CROSSTALK @ 1kHz

Entradas de los canales -78dB~-68dB
Entrada hacia la salida -78dB~-68dB

EFFECTOS DIGITALES INCORPORADOS

Efecto 1 99 programas con indicaciones MUTE y CLIP
Efecto 2 99 programas con indicaciones MUTE y CLIP
Interruptor a pie

INTERFERENCIAS Y RUIDOS

20Hz~20kHz, $R_s = 150\Omega$, TRIM entrada @ 0dB, sensibilidad a la entrada @ -60dB

Interferencias a la entrada -129dBm

Interferencias a la salida < 90dBm

VÚMETROS

Cuatro vúmetros LED de 11 niveles (estéreo L-R, grupo 1-2)

Cresta LED rojo

+10, +7, +4 et +2 LED amarillo

0, -2, -4, -7, -10 et -20 LED verde

ALIMENTACIÓN PHANTOM

+48VCC

ALIMENTACIÓN

120VCA/60Hz ou 230VCA/50Hz

CONSUMO

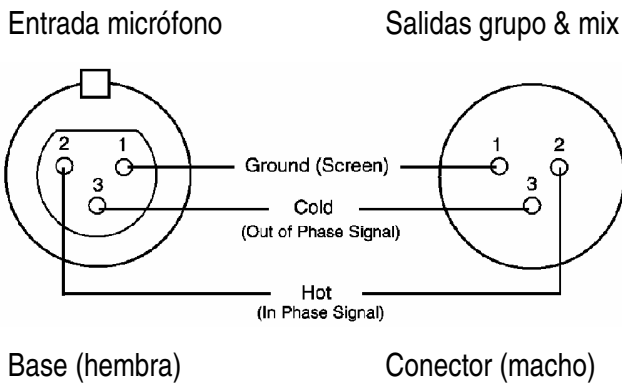
40W, adaptador de red externo

DIMENSIONES Y PESO

496 x 132 x 494mm, 5.85kg

5. Conexión

Es posible conectar aparatos no equilibrados a las entradas/salidas no equilibradas. Conéctelos con los conectores mono 1/4" o conecte el anillo y la funda de los conectores TRS. Nunca conecte conectores XLR no equilibrados a las entradas MIC si utiliza la alimentación phantom.



	<p>Auriculares</p> <ol style="list-style-type: none"> 1. Punta = señal izquierda 2. Anillo = señal derecha 3. Funda = masa 4. Punta 5. Anillo 6. Funda 7. Abrazadera pasacables 		<p>Conectores mono 1/4" no equilibrados</p> <ol style="list-style-type: none"> 1. Punta = señal 2. Funda = masa 3. Punta 4. Funda 5. Abrazadera pasacables 		<p>Conector estéreo 1/4" equilibrado</p> <ol style="list-style-type: none"> 1. Punta = punta caliente (+) 2. Anillo = punta fría (-) 3. Funda = masa 4. Punta 5. Anillo 6. Funda 7. Abrazadera pasacables
--	---	--	--	--	---

Para más información sobre este producto, visite nuestra página www.hqpower.com.

Se pueden modificar las especificaciones y el contenido de este manual sin previo aviso.

PROMIX1212E

12-KANAL-MISCHPULT - DIGITALER MULTIEFFEKT-PROZESSOR

1. Einführung

An alle Einwohner der Europäischen Union

Wichtige Umweltinformationen über dieses Produkt



Dieses Symbol auf dem Produkt oder der Verpackung zeigt an, dass die Entsorgung dieses Produktes nach seinem Lebenszyklus der Umwelt Schaden zufügen kann.

Entsorgen Sie die Einheit (oder verwendeten Batterien) nicht als unsortiertes Hausmüll; die Einheit oder verwendeten Batterien müssen von einer spezialisierten Firma zwecks Recycling entsorgt werden. Diese Einheit muss an den Händler oder ein örtliches Recycling-Unternehmen retourniert werden. Respektieren Sie die örtlichen Umweltvorschriften.

Falls Zweifel bestehen, wenden Sie sich für Entsorgungsrichtlinien an Ihre örtliche Behörde.

Wir bedanken uns für den Kauf des **PROMIX1212E**! Lesen Sie vor Inbetriebnahme diese Bedienungsanleitung sorgfältig durch. Überprüfen Sie, ob Transportschäden vorliegen. Sollte dies der Fall sein, verwenden Sie das Gerät nicht und wenden Sie sich an Ihren Händler.

2. Sicherheitsvorschriften



Seien Sie während der Installation des Gerätes sehr vorsichtig: das Berühren von unter Spannung stehenden Leitungen könnte zu lebensgefährlichen elektrischen Schlägen führen.



Das Gerät vor Regen und Feuchte schützen.



Trennen Sie das Gerät immer vom Netz bevor Sie es öffnen.

- Bei Schäden, die durch Nichtbeachtung der Bedienungsanleitung verursacht werden, erlischt der Garantieanspruch. Für daraus resultierende Folgeschäden übernimmt der Hersteller keine Haftung.
- Lassen Sie dieses Gerät von einem qualifizierten Techniker installieren und warten.
- Das Gerät bei Temperaturschwankungen nicht sofort einschalten. Schützen Sie das Gerät vor Beschädigung, indem Sie es ausgeschaltet lassen bis es akklimatisiert ist (Zimmertemperatur erreicht hat).
- Stellen Sie keine Getränke auf das Gerät oder in der Nähe.
- Bei Schäden verursacht durch eigenmächtige Änderungen erlischt der Garantieanspruch.
- Halten Sie das Gerät von Kindern und Unbefugten fern.

3. Umschreibung

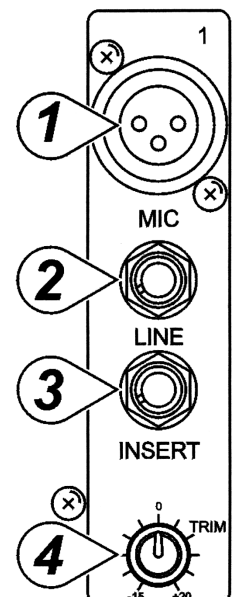
a. Mono-Eingang

1. MIC-Eingang

Jeder Mono-Eingangskanal besteht aus einem symmetrischen Mikrofoneingang über den XLR-Anschluss und verfügt über eine schaltende Phantomspeisung (+48V) für Kondensatormikrofone. Der XLR-Anschluss ist konfiguriert für Pin 1 (Erdung), Pin 2 (positiv (+)) und Pin 3 (negativ (-)).

2. LINE-Eingang

Der LINE-Eingang ist entworfen um symmetrische und unsymmetrische Line-Signale, wie die eines Keyboards, eines Drumcomputers oder Samplers, zu empfangen. Es gibt eine ausreichende Verstärkung auf dem Line-Eingang um sogar schwächere Signale, wie die eines unsymmetrischen Mikrofons oder einer Gitarre, zu empfangen. Möchten Sie ein symmetrisches Signal an den Line-Eingang anschließen, bekabeln Sie einen 1/4" TRS (Stereo)-Stecker wie folgt: Spitze (positiv (+)), Ring (negativ (-)) und Hülse (Erdung).



BEMERKUNG: Sie können den MIC-Eingang oder den LINE-Eingang anschließen. Schließen Sie nie die beiden zur gleichen Zeit an denselben Kanal an.

3. INSERT

Diese Mono-Eingangskanäle dienen zum Anschluss von Signalprozessoren wie Kompressoren, Rauschfilternetzen oder Effektgeräten. Diese Eingänge sind nützlich wenn Sie dem Mix Dynamic Processing oder Ausgleich hinzufügen möchten. Im Gegensatz zum Echo, das meistens dem trockenen Signal hinzugefügt wird, wird Dynamic Processing dem ganzen Signal hinzugefügt. Diese Eingänge können auch als direkten Ausgang verwendet werden indem Sie den ¼" Anschluss halb in den Eingang schieben damit die Anschlussspitze Kontakt mit dem Ring des Eingangs macht.

4. TRIM-Regler

Mit dem TRIMM-Regler regeln Sie die Eingangsempfindlichkeit (Kanalverstärkung) des MIC-Eingangs und der Mono-Eingangskanäle. Regeln Sie diesen Knopf, damit Sie das Eingangssignal verschiedener Quellen (sowohl die starken Ausgangssignale eines Keyboards oder Drumcomputers, als auch die schwachen Ausgangssignale eines Mikrofons) empfangen können. Der große Bereich macht MIC / LINE-Schaltung überflüssig. Das beste Signal/Rauschabstandverhältnis und den besten dynamischen Bereich bekommen Sie wenn Sie den TRIMM-Regler bei jedem Kanal separat regeln, sodass die PEAK LED (11) nur ab und zu leuchtet.

BEMERKUNG: Drehen Sie diesen Regelschalter ganz nach links bevor Sie ein Signal anschließen oder trennen.

5. EQUALIZER

Alle Mono-Eingangskanäle verfügen über einen 3-Band-Equalizer. Die obere (HIGH) und untere (LOW) Potentiometer haben eine Frequenz von 12kHz, beziehungsweise 80Hz. Der Regelschalter für die Mitteltöne hat eine Spitzenansprechempfindlichkeit mit Q von 2 Oktaven und einer Frequenz von 2.5KHz. Alle Bänder haben bis 15dB Cut und Boost mit einer Mittellage für "off".

6. AUX SEND 1, 2

Sowohl AUX SEND 1 als auch 2 sind mono und Post-EQ. Diese regeln den Signalpegel, der zu den AUX-Bussen gesendet wird.

- AUX SEND 1 ist Prefader und das Signal zu AUX 1 bleibt unverändert wenn der Fader versetzt wird.
- AUX SEND 2 ist Postfader und das Signal zu AUX 1 ändert sich wenn der Fader versetzt wird.

Verwenden Sie AUX SEND 2, um die Eingänge eines Multi-Track Rekorder oder einer anderen asymmetrischen Line Level Anwendung zu versorgen. Für Cue-Anwendungen und Monitoring verwenden Sie am besten Prefader AUX 1.

8. FX-Regler

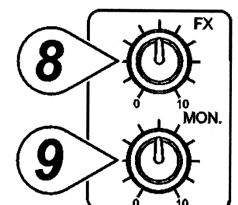
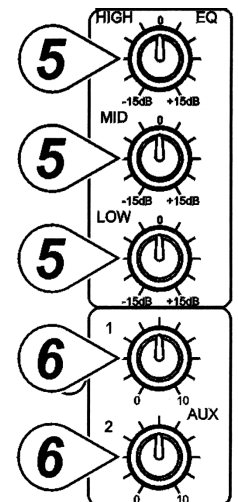
Hiermit regeln Sie den Signalpegel zu den FX-Ausgänge und dem eingebauten digitalen Effektprozessor. Das FX-Signal kann zusammen mit einem externen Signalprozessor (dieses Signal kann zum Mischpult über den AUX Returneingang zurückgesendet werden) oder einfach als zusätzlichen Ausgang verwendet werden.

9. MON-Regler

Mit dem MON-Regler regeln Sie den externen Monitormix der Musikanten über den MON-Ausgang.

10. PAN-Regler

Der PAN-Regler setzt den Ausgang eines Kanals in das Stereobild des Master Mix. Das Gerät sorgt dafür, dass sich keine Diskrepanzen im Pegel ergeben, egal ob sich ein Signal an einer Seite, zentral oder zwischendrin befindet. Der PAN-Regler bestimmt ebenfalls die Aufstellung des Stereosignals zu den Bussen G1-2 wenn ausgewählt (14).



11. PEAK-Anzeige

Die PEAK-Anzeige leuchtet auf wenn sich ein Kanal übersteuert. Das Gerät stellt eine Spitze nach EQ fest, leuchtet 3dB vor der Verformung auf und warnt Sie wenn das Signal übersteuert wird. Sorgen Sie dafür, dass die PEAK-Anzeige nicht aufleuchtet, mit Ausnahme von einigen Malen bei einem Mix. Wenn die Anzeige konstant aufleuchtet, mindern Sie die Eingangsverstärkung mithilfe des TRIMM-Reglers (4).

12. Wählschalter PFL

Mit diesem Schalter (PFL = Pre-Fader Listen) können Sie das Monosignal von einem beliebig ausgewählten Kanal über Kopfhörer oder Monitorausgänge hören. Das Signal ist Post-EQ und unabhängig des Faders.

13. Wählschalter L-R

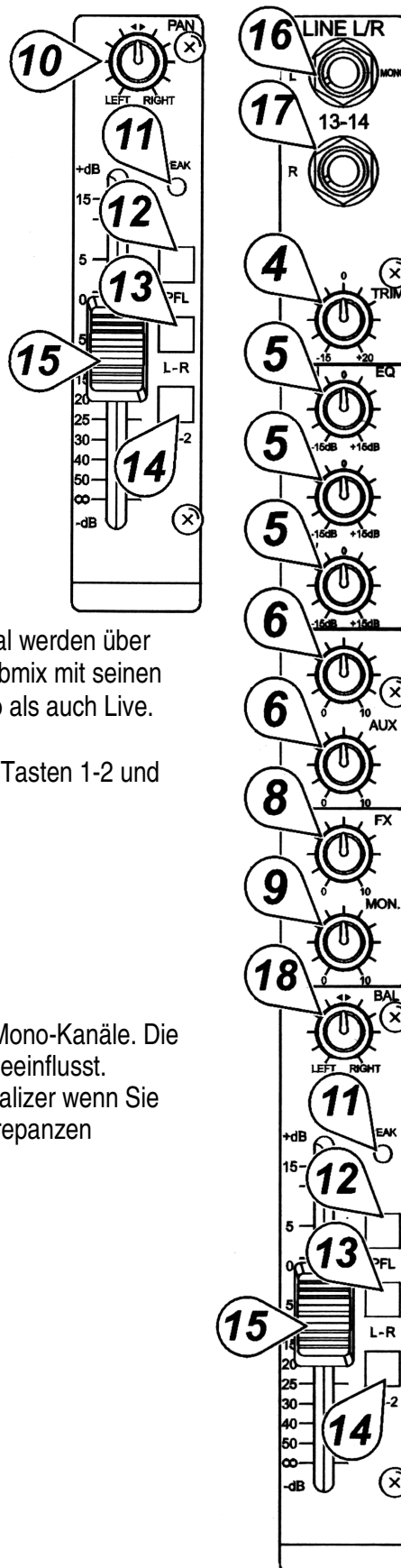
Das Postfadersignal wird zu den L-R Masterfadern gesendet wenn dieser Schalter gedrückt ist.

14. Wählschalter G1-2

Verwenden Sie dieser Schalter um auszuwählen zu welchem Kanal (G1 oder 2 durch Masterfader 1 oder 2) Sie das Signal sendet. Das Signal Postfader und die Aufstellung in das Stereosignal werden über den PAN-Regler gesteuert. Bus G1-2 bietet einen zweiten Stereosubmix mit seinen eigenen Stereo Submasterfader. Dies ist praktisch sowohl im Studio als auch Live.

15. FADER

Zum Steuern das Signalpegel des entsprechenden Kanals (mit den Tasten 1-2 und L-R ausgewählt).



b. Stereo-Eingang

4. TRIM

Dieser Regler funktioniert wie die Regelung des Mono-Eingangs.

5. EQUALIZER

Der Equalizer der Stereo-Kanäle funktioniert wie der Equalizer der Mono-Kanäle. Die linken und die rechten Signale werden auf dieselbe Art und Weise beeinflusst. Verwenden Sie eher einen Stereo-Equalizer anstatt zwei Mono-Equalizer wenn Sie ein Stereo-Signal mischen wollen. So vermeiden Sie mögliche Diskrepanzen zwischen den linken und den rechten Einstellungen.

6. AUX SEND 1, 2

Identisch mit dem Mono-Kanal.

8. FX-Regler

Identisch mit dem Mono-Kanal.

9. MON-Regler

Identisch mit dem Mono-Kanal.

11. PEAK-Anzeige

Identisch mit dem Mono-Kanal.

12. Wählschalter PFL

Identisch mit dem Mono-Kanal.

13. Wählschalter L-R

Identisch mit dem Mono-Kanal.

14. Wählschalter G1-2

Identisch mit dem Mono-Kanal.

15. FADER

Identisch mit dem Mono-Kanal.

16.L (MONO) LINE-Eingang

Die Stereo-Eingänge sind für Mono- oder Stereosignale wie die eines Keyboards, eines Drumcomputers oder Samplers bestimmt. Diese Eingänge können aber auch als Standard Mono-Eingänge verwendet werden, indem Sie das Signal mit dem L (MONO) LINE-Eingang verbinden. Dieses Signal wird dann zum BAL-Regler und den Ausgängen links und rechts, genauso wie den Standard LINE-Eingängen, gesendet. Bei Stereosignalen wurde die PAN-Regelung (10) des Monokanals durch die BALANCE-Regelung (18) ersetzt.

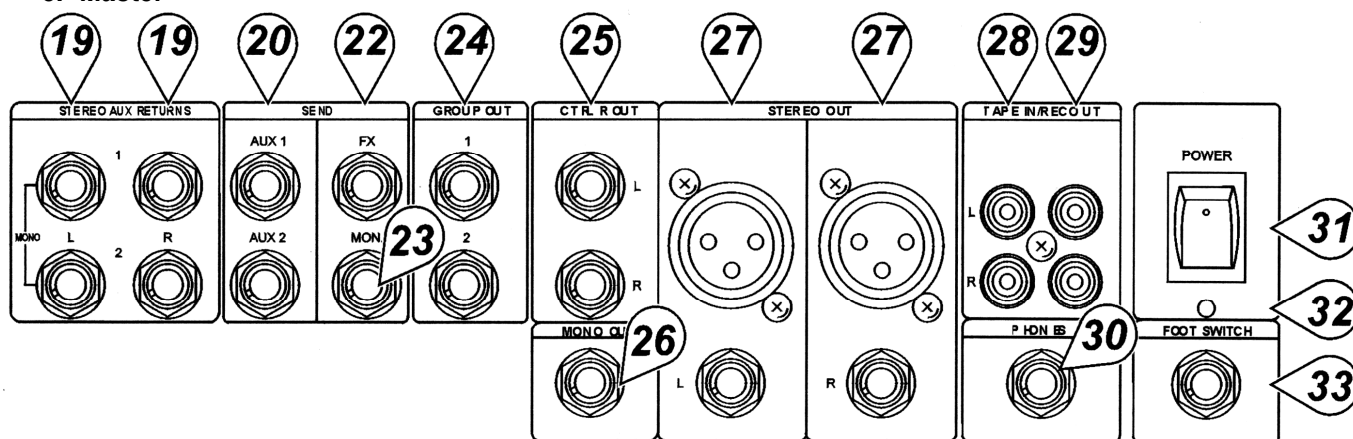
17.R LINE-Eingang

Mit Stereo-Eingängen, die auch wie Stereo-Eingänge verwendet werden, verbinden Sie das linke Signal mit dem L-Eingang und das rechte Signal mit dem R-Eingang. Diese Signale werden zum AUX, EQ und FADER gesendet und behalten den Stereo. AUX, EQ, BAL und FADER-Regler funktionieren identisch wie die Regelungen des Monokanals. Wenn Sie ein Stereosignal mit einem Stereo-Eingang verbinden, werden links und rechts verhältnismäßig geändert werden. Die Stereo-Eingänge sind symmetrische 1/4" TRS-Eingänge (Spitze = +, Ring = -, Hülse = Erdung).

18.BAL-Regler

Dieser Regler funktioniert wie die PAN-Regelung (10) für einen Mono-Eingang zum L (MONO) Eingang. Wenn ein Kanal aber in stereo funktioniert, dann funktioniert dieser Knopf wie eine Balance-Regelung zwischen dem linken und rechten Kanal. Beispiel: drehen Sie den BAL-Regler ganz nach rechts um nur den rechten Teil eines Stereokanals hörbar zu machen. Dieser Regler bestimmt auch wie viel linke und rechte Signale zu G1 und G2 (Schalter G1-2 gedrückt) gesendet werden.

c. Master



19.STEREO AUX RETURNS (links/mono, rechts)

Die AUX RETURN-Anschlüsse sind die Mono oder Stereo Retours für AUX SEND. Wenn Sie ein Signal nur an den LEFT / MONO RETURN-Anschluss anschließen, dann wird AUX RETURN mono funktionieren und wird das Signal zu den entsprechenden AUX RETURN-Regelungen (37) gesendet werden, wonach es in den linken und den rechten MASTER MIX Stereo-Ausgänge (27) und/oder den Ausgängen G1-G2 (24) gemischt wird. Dies hängt von Ihrer Auswahl ab (L-R (40) oder AUX RETURN G1-2 (41)).

20.AUX SENDS

AUX SEND 1 und 2 sind Signalausgänge zu AUX SEND (6). Es sind unsymmetrische 1/4" Ausgänge (Spitze = +, Hülse = Erdung). AUX 1 ist Prefader und AUX 2 ist Postfader.

22.FX SEND

Dieser unsymmetrische 1/4" TS-Ausgang (Spitze = +, Hülse = Erdung) bilden den letzten Ausgang vom EFX. Diese werden verwendet, um einen externen digitalen Effektprozessor oder eine Verstärker mit Lautsprechern anzuschließen. Dies hängt von Ihren Einstellungen ab.

23.MON SEND

Dieser unsymmetrische 1/4" Ausgang (Spitze = +, Hülse = Erdung) ist der Signalausgang für die MON-Regelung (9).

24.G1-2 OUT

Drücken Sie den Schalter G1-2 (14), um ein Signal zu G1-2 GROUP OUTS (24) zu senden. Diese symmetrische 1/4" TRS-Ausgänge sind konfiguriert wie folgt: Spitze = +, Ring = -, Hülse = Erdung.

25. CTRL R OUT

Diese Ausgänge können an einen Verstärker angeschlossen werden um Stereo-Monitore (oder andere) mit Strom zu versorgen. Es sind unsymmetrische 1/4" Ausgänge: Spitze = +, Hülse = Erdung.

26. MONO OUT

Mono-Ausgang eines Stereosignals mit einem ST-Bus. Regeln Sie dieses Signal mit dem Master MONO-Fader. Das Signal ist einen Mix von den linken und rechten Signalen und eignet sich am besten mit Monoapparatur oder wenn Sie dem Soundsystem einen Subwoofer hinzufügen möchten. Dieser ist ein unsymmetrischer 1/4" Ausgang: Spitze = +, Hülse = Erdung.

27. STEREO OUT

Stereo-Ausgänge mit symmetrischen XLR-Anschlüsse links (L) und rechts (R): Pin 1 = Erdung, Pin 2 = heiß +, Pin 3 = kalt -, und unsymmetrischen 1/4" Ausgängen: Spitze = +, Hülse = Erdung.

28. TAPE IN

Diese Anschlüsse empfangen das Signal eines externen Gerätes mit Stereo-Ausgängen wie z.B. Kassettenrekorder.

29. REC OUT

Die REC-Ausgänge liefern einen Ausgang für den MASTER MIX. Diese Ausgänge sind des Cinch-Typs und sind geeignet als Eingänge für Tonbandgeräte usw.

30. PHONES OUT

Der PHONES-Ausgang versorgt den Kopfhörer mit Strom und ist eine 1/4" TRS-Buchse mit Spitze = Signal links = Signal rechts, Hülse = Erdung.

31. STROMVERSORGUNGSSCHALTER

Schalten Sie das Mischpult über diesen Schalter ein oder aus. Stellen Sie zuerst alle Pegelregelungen auf das Minimum.

32. STROMVERSORGUNGSLED

Diese LED leuchtet wenn das Mischpult eingeschaltet ist.

33. Eingang FUßSCHALTER

Verbinden Sie den Fußschalter über diesen Eingang mit dem Mischpult. Mit dem Fußschalter schalten Sie den digitalen Effektprozessor ein und aus. Der 1/4" Stereo TRS-Anschluss ist konfiguriert wie folgt: Spitze = FX 1, Ring = FX 2, Hülse = Erdung.

34. GROUP-Regler

Mit diesen zwei Fadern regeln Sie den endgültigen Signalpegel, der zu den Ausgängen L und R gesendet wird.

35. MONOFADER

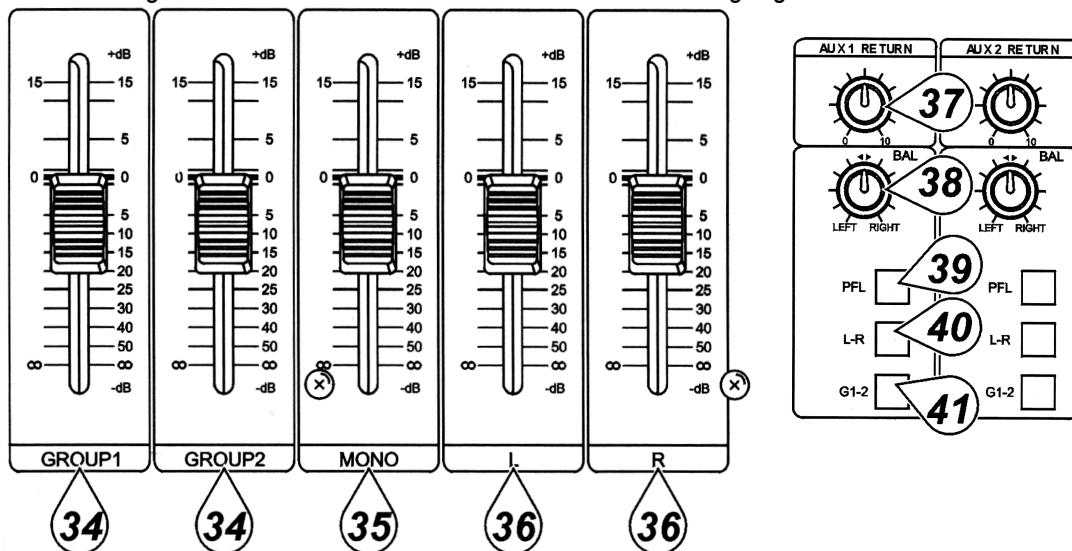
Dieser Fader regelt den Signalpegel stammend vom ST-Bus zum MONO-Ausgang.

36. L/R MASTERFADER

Mit diesen zwei Fadern regeln Sie den endgültigen Signalpegel, der zu den Hauptausgängen L und R gesendet wird.

37. AUX RETURN

Diese Taste regelt das Audioniveau der AUX RETURN Stereo-Eingänge.



38. AUX RETURN BAL

Verwenden Sie diese Taste, um die Balance des AUX RETURN-Signals zu regeln.

39. Wählschalter AUX RETURN PFL

Mit diesem Schalter (PFL = Pre-Fader Listen) können Sie das Monosignal jedes beliebig ausgewählten Kanals über Kopfhörer oder Monitorausgänge hören. Das Signal ist Post-EQ und unabhängig vom Fader.

40. Wählschalter AUX RETURN L-R

Wenn eingeschaltet, werden die linken und rechten Signale zu den RETURN LEVEL-Regelungen (37) gesendet und in einem linken und rechten Stereo (27) gemischt werden.

41. Wählschalter AUX RETURN G1-2

Wenn eingeschaltet, werden die linken und rechten Signale zu den RETURN LEVEL-Regelungen (37) gesendet und in G1-2 OUT (24) gemischt werden.

42. TAPE LEVEL

Verwenden Sie diese Taste, um die Anzahl Eingangssignale zum Hauptmix zu regeln.

43. PHONES/CTRL ROOM

Regeln Sie den Signalpegel mit dieser Taste und senden Sie ihn zu CTRL R OUT (25) und PHONES OUT (30).

44. Wählschalter MONITOR (PFL, L-R, G1-2)

Dieses Mischpult erlaubt ein separates Monitoring des L-R Hauptmix, des G1-2 Gruppenmix oder des Prefader PFL-Signals über die entsprechenden Schalter.

45. EIN-/AUSSCHALTER PHANTOMSPEISUNG

Wenn Sie Kondensatormikrofone verwenden, dann können Sie +48VDC ein- oder ausschalten. Wenn der Schalter auf "ON" steht, leuchtet die LED der PHANTOMSPEISUNG (25) auf und die Pins 2 und 3 aller Mono XLR-Mikrofoneingänge werden mit einer Spannung von +48VDC versehen.

Sie können symmetrische dynamische Mikrofone oder Line-Level Geräte anschließen, auch wenn der Schalter auf "ON" steht. Wenn Sie unsymmetrische Geräte oder Geräte mit einem Transformator mit zentraler Erdung anschließen, kann ein Brummtön oder ein schlechter Betrieb verursacht werden. Ein Kurzschluss der +48VDC Stromversorgung kann das Mischpult beschädigen. Dämpfen Sie zuerst die Monitore oder die PA-Lautsprecher bevor Sie die Phantomspeisung des Mischpultes ein- oder ausschalten.

46. LED PHANTOMSPEISUNG

Diese rote LED leuchtet wenn die Phantomspeisung eingeschaltet ist.

47. AUX SEND 1-2

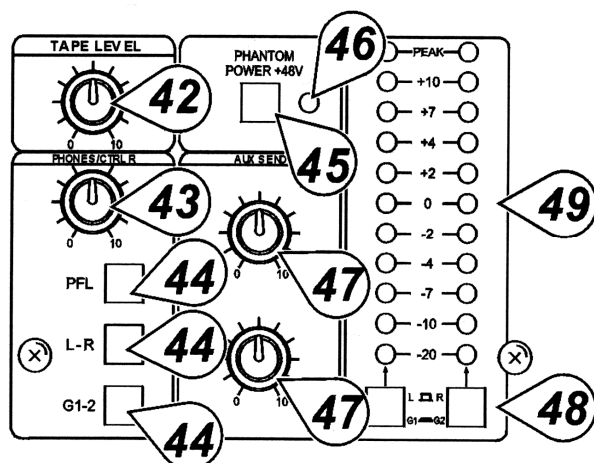
Diese Tasten regeln das Signal zu den zusätzlichen Bussen 1 und 2. Dies ist praktisch für Monitoring über die angeschlossenen Bühnenlautsprecher.

48. Wählschalter METER

Wählen Sie das NIVEAUMETER (49) mit diesen Schaltern. Diese Meter zeigen das Ausgangsniveau oder beide G1- G2-Niveaus an.

49. NIVEAUMETER

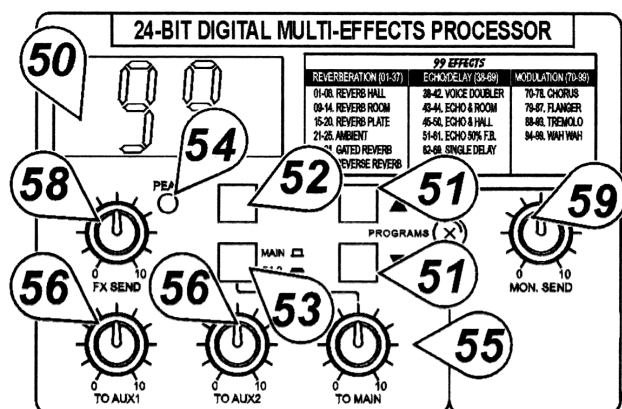
Das Niveaumeter besteht aus grünen, gelben und roten LEDs und einer PEAK-Anzeige. Das Meter reicht von -20dBu bis +10dBu.



d. Digitale Effekte

50. LED-SCHIRM

Dieses digitale Display zeigt das ausgewählte Programm an. Diese Anzeige blinkt bei gedämpftem Schallpegel.



51. ▲ / ▼

Wählen Sie das Programm mit diesen zwei Tasten.

52. EIN-/AUSSCHALTER

Schalten Sie den digitalen Effekt ein oder aus.

53. MAIN/G1-2

Mit diesem Schalter können Sie das digitale Effektsignal zum Hauptmix oder G1-2 senden.

54. CLIP-Anzeige

Diese LED leuchtet wenn das Signal übersteuert. Leuchtet diese LED regelmäßig, so wäre es besser, den Signalpegel zu verringern.

55. TO MAIN

Regeln Sie das Audioniveau vom digitalen Mix zum Hauptmix.

56. TO AUX 1-2

Regeln Sie das Audioniveau stammend vom digitalen Effektprozessor zu den entsprechenden zusätzlichen Mixbussen.

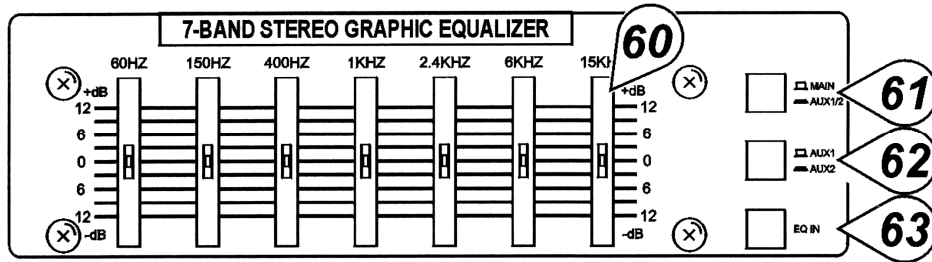
58. FX SEND MASTER

Regelt das endgültige Niveau vom FX-Bus zum FX SEND-Ausgang.

59. MON SEND

Regelt das endgültige Niveau vom MON-Bus zum MON SEND-Ausgang.

e. Grafischer Equalizer



60. GRAFISCHER EQUALIZER

Mit diesem grafischen 7-Band Stereo-Equalizer können Sie den Frequenzbereich des Signals regeln (max. ± 12 dB für jede Frequenz).

61. MAIN/AUX 1-2

Wählen Sie aus, worauf Sie EQ anwenden möchten (allgemeine mix oder AUX 1-2).

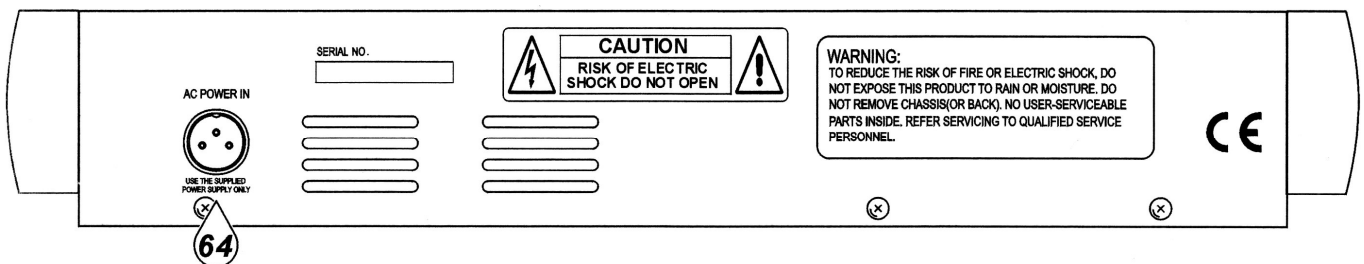
62. AUX 1-2

Wechselt den Equalizer ab zwischen AUX 1 und AUX 2.

63. EQ IN

Beim Ausschalten dieser Taste überbrücken Sie EQ. Kein einziger Ausgang hat infolgedessen einen Effekt.

f. Rückplatte



64. AC-EINSPEISUNG

Verbinden Sie das Stromkabel über diesen Stromversorgungseingang mit dem Gerät.

4. Technische Daten

EINGANG

Eingang	Anschluss	Eingangsimpedanz	Nominalpegel	Max. Niveau
MIC MONO	XLR	> 1.3k Ω	+ 2dBm	+ 14dBm
LINE MONO	1/4" TRS	> 10k Ω	+ 4dBm	+ 22dBm
LINE STEREO	1/4" TRS	> 10k Ω	+ 4dBm	+ 22dBm
TAPE IN	RCA	> 10k Ω	+ 2dBm	+ 22dBm
AUX RETURN	1/4" TS	> 10k Ω	+ 4dBm	+ 22dBm
INSERT IN	1/4" TRS	> 10k Ω	+ 4dBm	+ 22dBm

AUSGANG

Ausgang	Anschluss	Eingangsimpedanz	Nominalpegel	Max. Niveau
STEREO OUT L/R	1/4" TRS	120 Ω	+ 4~6dBm	+ 22dBm
MONO OUT	1/4" TS	120 Ω	+ 4~6dBm	+ 22dBm
G1-2 OUT	1/4" TRS	120 Ω	+ 4~6dBm	+ 22dBm
AUX SEND 1-2	1/4" TS	120 Ω	+ 4~6dBm	+ 20dBm
FX SEND 1-2	1/4" TS	120 Ω	+ 4~6dBm	+ 20dBm
MONITOR SEND	1/4" TS	120 Ω	+ 4~6dBm	+ 20dBm
INSERT OUT	1/4" TRS	120 Ω	+ 4~6dBm	+ 22dBm
CTRL ROOM OUT	1/4" TS	120 Ω	+ 4~6dBm	+ 22dBm
REC OUT	RCA	1k Ω	+ 4~6dBm	+ 22dBm
PHONES	1/4" TRS	100 Ω	-	40mW * 2

FREQUENZBEREICH

Eingang auf Ausgang 20Hz~20kHz +/- 3dB @ 0dBm

KLIRRFAKTOR

Eingang auf Ausgang 0.02%, 20Hz~20kHz @ 1kHz, 0dBm

EQUALIZER EINGANGSKANAL

High 12kHz, +/- 15dB, Q fest auf 2 Oktaven
 Mid 2.5kHz, +/- 15dB, Q fest auf 1 Oktave
 Low 80kHz, +/- 15dB, Q fest auf 2 Oktaven

VERSTÄRKUNGSBEREICH

Trim-Regler Eingangskanal Stopp bis Stopp, MIC +10dB~+60dB, LINE +10dB~+40dB
 Kanal/Master/Mono/G1-2 Fader - ∞ bis +15dB
 Aux send/aux master send off~+15dB
 FX send/FX master send off~+15dB
 Monitor send/monitor master send off~+15dB
 Aux return off~+15dB

CROSSTALK @ 1kHz

Angrenzende Kanäleingänge -78dB~-68dB
 Eingang auf Ausgang -78dB~-68dB

INTERNE DIGITALE EFFEKTE

Effekt 1 99 Programme mit Anzeige für MUTE und CLIP
 Effekt 2 99 Programme mit Anzeige für MUTE und CLIP
 Fußschalter

BRUMMTON UND GERÄUSCH

20Hz~20kHz, $R_s = 150\Omega$, Eingang TRIM @ 0dB, Eingangsempfindlichkeit @ -60dB

Äquivalent Eingangsruschen -129dBm

Ausgangsruschen < 90dBm

VU-METER

Vier 11-stufige VU-Meter mit LEDs (Stereo L-R, Gruppe 1-2)

Spitze rote LED

+10, +7, +4 en +2 gelbe LED

0, -2, -4, -7, -10 und -20 grüne LED

PHANTOMSPEISUNG

+48VDC

STROMVERSORGUNG

120VAC/60Hz oder 230VAC/50Hz

VERBRAUCH

40W, externes Netzteil

ABMESSUNGEN UND GEWICHT

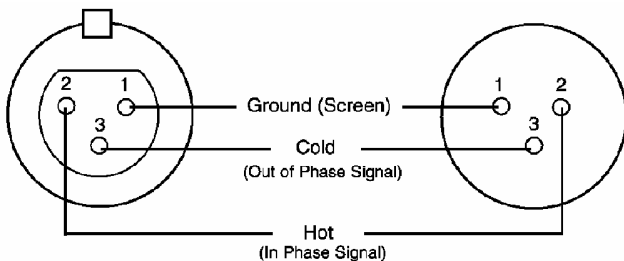
496 x 132 x 494mm, 5.85kg

5. Anschlüsse

Sie dürfen unsymmetrische Geräte mit den symmetrischen Ein- oder Ausgängen verbinden. Verwenden Sie Mono 1/4"-Anschlüsse oder verbinden Sie den Ring oder die Hülse der TRS-Anschlüsse. Verwenden Sie nie unsymmetrische XLR-Anschlüsse mit den MIC-Eingängen wenn Sie die Phantomspeisung verwenden.

Mikrofoneingänge

Gruppen- & Mixausgänge



Buchse

Stecker

	<p>Kopfhörer</p> <ol style="list-style-type: none"> 1. Spitze = Signal links 2. Ring = Signal rechts 3. Hülse = Erdung 4. Spitze 5. Ring 6. Hülse 7. Zugentlastungsklemme 		<p>Unsymmetrische Mono 1/4" Stecker</p> <ol style="list-style-type: none"> 1. Spitze = Signal 2. Hülse = Erdung 3. Spitze 4. Hülse 5. Zugentlastungsklemme 		<p>Symmetrische Stereo-1/4" Stecker</p> <ol style="list-style-type: none"> 1. Spitze = hot (+) 2. Ring = cold (-) 3. Hülse = Erdung 4. Spitze 5. Ring 6. Hülse 7. Zugentlastungsklemme
--	---	--	--	--	--

**Für mehr Informationen zu diesem Produkt, siehe www.hqpower.com.
Alle Änderungen ohne vorherige Ankündigung vorbehalten.**