

MA620B



REMOTE CONTROL MOTORCYCLE ALARM SYSTEM

MOTORALARM MET HF AFSTANDSBEDIENING

ALARME MOTO TELECOMMANDEE

ALARMA MOTO CON MANDO A DISTANCIA

FERNSTEUERBARE MOTORRAD-ALARMANLAGE

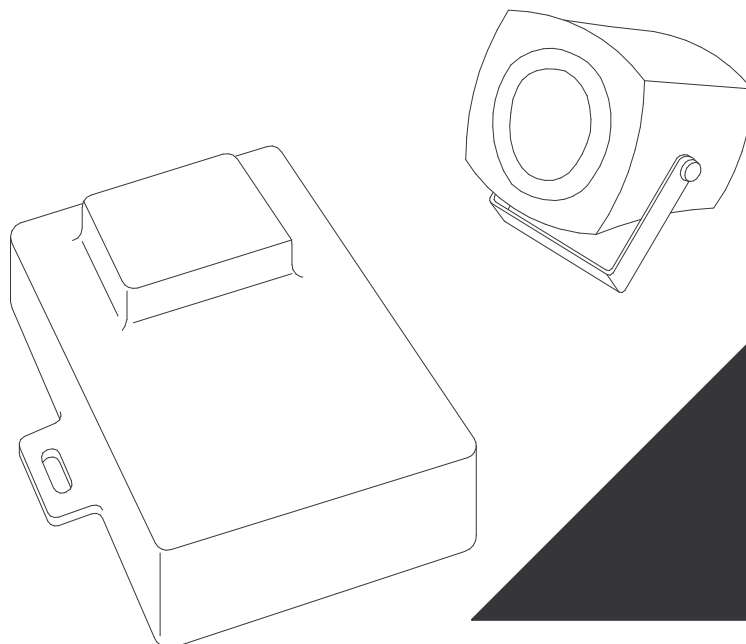
USER MANUAL

GEBRUIKERSHANDLEIDING

NOTICE

MANUAL DEL USUARIO

BEDIENUNGSANLEITUNG



TECHNICAL SPECIFICATIONS

Min. operating voltage	9VDC
Max. operating voltage	15VDC
Power consumption	
arm/disarm	70mA
stand-by	6mA
alarm	140mA
Operating temperature	-35°C to +85°C
Relay output (ignition cut-off)	15A/120VAC
Operating humidity	110% non condensing
Operating range	16 - 40 meter
Transmitter battery replacement	GP23GA, V23GA
Alarm cycle	30 seconds
Passive rearming timer	15 seconds
Self learning code system	118098 codes sequences 472392 different codes
Output sound level	110dB à 1 meter
Impact sensor	fully electronic piezo shock sensor
Vibration	6G repetitive
Alarm delay	3 seconds
Emitter frequency	433.92MHz
Wiring harness	1.5 meter
Flashing light output	10 A
Main fuse (red wire)	3 A
Dimensions	100x60x25mm

OPERATING MANUAL MA620'B
REMOTE CONTROL MOTORCYCLE ALARM SYSTEM

INTRODUCTION

This alarm system will provide years of dependable operation. Yet, quality and longevity of the system is determined by the installation. For information on operating the system, read the operation manual.

IMPORTANT POINTS FOR ALARM INSTALLATION

ALWAYS : Install the alarm on dry, keep away from grease, dirt engine and exhaust parts.

ALWAYS : Disconnect the motorcycle battery before connecting work on the motorcycle.

ALWAYS : Check behind panels before drilling holes. Ensure no wires or components behind panels.

ALWAYS : Use conventional crimp lock, bullet on any wiring.

IMPORTANT : Suggest soldering all connection point, if the wire's current is more than 10 Amps.

This alarm designs to keep installation as simple as possible. However, if problems, please ask advice of a skill person. If someone not familiar with motorcycle electrical installation, we strongly advise seek qualified advice before proceeding.

Before connecting with the wiring of the motorcycle, read the instruction carefully.

TOOLS REQUIRED :

• Wire Crimper	• Electric Drill & Bits
• Wire Stripper	• Socket Set
• Pliers	• Cross Screwdriver
• Voltmeter	• Electronic Tape

GENERAL SPECIFICATIONS :

Power Requirements	+ 12 Volts & Negative Ground
Fuse Ratings	- Red Power wire - 3 Amps
	- White Parking Flash wire - 10 Amps
Current Consumption	Less than 5mA Stand By
Arming Delay	3 seconds
Alarm Timer	30 seconds
Triggers inputs	Ignition switch sensing
	Trigger for optional sensor
	Shock sensor
Receiver channel	3 Channels
Learning limitations	2 Transmitters

INSTALLATION

A. MOUNTING THE SIREN

1. Place the siren in a location suitable for best sound result.

Note : Preferred siren position is facing forward or straight down to the ground. Siren should not be face up.

2. Make and drill two holes to mount the siren.

B. MOUNTING CONTROL MODULE:

The control module should be mounted in the storage box under the seat. The module may be secured by Velcro tape or with screws. Insure that the module is completely secure and will not rattle or come loose.

NOTE :

1. Install the control module on the best chance of remaining dry, free from grease and dirt, away from the engine and exhaust system.
2. Antenna placement is very important! Ensure that it is unwrapped and stretched out with the last 6" straight, as for from metal as possible.

C. INSTALLING THE LED STATUS INDICATOR :

There must be at least 5/8" of distance behind the mounting location as the LED housing will extend back that far. Once a suitable location is chosen, drill a 6mm hole. Run the LED wires through the hole then press the LED housing into the place.

D. INSTALLING THE OVERRIDE / VALET SWITCH :

Mount the override/valet switch in a hidden bus accessible location. Drill a 1/4" hole at the location chosen and use the nut and lock washer provided to secure the override switch. Do not mount the switch where it will get greasy or damaged by moving parts.

WIRING

Keep wiring away from moving engine parts, exhaust pipes and high tension cable. Tape wires that pass through holes on the fire wall to prevent fraying. Watch out sharp edges that may damage wires and cause short circuit.

CAUTION : Do not connect the wire harness to control module until all wiring to vehicle is completed.

A. 11-WIRE HARNESS

1. GREEN WIRE -- GROUND TRIGGER INPUT --

This wire is the ground trigger input wire for other sensor to use with the alarm.

2. & 3. YELLOW WIRE – IGNITION DISABLE WIRE --

Find the wire coming form the ignition key that supplies power to ignition coils. Cut the wire in half and push the start button. The engine will not start, if you found the correct wire. Then connect one yellow wire to half of ignition wire and connect the other yellow wire to another cut half of ignition wire.

4. BLACK WIRE – SYSTEM GROUND –

This is the main ground connection of alarm module. Connect it to a solid section of the motorcycle ground and secured it to ensure a good chassis connection.

5. GRAY WIRE – OVERRIDE / VALET SWITCH WIRE --

Connect the grey wire to any one of the wire from override/valet switch, then connect the other wire from the override switch to ground.

6. RED WIRE – SYSTEM POWER (+12V CONSTANT) –

The red wire supplies power to the system. Connect this wire to a constant + 12V source from battery.

7. & 9. WHITE WIRES – FLASH PARKING LIGHT (+12V 5A OUTPUT)--

When the alarm is triggered, these wires will provide pulse + 12 volts, 5 amps output. Connect one of the two white wires to right light of turning indicators and connect the other wire to left indicator.

8. RED/WHITE WIRE – PARKING LIGHT POWER –

This wire is the "COM" point of parking light.

10. WHITE/BLACK WIRE – SIREN DRIVE OUTPUT –

This is the positive (+) output connection for the siren. Connect this wire to the (+) red wire coming from the siren. And connect the black (-) wire of the siren to a good chassis ground.

11. BLUE WIRE – LED INDICATOR –

This wire is the output wire for the connection of the alarm's LED status indicator. Connect the blue wire to the black wire of the LED indicator. Connect the red wire of the LED indicator to a constant + 12 volts.

B. BLACK THIN WIRE - RF ANTENNA :

The BLACK thin wire on the alarm is the receiver antenna wire. Antenna placement is very important! Ensure that it is unwrapped and stretched out with the last 6" straight and keep it away from large metal objects or chassis for best reception. After installation pass this antenna wire along with other wires through rubber cap for water-proof.

PROGRAMMING AND ADJUSTMENT

After all wiring completed, follow the steps to program transmitter, selector and shock sensitivity.

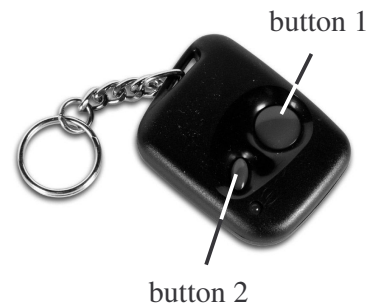
A. PROGRAMMING TRANSMITTER :

Programming the transmitter codes, when the alarm completely installed. (Maximum programming capacity is 4 transmitter to a single alarm unit.) It is important to remember that during programming, each step must execute within 10 seconds of the previous step. When 10 seconds time limit due, the system will automatically exit program mode. It will be indicated by a long "chirp" from the siren.

ENTER PROGRAMMING TRANSMITTER MODE :

1. Turn the ignition switch off - on.
2. Then turn the valet switch on - off 3 times. There will be a chirp for confirmation. It is on programming transmitter mode.
3. Press your transmitter's button I until the alarm send a confirmation chirp. It is programmed.
4. If you have additional transmitters you can follow the step 3 to program additional transmitters.

Note : When first transmitter code is learned it will erase all other prior codes and protect your alarm against unknown codes being entered without your knowledge.



EXIT PROGRAMMING TRANSMITTER CODE:

Turn the ignition switch off when you finish programming.

B. PROGRAMMING SELECTOR and SHOCK SENSOR SENSITIVITY ADJUSTMENT & TESTING :

ENTER PROGRAMMING MODE :

1. Turn the ignition switch on - off.
2. Then turn the valet switch on - off 3 times. There will be a chirp to indicate enter step 1.
3. From step 1 to step 2, step 2 to step 3 and step 3 to step 4 please turn the valet switch on - off enter.

Valet Switch On -Off Time	Chirp Reminder	Select	Press button I with 1 chirp confirmation	Press button II with 2 chirp confirmation
Step 1 :	1 chirp	Passive/Active	Passive	Active
Step 2 : Valet on-off	2 chirp	Chirp on/off	On	Off
Step 3 : Valet on-off again	3 chirp	Siren / Horn	Siren	Horn
Step 4 : Valet on-off again	4 chirp	Enter shock sensor sensitivity adjustment & testing	Exit shock sensor sensitivity adjustment & testing. And save the desirable sensitivity	Choose different level of shock sensor sensitivity

STEP 1 : PASSIVE / ACTIVE ARMING SELECTOR

The selector is used to program the passive or active arming feature. Select 'On' (press button I), the system is in passive mode. That means each time when you leave your motorcycle and turn the ignition off, the LED will begin to fast flashing, after 15 seconds the system will automatically armed itself.

Select 'Off' (press button II), the system is in active mode. That means the system will not automatically armed itself, unless you press the arm button.

STEP 2 : CHIRP SELECTOR

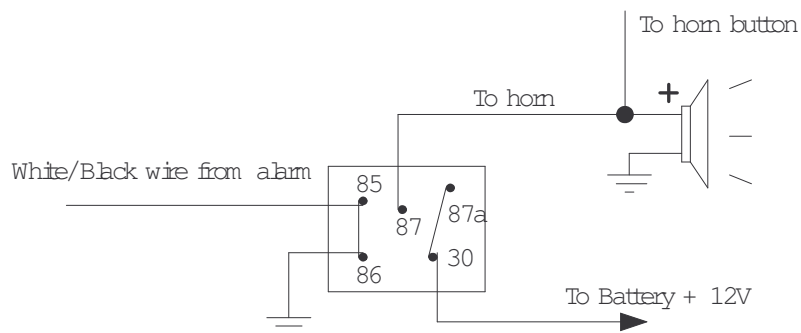
While arm or disarm the system, an audible chirp shows the system's condition. The chirp can select as your desire. Select 'On' (press button I). There will be audible chirp(s), in arming or disarming the system.

Select 'Off' (press button II). There will be silent arming and disarming.

STEP 3 : SIREN / HORN SELECTOR

This system allows the user to select siren or horn as the audible warning device. Select 'On' (press button II). The system must connect with a siren as to send the audible warning.

Select 'Off' (press button II). You must connect the horn to the system. Optional relay needed.



STEP 4 : PROGRAMMING SHOCK SENSOR SENSITIVITY MODE :

Press button II to enter choosing shock sensitivity. By pressing button II again you can scroll through 8 levels and 8 different chirps. The less chirps the more sensitivity the alarm is to shock. 1 chirps is the maximum sensitivity, 7 chirps is the minimum sensitivity, 8 chirps is delete shock sensor.

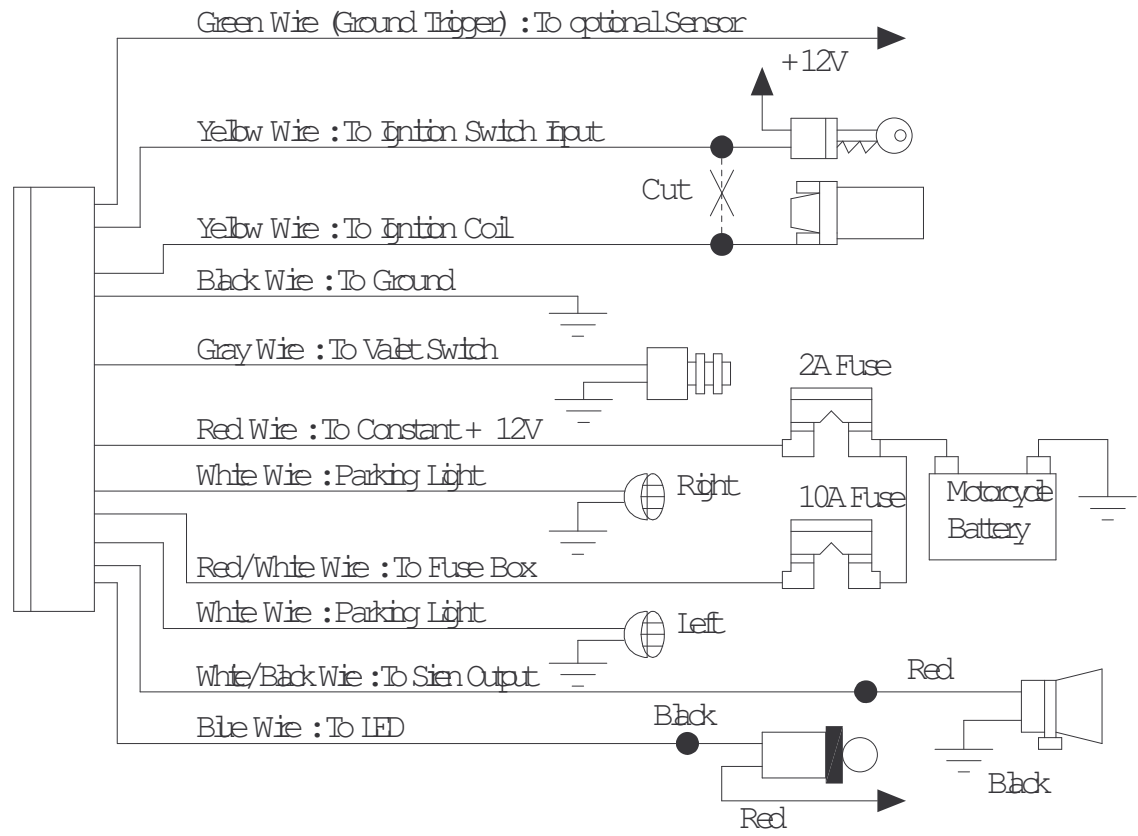
TEST SENSITIVITY :

1. At any time, you can stop an try out the sensitivity by dragging pulling tugging on hitting your motorcycle. The alarm should trigger.
2. To avoid false alarm, please do not set the alarm over sensitivity. Adjust lesser sensitivity that also protect your motorcycle well.

EXIT PROGRAMMING MODE :

Turn ignition switch on-off to exit programming mode. Or during shock sensor programming press button I to exit.

WIRING



OPERATION MANUAL

A. TRANSMITTER OPERATION :

Transmitter Button	System Function	Remark
Button I	Arm / Disarm	
Button I - I	Armed And Delete Shock Sensor	Press 2 Times Within 3 Seconds
Button I	Panic	Press And Hold For 3 Seconds
Button II - I	Silent Arm / Disarm	
Button II	Motorcycle Locator	Press And Hold For 2 Seconds
Button II - II	Valet Mode	Press 2 Times Within 3 Seconds

B. LED INDICATORS :

LED	Function
Off	Disarmed
Slow flashing	Armed
Fast flashing	Passive arming
1 flash pause	Intrusion on ignition circuit
2 flashes ... pause	Intrusion on optional sensor
3 flashes ... pause	Intrusion on shock sensor

C. CHIRP INDICATORS :

Chirp	Function
1 chirp	Arm
2 chirps	Disarm
3 chirps	Temporary valet mode
4 chirps	Disarm / Intrusion

D. PARKING LIGHT :

Parking light	Function
1 flash	Arm
2 flashes	Disarm
3 flashes	Disarm / Intrusion

E. VALET/OVERRIDE FUNCTION :

1. OVERRIDE FUNCTION :

The override/valet switch is used in case of an emergency, such as a lost or malfunction of the transmitter, you can still disarm the system. First turn the ignition switch on, within 15 seconds turn 'on' and 'off' the override/valet switch, the siren will stop and the system will be disarmed.

2. VALET MODE

If the motorcycle is in service, the valet mode feature allows the user to by-pass the alarm system's function. The system will not armed itself.

Enter : Turn the ignition switch 'on' then within 15 seconds turn valet switch to 'on' position, the red LED will turn solid 'on' to indicate the system is in 'valet mode'. You will hear 3 chirps from siren.

Exit : Turn the ignition switch to 'on' position then turn the valet switch to 'off' position. The system will exit valet mode.

F. PASSIVE ARMING :

This system is equipped with a passive arming circuit. It operate as below :

1. Turn 'off' the ignition switch.
2. The LED status indicator begins to fast flashing and the automatic arming timer will begin to count down.
3. After 15 seconds, the alarm will armed itself.

Note : Temporary valet mode :

When the system is in passive arming (LED fast flashing). You can press button II twice within 3 seconds on the transmitter to temporarily by-pass the passive arming. The short chirp will conform this by-pass. (Example : When you get off the motorcycle and filling the gas tank you can use the remote transmitter to by-pass the passive arming).

Exit the mode : Press button I or turn ignition 'on', the system will exit temporary valet mode.

G. ACTIVE ARMING :

1. Press the button I on the transmitter.
2. The siren will chirp once, after 3 seconds the system will be fully armed.

H. ACTIVE DISARMING :

1. Press the button I on the transmitter.
2. The siren will chirp twice to indicate that the alarm is disarmed.

TAMPER DISARMING : If the alarm had been triggered, when you disarm the alarm, the siren will chirp 4 times and the parking lights will flashes 3 times.

I. PANIC ALARMING :

The transmitter can be used as a remote panic switch to manually trigger the alarm in case of an emergency. To do so, hold down the button on transmitter for over 3 seconds and the alarm will become tripped and the siren will begin to sound.

If you want to stop panic alarming, again press the transmitter again will disarm the panic alarming.

J. TRIGGER THE ALARM :

While the system is in armed condition, move the motorcycle, turns the ignition switch 'on' or trigger the optional sensor. The siren and running lights will turn on to alter of an intrusion for 30 seconds. Then it will automatic reset and re-arm.

NOTE : "WARN AWAY" FEATURES :

Trigger the shock sensor, a pre-warning audible tone from siren will warn the intruder to turn back, if the intruder continues (within 20 seconds trigger the detector over 3 times), the siren and running light will turn on alerting of an intrusion.

K. REMOTE MOTORCYCLE LOCATOR :

This alarm is equipped with an motorcycle locator function. Press the hold button II for 2 seconds, the siren will chirp 1 time and parking light will flash 12 times easily for the user to locate his motorcycle.

L. POWER ON ARM FEATURE :

Most of alarms will be disarmed when the car battery disconnected and then re-connected immediately. However, this alarm will be armed not disarmed. This is to prevent the thieves steal your motorcycle once he disconnect motorcycle battery and re-connect.

1. When the system is on valet switch 'off' and ignition switch 'off' condition, once reconnect the power, the system will be armed and panic.
2. When it is on valet 'on' condition, once reconnect the power, 3 chirps from alarm, and the system will be in valet mode.
3. When it is on ignition 'on' condition, once reconnect the power the system will be disarm.

M. TRANSMITTER BATTERY REPLACEMENT :

If the range of your transmitter deteriorate, it is possible that you need to replace the batter.

1. Release the screw from the back of transmitter and remove upper transmitter case with a screwdriver.
2. Remove old battery from transmitter.
3. Install a new battery (12 volt) noting the (+) and (-) marks in the battery area of the transmitter.
4. Replace upper transmitter case with care, don't damage the inside components.
5. Tighten the screw on the back of transmitter.

**GEBRUIKERSHANDLEIDING MA620'B
MOTORALARM MET AFSTANDSBEDIENING**

INLEIDING

Dit is een alarmsysteem waarop u jarenlang kunt vertrouwen. Hoe zorgvuldiger echter de installatie ervan gebeurt, hoe groter de levensduur van dit betrouwbaar antidiefstalsysteem is. De gebruiksvoorschriften van uw alarmsysteem leest u in deze gebruikershandleiding.

BELANGRIJKE VOORZORGSMAATREGELEN

ALTIJD : Het alarmsysteem steeds op een veilige plaats aanbrengen, vrij van vocht, vet- en vuildeeltjes en uitlaatleidingen.

ALTIJD : Het alarmsysteem pas op de motor monteren nadat de accu losgekoppeld is.

ALTIJD : Houd rekening met mogelijke kabels of andere onderdelen die zich achter het booroppervlak zouden kunnen bevinden, voordat u begint te boren.

ALTIJD : Maak alleen gebruik van standaard draadklemmen.

OPMERKING : Indien de stroom meer dan 10A bedraagt, dan is het aanbevolen om alle aansluitpunten te solderen.

De eenvoudige opzet van dit alarmsysteem maakt het bijzonder geschikt om zelf te installeren. Ingeval van twijfel of als u onvoldoende ervaring heeft met motoren, doet u er goed aan professioneel advies in te winnen.

Monteer het alarmsysteem op uw motor pas na de bijbehorende gebruikersaanwijzing aandachtig gelezen te hebben.

BENODIGD MATERIAAL:

• Striptang	• Elektrische boormachine
• Buigtang/combinatietang	• Fitting
• Nijptang	• Kruisschroevendraaier
• Voltmeter	• Kleefband

ALGEMENE SPECIFICATIES :

Voeding		+ 12 Volt & Negatieve Massa
Zekeringwaarden	- Rode voedingsdraad -	3 A
	- Witte draad knipperlichten	10 A
Stroomverbruik		Minder dan 5mA Stand By
Alarmvertraging		3 seconden
Alarmtijd		30 seconden
Triggerschakeling		Sensor contactschakelaar Trigger voor extra sensor Schok sensor
Ontvangstkanalen		3
Zelflerende beperking		2 Zenders

INSTALLATIE

A. INSTALLATIE VAN DE SIRENE

1. Kies een geschikte plaat om de sirene op te monteren voor een optimale geluidswaergeving, liefst horizontaal of verticaal naar de grond toe. Installeer de sirene nooit in de opwaartse richting.
2. Teken en boor 2 gaten in de wand waaraan u de sirene wilt bevestigen.

B. BEDIENINGSMODULE MONTEREN

De meest geschikte plaats voor de module is de opbergdoos onder het zitvlak. Bevestig de module met velcro of schroeven. Ga tenslotte na of er geen gevaar bestaat voor schudden of loskomen van de module.

NOOT :

1. Kies een zo droog mogelijke plaats uit om de bedieningsmodule op te monteren, liefst vrij van vet- en vuildeeltjes en op een veilige afstand van motor en uitlaatpijp.
2. Ook de plaatsing van de antenne dient zo zorgvuldig mogelijk te gebeuren ! Strek de antenne zo recht mogelijk uit en ver genoeg van metalen onderdelen om storingen te voorkomen. Minimale lengte uitgevouwen antenne : 15cm.

C. INSTALLATIE VAN DE LED-INDICATOR :

Houd rekening met een minimale vrije ruimte van 1.5cm voor de plaatsing van de LED. Boor een gat van 6mm doorsnede in de wand en leid de draden door het gat. Druk de LED-behuizing in de wand.

D. INSTALLATIE OVERBRUGGINGSSCHAKELAAR :

Monteer de overbruggingsschakelaar op een verborgen, doch bereikbare plaats. Boor een gat van 6,3 mm doorsnede en breng de overbruggingsschakelaar met de bijgeleverde moer en moerzekering aan de wand aan. Zorg ervoor dat de schakelaar niet in contact komt met vet- of bewegende delen.

BEDRADING

Plaats de kabels op een veilige afstand van bewegende delen, uitlaatpijpen en kabels die onderhevig zijn aan hoge spanningen. Bescherm de draden die door de "brandwand" gaan met tape om smelten te voorkomen. Houd de draden zo ver mogelijk van scherpe, snijdende onderdelen af om het risico op beschadiging, en dus ook op kortsluiting, te beperken.

OPGELET : Sluit de draadhouder pas op de bedieningsmodule aan als alle draden aan de motor zijn gekoppeld.

A. 11-DRADERIGE HOUDER

1. GROENE DRAAD -- MASSAGETRIGGERDE INGANG --
Deze draad kan gebruikt worden om andere sensoren op het alarm aan te sluiten.
2. & 3. GELE DRAAD -- CONTACT AAN/UIT --
Probeer de draad te vinden die de contactsleutel met de ontstekingsproces verbindt. Knip de draad halverwege door en druk op de startknop. De motor zal niet starten indien u de juiste kabel heeft gekozen. Koppel nu de eerste gele kabel aan de ene helft en de tweede gele kabel aan de andere helft van de contactkabel.
4. ZWARTE DRAAD -- SYSTEEMAARDING --

- Dit is de hoofdaarding van de alarmmodule. Koppel de draad aan een robuust deel van de aarding van de motor en klem die stevig vast aan het chassis.
5. **GRIJZE DRAAD -- OVERBRUGGINGSSCHAKELAAR --**
Koppel de grijze draad aan een willekeurige draad van de overbruggingsschakelaar. Gebruik de andere draad vervolgens als aarding.
 6. **RODE DRAAD -- ALARM AAN/UIT (CONSTANT +12V)**
De rode draad zorgt voor de stroomtoevoer (Vereiste spanning : constant + 12V). Koppel deze draad aan een batterijuitgang.
 7. & 9. **WITTE DRADEN -- KNIPPERLICHTEN (+12V 5A UITGANG) --**
Met het alarm ingeschakeld beloopt de spanning in de draden + 12 volts, 5 ampères. Koppel de witte draden aan de richtingaanwijzers (respectievelijk één voor rechts, één voor links).
 8. **ROOD/ WITTE DRAAD -- RICHTINGAANWIJZERS AAN/UIT --**
Deze draad is het gemeenschappelijke punt van de richtingaanwijzers
 10. **ZWART/WITTE DRAAD -- SIRENE UITGANG --**
Positieve + uitgang van de sirene. Koppel deze draad aan de rode (+) draad van de sirene. Gebruik vervolgens de zwarte (-) draad van de sirene als aarding door deze aan het frame vast te maken.
 11. **BLAUWE DRAAD -- LED INDICATOR --**
Uitgangsdraad voor de aansluiting van de LED-indicator. Koppel de blauwe draad aan de zwarte draad van de LED-indicator. Verbind de rode draad van de LED met een continue +12V-bron.

B. ZWARTE DUNNE DRAAD -- HOOGFREQUENTANTENNE --

De dunne ZWARTE draad op het alarm zelf is de hoogfrequentantenne. De plaatsing van de antenne dient zo zorgvuldig mogelijk te gebeuren ! Streck de antenne zo recht mogelijk uit en ver genoeg van metalen onderdelen om storingen te voorkomen. Minimale lengte : 15 cm. Na het monteren dient u deze draad, samen met de andere draden, in de waterdichte, rubberen huls te geleiden om elke vorm van beschadiging te voorkomen.

PROGRAMMEREN EN INSTELLEN VAN HET ALARMSYSTEEM

Nu alle onderdelen van het alarmsysteem op het motorrijwiel zijn aangesloten, rest nog het instellen van de afstandsbediening, de keuzeschakelaar en de schoksensor.

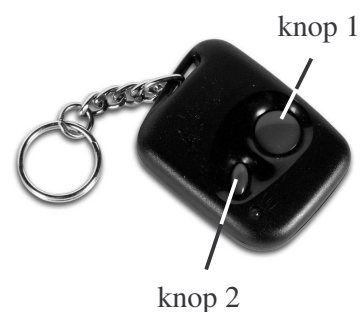
A. DE AFSTANDBEDIENING (ZENDER) PROGRAMMEREN

De afstandsbediening pas programmeren als alle onderdelen van het antidiefstalsysteem geïnstalleerd zijn (maximaal 4 zenders per alarmmodule). Houd er rekening mee dat de maximale wachttijd tussen twee programmeerstappen 10 seconden bedraagt. Indien u na een opdracht te lang wacht om de volgende stap uit te voeren, schakelt het programma zichzelf na 10 seconden automatisch uit. Dit merkt u dan ook aan de typische lange beep van het alarm.

PROGRAMMEREN VAN DE ZENDCODE :

1. Zet de contactschakelaar uit/aan.
2. Zet vervolgens de overbruggingsschakelaar 3 keer achter elkaar aan/uit. Zodra u het signaal hoort, bevindt u zich in de programmeermodus.
3. Houd de vinger op knop I gedrukt totdat u een bevestigingssignaal hoort. Het is geprogrammeerd.
4. Verscheidende codes programmeren, kan eveneens. Herhaal stap 3 zo vaak als nodig.

Noot : Bij het ingeven van de eerste code worden alle vorige codes uit het geheugen gewist, dus ook de codes die buiten uw weten om geprogrammeerd werden.



EINDE ZENDCODE PROGRAMMEREN :

Zet de contactschakelaar uit zodra u klaar bent.

B. INSTELLEN en TESTEN KEUZESCHAKELAAR EN SCHOKSENSOR :

PROGRAMMEER MODE :

1. Zet de contactschakelaar aan/uit.
2. Zet vervolgens de overbruggingsschakelaar 3 maal aan/uit. Ga over naar stap 1 zodra u het signaal hoort
3. Zet de overbruggingsschakelaar aan/uit om achtereenvolgens van stap 1 naar stap 2, van stap 2 naar stap 3 en van stap 3 naar stap 4 over te gaan.

Knop AAN/UIT Tijdstip	Aantal signalen	Kies uit :	Druk op knop I met 1 bevestigingsbeep	Druk op knop II met 2 bevestigingsbeeps
Stap 1 :	1 beep	Passief/Actief	Passief	Actief
Stap 2 : Overbruggings- schakelaar aan/uit	2 beeps	Signaal aan/uit	Aan	Uit
Stap 3 : Opnieuw overbruggings- schakelaar aan/uit	3 beeps	Sirene / Hoorn	Sirene	Hoorn
Stap 4 : Opnieuw overbruggings- schakelaar aan/uit	4 beeps	Inschakelen en testen van de schoksensor	Programmeermodus van de schoksensor verlaten. Gewenste gevoeligheidsgraad wordt in het geheugen opgeslagen.	Wijzigen gevoeligheidsgraad schoksensor.

STAP 1 : PASSIEF / ACTIEF ACTIVERINGSKEUZE

U kunt kiezen tussen een actieve of passieve activatie van het alarm.

'AAN' (druk op knop I) betekent in dit geval dat u kiest voor de passieve mode, m.a.w. van zodra u de motor afzet en van uw motor afstapt, zal de LED automatisch beginnen te flikkeren en zal het alarm na 15 seconden wachttijd van zelf geactiveerd worden.

'UIT' (druk op knop II) betekent dat u ervoor opteert het alarm manueel in te schakelen. M.a.w. het alarm gaat pas af wanneer u de juiste knop indrukt.

STAP 2 : SIGNAAL AAN/UIT SELECTEREN

Terwijl het systeem in- of uitgeschakeld wordt, hoort u aan het signaal, hoe het systeem momenteel geprogrammeerd is. U kunt het signaal zelf al dan niet activeren.

'AAN' (druk op knop I) betekent dat het signaal hoorbaar moet blijven.

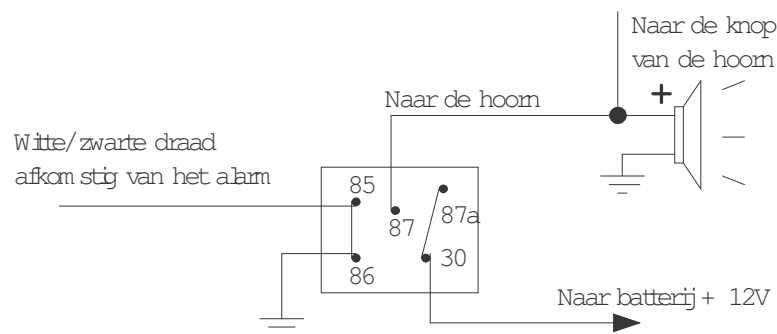
'UIT' (druk op knop II) betekent dat u het signaal niet wil horen, wanneer u het alarm activeert of desactiveert.

STAP 3 : SIRENE / HOORN SELECTEREN

U heeft de keuze tussen twee soorten alarmsignalen : via de sirene of via de hoorn.

'AAN' (druk op knop I) betekent in dit geval dat u het systeem aan een sirene moet koppelen om het signaal te kunnen waarnemen.

'UIT' (druk op knop II) betekent dat u het systeem aan de hoorn moet koppelen. Hiervoor is wel een extra relais nodig.



STAP 4 : GEVOELIGHEID SCHOKSENSOR INSTELLEN :

Druk op knop II om de gevoeligheid van de sensor te regelen. Druk opnieuw op knop II om de 8 verschillende gevoeligheidsgraden en signalen weer te geven. De gevoeligheid voor schokken op en rond uw motor is kleiner naarmate u het aantal signalen verhoogt. M.a.w. met 1 beep is de gevoeligheid maximaal ; bij 7 beeps is de gevoeligheid minimaal ; 8 beeps om de schoksensoren uit te schakelen.

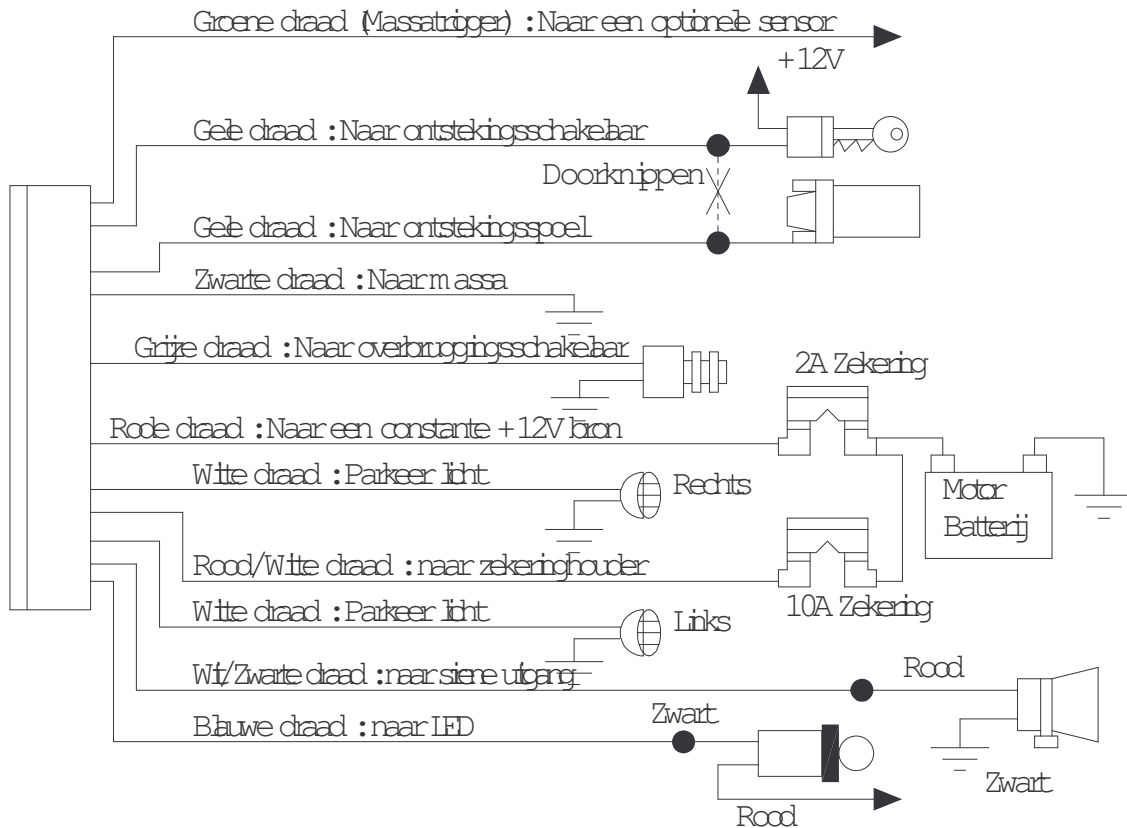
GEVOELIGHEIDSCONTROLE :

1. U kunt op elk ogenblik de gevoeligheid van de sensor uittesten door aan uw motor te trekken of te duwen of door erop te slaan. Normaal gezien zou het alarm moeten afgaan.
2. U kunt loos alarm vermijden door de gevoeligheid van het alarm wat te minderen. Stel uw alarmsysteem wel zo in, dat uw motor beschermd blijft tegen diefstal.

PROGRAMMEERMODUS VERLATEN :

Zet de contactschakelaar aan/uit om de programmeerfunctie te verlaten of druk op knop I terwijl u de schoksensoren aan het instellen bent.

BEDRADING



GEBRUIKSAANWIJZING

A. AFSTANDSBEDIENING (ZENDER) :

Zend knop	Systeefunctie	Opmerking
Knop I	Alarm aan/uit	
Knop I - I	Alarm aan, schoksensor niet actief	Knop twee maal binnen 3 seconden indrukken
Knop I	Paniek	Knop gedurende 3 seconden ingedrukt houden
Knop II - I	Alarm aan/uit zonder beeps	
Knop II	Motor opsporingssensor	Knop gedurende 2 seconden ingedrukt houden
Knop II - II	Overbruggingsmodus	Knop twee maal binnen 3 seconden indrukken

B. INDICATIE LEDS :

LED	Functie
Uit	Alarm is gedesactiveerd
Traag knipperend	Systeem is geactiveerd
Snel knipperend	Passief geactiveerd
1 knippering ... pauze	Poging tot diefstal opgevangen door het ontstekingscircuit
2 knipperingen ... pauze	Poging tot diefstal opgevangen door extra sensor
3 knipperingen ... pauze	Poging tot diefstal opgevangen door schoksensor

C. BEEP SIGNALLEN

Beeps	Functie
1 beep	Alarm is geactiveerd
2 beeps	Alarm is gedesactiveerd
3 beeps	Tijdelijke overbruggingsfunctie ingeschakeld
4 beeps	Alarm is gedesactiveerd / poging tot diefstal

D. PARKEER LICHTEN :

Parkeer licht	Functie
1 knippering	Alarm is geactiveerd
2 knipperingen	Alarm is gedesactiveerd
3 knipperingen	Alarm is gedesactiveerd / poging tot diefstal

E. OVERBRUGGINGSFUNCTIES :

1e FUNCTIE :

De overbruggingsschakelaar wordt in noodgeval gebruikt, zodat u het alarm ook bij verlies of defect van de afstandsbediening kunt aan- of uitzetten. Zet de contactschakelaar aan. Zet de overbruggingsschakelaar binnen 15 seconden achtereenvolgens aan en uit, teneinde de sirene stop te zetten en het systeem uit te schakelen.

2e FUNCTIE :

De overbruggingsfunctie laat u eveneens toe de automatische alarmfunctie tijdelijk uit te schakelen wanneer de motor binnen moet voor een onderhoudsbeurt. Het alarm zal dan ook niet vanzelf afgaan.

AAN : Zet achtereenvolgens de contactschakelaar en, binnen de 15 seconden, de overbruggingsschakelaar AAN. U bevindt zich in de overbruggingsmodus zodra de LED permanent oplicht, gevolgd door 3 signalen.

UIT : Zet achtereenvolgens de contactschakelaar aan en de overbruggingsschakelaar UIT om deze modus te verlaten.

F. PASSIEF ACTIVEREN :

Dit antidiefstalsysteem is uitgerust met een passieve vergrendelingsfunctie, die op de volgende manier kan worden geactiveerd.

1. Zet het contact uit.
2. De alarm-timer wordt op gang gebracht zodra het desbetreffende indicatielampje begint te knipperen.
3. Na 15 seconden wachttijd, staat het alarm op scherp.

Noot : Tijdelijke overbruggingsmodus :

Wanneer de passieve vergrendeling aan staat (LED-lichtje flinkt), druk dan binnen 3 seconden twee maal op knop II om de passieve vergrendeling tijdelijk uit te schakelen. Uw opdracht wordt door een korte beep bevestigd. (Dit kan bijvoorbeeld nodig zijn indien u van uw motor afstapt om bij te tanken. In zo'n geval kunt u het systeem met behulp van de afstandsbediening in overbruggingsmodus zetten.)

De tijdelijke overbruggingsfunctie kunt u verlaten eenvoudig door knop I weer in te drukken of door de sleutel in het contact te steken.

G. ACTIEF ACTIVEREN :

1. Druk op knop I van de afstandsbediening (zender).
2. Na 3 seconden wachttijd na het signaal is het alarm geactiveerd.

H. ACTIEF DESACTIVEREN :

1. Druk op knop I van de afstandsbediening (zender).
2. Het dubbele signaal geeft aan dat het systeem uitgeschakeld is.

ALARM DESACTIVEREN WANNEER HET ALARM IS AFGEGAAN : Indien u het alarm uitschakelt nadat het afgegaan is, zal de sirene 4 maal afgaan en zullen de richtingaanwijzers 3 maal knipperen

I. PANIEKFUNCTIE :

Met behulp van de afstandsbediening kunt u bij onraad het alarm manueel inschakelen. In dit geval dient u de afstandsbedieningsknop langer dan 3 seconden ingedrukt te houden, zodat het alarm een puls ontvangt en de sirene begint te loeien.

U kunt de paniektfunctie weer uitzetten door opnieuw op de afstandsbedieningsknop te drukken.

J. ALARM LATEN AFGAAN :

Schakel het alarmsysteem in, verplaats de motor en zet de contactschakelaar of de extra sensor aan. Vanaf dit moment zal de sirene automatisch gedurende 30 seconden loeien, net zoals bij een gewoon alarm, en zullen de richtingaanwijzers beginnen te knipperen. Na deze 30 seconden wordt het alarm automatisch uitgezet en weer op scherp gezet.

NOOT : WAARSCHUWINGSSIGNAAL

Schakel de schoksensor in. In geval van diefstal, krijgt de dief eerst een waarschuwingssignaal te horen. Indien hij toch in de buurt van uw motor blijft (binnen 20 seconden drie maal de sensor triggeren), gaan de sirene en de koplichten automatisch aan.

K. OPSPORINGSFUNCTIE :

Dit antidiefstalsysteem is uitgerust met een opsporingsfunctie. Houd knop II van uw afstandsbediening gedurende 2 seconden ingedrukt. Na het herkenbare signaal, gaan de richtingaanwijzers automatisch 12 keer knipperen, zodat u uw motor makkelijk, bijvoorbeeld op een parkeerplaats, kunt terugvinden.

L. INGEBOUWDE NOODSTROOMVOORZIENING :

De meeste antidiefstalsystemen slaan af wanneer de accu kort na elkaar uit- en weer ingeschakeld wordt. Dit alarmsysteem echter blijft operationeel, ook al is uw accu buiten gebruik. Dit dient uiteraard om te voorkomen dat dieven het alarmsysteem zouden uitschakelen door de batterij achtereenvolgens los te koppelen en dan weer aan te sluiten.

1. De overbruggingsschakelaar en contactschakelaar staan uit. Zodra er aansluiting is, wordt het systeem automatisch ingeschakeld en treedt de paniekt functie in werking.
2. De overbruggingsschakelaar staat 'aan'. Zodra er aansluiting is, zendt het alarm 3 signalen uit. Het systeem schakelt nu vanzelf over naar de overbruggingsmodus.
3. De contactschakelaar staat 'aan'. Zodra er aansluiting is, slaat het systeem af.

M. BATTERIJ VAN AFSTANDSBEDIENING VERVANGEN :

Zodra de zendkracht van uw afstandsbediening merkbaar begint af te zwakken, wordt het tijd om de batterij te vervangen.

1. Draai de schroef aan de achterkant van de afstandsbediening los en verwijder de bovenklep met behulp van een kruisschroevendraaier.
2. Verwijder de oude batterij.
3. Vervang de batterij (12 volt), rekening houdend met de - en + tekening op de batterijhuls.
4. Leg de bovenklep van de afstandsbediening zorgvuldig terug, zonder de inhoud van het doosje te beschadigen.
5. Schroef de twee delen van de afstandsbediening weer aan elkaar vast.

MODE D'EMPLOI MA620'B
SYSTEME D'ALARME POUR MOTOS COMMANDE A DISTANCE

INTRODUCTION

Ce système d'alarme fonctionnera de manière fiable durant de nombreuses années. Toutefois, la qualité et la longévité du système sont tributaires de la manière dont vous l'installez. Pour toute information sur le fonctionnement du système, référez-vous au manuel d'utilisation.

POINTS IMPORTANTS POUR L'INSTALLATION DE L'ALARME

TOUJOURS : Installer l'alarme sur une surface sèche, exempte de graisse, loin des parties sales du moteur et des pièces d'échappements.

TOUJOURS : Débrancher la batterie de la moto avant d'effectuer un travail sur le système électrique.

TOUJOURS : Vérifier l'arrière des panneaux avant de percer des trous. Veillez à ce qu'aucun fil ou composant n'y soit présent.

TOUJOURS : Utiliser du matériel conventionnel pour la manipulation du câblage.

IMPORTANT : Nous vous suggérons de souder tous les points de connexion dont le courant électrique est supérieur à 10 A.

Cette alarme a été conçue de façon à simplifier au maximum l'installation. Toutefois, en cas de problème, demandez l'avis d'une personne qualifiée avant d'entamer l'installation.

Avant d'effectuer la connexion électrique à la moto, veuillez lire attentivement les instructions.

OUTILS NECESSAIRES :

• Pince	• Perceuse électrique & mèches
• Pince à dénuder	• Prises
• Tenaille	• Tournevis Cruciforme
• Voltmètre	• Ruban adhésif Isolant

SPECIFICATIONS GENERALES :

Alimentations	+ 12 Volts & Masse négative
Capacité fusibles	- fil d'alimentation rouge - 3 A
	- fil du clignotant blanc - 10 A
Consommation	Moins de 5mA en mode veille
Temps d'armement	3 secondes
Retardateur d'alarme	30 secondes
Entrées de déclenchement	Détecteur d'allumage
	Capteur optionnel
	Détecteur de vibrations
Canaux de réception	3 canaux
Limitations de programmation	2 émetteurs

INSTALLATION

A. MONTAGE DE LA SIRENE

1. Placez la sirène dans un endroit permettant une restitution sonore optimale.

Note : La sirène sera idéalement dirigée vers l'avant ou vers le sol. Evitez de la diriger vers le haut.

2. Marquez et percez deux trous pour le montage de la sirène.

B. MONTAGE DU MODULE DE COMMANDE :

Montez le module de commande dans la boîte d'accumulation située sous le siège. Vous pouvez le fixer au moyen d'une bande velcro ou de vis. Veillez à fixer solidement le module pour qu'il ne bouge pas ni ne se détache.

NOTE :

1. Installez le module de commande dans un endroit où il a les meilleures chances de rester sec, exempt de graisse et de souillures, à l'abri du moteur et du système d'échappement.

2. Le placement de l'antenne est primordial! Veillez à ce qu'elle soit déballée et que les derniers 15 cm soient bien tendus et bien droits, le plus loin possible de tout objet métallique.

C. INSTALLATION DE L'INDICATEUR DE STATUS (DEL) :

Prévoyez un espace d'au moins 1,5 cm derrière le système d'alarme pour le boîtier de la DEL. Lorsque vous avez choisi l'endroit approprié, percez un trou de 6 mm. Faites passer les fils de la DEL à travers le trou, puis fixez le boîtier de la DEL.

D. INSTALLATION DE L'INTERRUPTEUR OVERRIDE / VALET :

Placez le commutateur override/valet dans un endroit caché mais accessible. Percez un trou de 6,3 mm à l'endroit choisi et fixez le commutateur override au moyen de l'écrou et de la rondelle de fermeture fournis. Ne placez pas le commutateur dans un endroit où il pourrait être taché de graisse ou endommagé par des pièces mobiles.

CÂBLAGE

Maintenez le câblage à l'abri des pièces de moteur mobiles, des tuyaux d'échappement et des câbles à haute tension. Attachez les fils passant par des trous sur la paroi d'allumage au moyen de ruban adhésif pour éviter qu'ils s'effilochent. Prenez garde aux bords coupants pouvant endommager les fils et provoquer des court-circuits.

ATTENTION : Ne connectez pas les fils au module de commande avant que l'entièreté du câblage de véhicule ne soit achevé.

A. 11-FILS

1. FIL VERT -- ENTREE DE DECLENCHEMENT PAR MISE A LA MASSE --

Ce fil est le fil d'entrée de déclenchement par mise à la masse pour les autres capteurs qui seront utilisés avec l'alarme.

2. & 3. FIL JAUNE -- FIL DE COUPURE A L'ALLUMAGE --

Prenez le fil partant de la clé de contact qui assure l'alimentation de la bobine d'allumage. Coupez ce fil en deux et enfoncez le bouton de contact. Si vous avez trouvé le bon fil le moteur ne démarrera pas. Ensuite, connectez un fil jaune à la moitié du fil partant du contact et l'autre fil jaune à l'autre moitié de ce fil.

4. FIL NOIR -- MASSE DU SYSTEME --

Ce fil assure la connexion principale à la masse du module d'alarme. Connectez-le à une section solide de la masse de la moto et fixez-le de manière à obtenir une bonne connexion au châssis.

5. FIL GRIS -- FIL DU COMMUTATEUR OVERRIDE / VALET --

Connectez le fil gris à n'importe quel fil partant du commutateur override/valet, puis connectez l'autre fil partant du commutateur override à la masse.

6. FIL ROUGE -- ALIMENTATION DU SYSTEME (+ 12 V CONSTANT)

Le fil rouge assure l'alimentation du système. Connectez-le à une source + 12V constant de la batterie.

7. & 9. FILS BLANCS -- CLIGNOTEUR (SORTIE 5A +12V)--

Lors du déclenchement de l'alarme, ces fils transmettront une impulsion +12V 5A. Connectez l'un des deux fils blanc au clignoteur droit et l'autre au clignoteur gauche.

8. FIL ROUGE/BLANC -- ALIMENTATION CLIGNOTEUR --

Ce fil est le point "COM" du clignotant.

10. FIL BLANC/NOIR -- SORTIE DE LA SIRENE --

Il s'agit de la connexion de sortie positive (+) pour la sirène. Connectez ce fil au fil rouge (+) partant de la sirène et connectez le fil noir (-) de la sirène à une masse de châssis.

11. FIL BLEU -- INDICATEUR DEL --

Ce fil constitue le fil de sortie pour la connexion de l'indicateur de statut DEL de l'alarme. Connectez le fil bleu au fil noir de l'indicateur DEL. Connectez le fil rouge de l'indicateur DEL à une source +12 volts constant.

B. FIN FIL NOIR -- ANTENNE RF -- :

Le fin fil NOIR sur l'alarme constitue l'antenne réceptrice. Le placement de l'antenne est primordial ! Veillez à ce qu'elle soit déballée et que les derniers 15 cm soient bien tendus et bien droits, le plus loin possible de tout objet métallique de grand format ou du châssis, et ce en vue d'une réception optimale. Après l'installation, faites passer ce fil d'antenne avec les autres fils par la protection en caoutchouc afin d'assurer l'étanchéité.

PROGRAMMATION ET REGLAGE

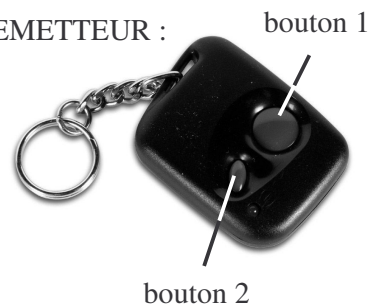
Lorsque le câblage est achevé, suivez les étapes pour la programmation de l'émetteur, du sélecteur et de la sensibilité aux vibrations.

A. PROGRAMMATIONS DE L'EMETTEUR :

Programmez les codes de l'émetteur lorsque l'alarme est complètement installée. (Un maximum de 4 émetteurs peuvent être programmés sur une seule unité d'alarme). Gardez à l'esprit que durant la programmation, chaque étape doit être effectuée dans les 10 secondes suivant l'étape précédente. Après 10 secondes, le système quitte automatiquement le mode de programmation et la sirène émet un long "bip" pour l'indiquer.

SELECTIONNEZ LE MODE DE PROGRAMMATION DE L'EMETTEUR :

1. Placez le bouton de contact en position "éteint - allumé".
2. Ensuite, placez le commutateur valet en position "allumé/éteint" 3 fois de suite. Un bip de confirmation sera émis pour indiquer que le mode de programmation de l'émetteur est activé.



3. Appuyez le bouton I de l'émetteur et maintenez-le enfoncé jusqu'à ce que l'alarme émette un bip de confirmation. La programmation est faite.
 4. Si vous disposez de plusieurs émetteurs, suivez l'étape 3 pour les programmer.
- Note : Lorsque le premier code d'émission est introduit, tous les autres précédents seront effacés et votre alarme sera protégée contre l'introduction impromptue de codes dont vous n'auriez pas connaissance.

SORTIE DU MODE DE PROGRAMMATION DE L'EMETTEUR :

Placez le bouton de contact en position "éteint" lorsque la programmation est achevée.

B. PROGRAMMATION DU SELECTEUR ET REGLAGE et TEST DE LA SENSIBILITE DU DETECTEUR DE VIBRATIONS :

SELECTIONNEZ LE MODE DE PROGRAMMATION :

1. Placez le bouton de contact en position "allumé/éteint".
2. Ensuite, placez le commutateur valet en position "allumé/éteint" 3 fois de suite. Un bip retentira pour indiquer la programmation de l'étape 1.
3. Pour passer de l'étape 1 à 2, de l'étape 2 à 3 et de l'étape 3 à 4, placez le commutateur valet en position "allumé/éteint" pour effectuer la programmation.

Commutateur valet "allumé/éteint" Temps	Bip de rappel	Sélection	Enfoncer le bouton I avec 1 bip de confirmation	Enfoncer le bouton II avec 2 bips de confirmation
Etape 1 :	1 bip	Passif / actif	Passif	Actif
Etape 2 : Valet "allumé/éteint"	2 bips	Bip "allumé / éteint"	"Allumé"	"Eteint"
Etape 3 : Valet à nouveau "allumé/éteint"	3 bips	Sirène / Klaxon	Sirène	Klaxon
Etape 4 : Valet à nouveau "allumé/éteint"	4 bips	Mode de réglage et test de la sensibilité du détecteur de vibrations	Quitter le réglage et le test de la sensibilité du détecteur de vibrations. Et sauver la sensibilité souhaitée	Choisir un niveau de sensibilité différent du détecteur de vibrations

ETAPE 1 : SELECTEUR D'ARMEMENT PASSIF / ACTIF

Le sélecteur est utilisé pour programmer l'armement passif ou actif du système d'alarme.

Si vous sélectionnez 'Allumé' (bouton I), le système est en mode passif. Chaque fois que vous vous éloignez de votre moto et que vous coupez le contact, la DEL commencera à clignoter rapidement. Après 15 secondes, le système s'armera automatiquement.

Si vous sélectionnez "Eteint" (bouton II), le système est en mode actif. Il s'armera uniquement si vous appuyez le bouton d'armement.

ETAPE 2 : SELECTEUR DE TONALITE

Lorsque vous armez ou désarmez le système, un bip sonore indique l'état du système. Le bip peut être sélectionné comme vous le souhaitez.

Si vous sélectionnez "Allumé" (bouton I), un ou plusieurs bip(s) sonore(s) retentira (retentiront) lorsque vous armez ou désarmez le système.

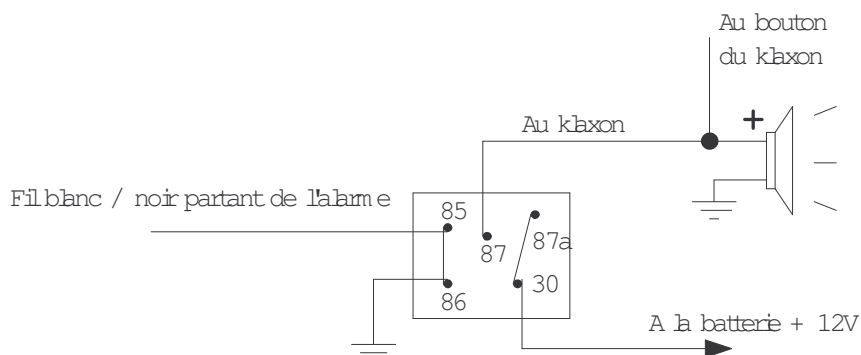
Si vous sélectionnez 'Eteint' (bouton II), l'armement et le désarmement seront silencieux.

ETAPE 3 : SELECTEUR SIRENE / KLAXON

Ce système permet à l'utilisateur de sélectionner la sirène ou le klaxon comme système d'alarme.

Si vous sélectionnez "Allumé" (bouton I), le système doit être connecté à la sirène pour émettre l'avertissement sonore.

Si vous sélectionnez "Éteint" (bouton II), vous devez connecter le klaxon au système. Dans ce cas, un relais optionnel est nécessaire.



ETAPE 4 : MODE DE PROGRAMMATION DE LA SENSIBILITE DU DETECTEUR DE VIBRATIONS

Enfoncez le bouton II pour sélectionner la sensibilité souhaitée aux vibrations. Réenfoncez le bouton II pour parcourir les 8 niveaux et les 8 tonalités différentes. Moins il y a de bips, plus l'alarme est sensible aux vibrations. 1 bip représente la sensibilité maximale, 7 bips la sensibilité minimale, 8 bits signifient la désactivation du détecteur de vibrations.

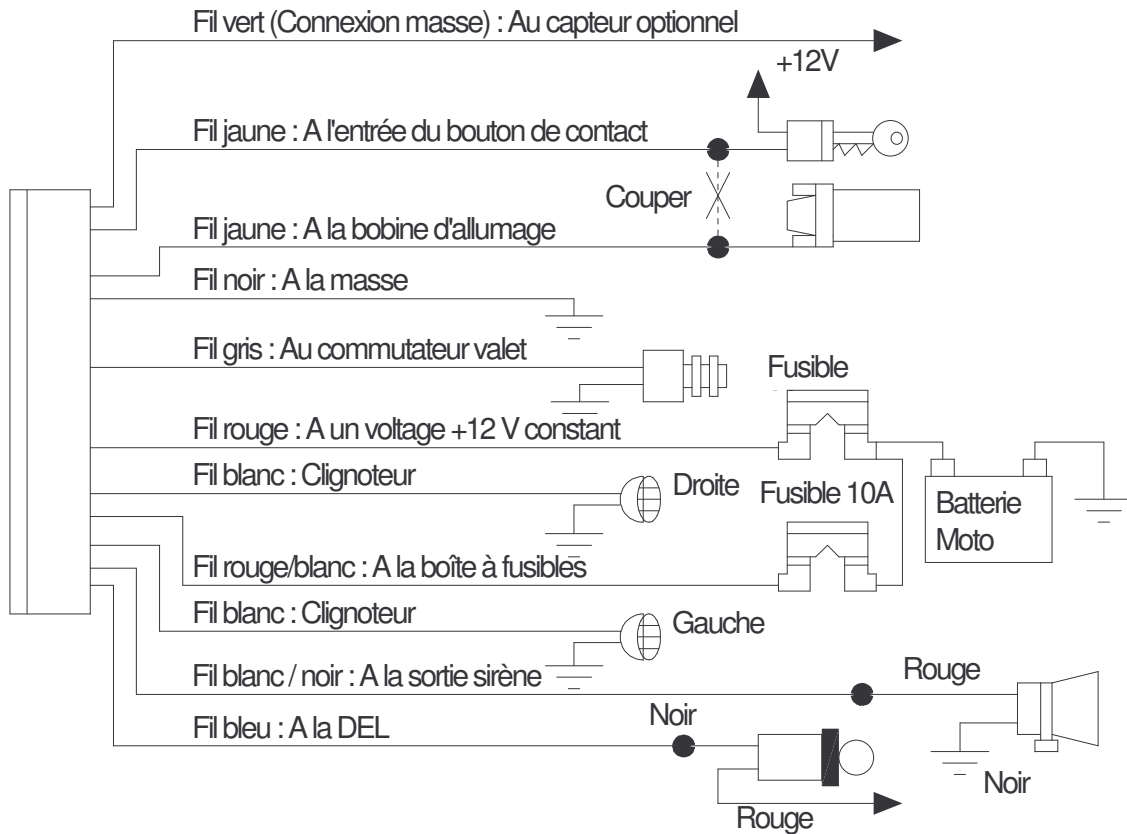
TEST DE LA SENSIBILITE :

1. A n'importe quel moment, vous pouvez vous arrêter et tester la sensibilité en soumettant votre véhicule à des chocs. L'alarme devrait se déclencher.
2. En vue d'éviter un déclenchement intempestif de l'alarme, ne sélectionnez pas une sensibilité trop élevée. D'autre part, veillez à ce que la sensibilité permette également une protection adéquate de votre véhicule.

SORTIE DU MODE DE PROGRAMMATION :

Placez le bouton de contact en position "allumé/éteint" pour quitter le mode de programmation. Si vous êtes en cours de programmation du détecteur de vibrations, enfoncez le bouton I pour quitter ce mode.

CABLAGE



MANUEL D'UTILISATION

A. FONCTIONNEMENT DE L'EMETTEUR

Bouton de l'émetteur	Fonction du système	Remarque
Bouton I	Armement / Désarmement	
Bouton I - I	Armement et désactivation du détecteur de vibrations	Enfoncer deux fois en 3 secondes
Bouton I	Panique	Appuyez et maintenir enfoncé pendant 3 secondes
Bouton II - I	Armement / Désarmement silencieux	
Bouton II	Localisation de la Moto	Appuyez et maintenir enfoncé pendant 2 secondes
Bouton II - II	Mode Valet	Appuyez deux fois en 3 secondes

B. INDICATEURS DEL :

DEL	Fonction
Eteint	Désarmé
Clignote lentement	Armé
Clignote rapidement	Armement passif
Clignote 1 fois ... pause	Intrusion sur le circuit de contact
Clignote 2 fois ... pause	Intrusion sur le capteur optionnel
Clignote 3 fois ... pause	Intrusion sur le détecteur de vibrations

C. INDICATEURS SONORES :

Bip	Fonction
1 bip	Armement
2 bips	Désarmement
3 bips	Mode valet temporaire
4 bips	Désarmement / Intrusion

D. CLIGNOTANT :

Clignotant	Fonction
Clignote 1 fois	Armement
Clignote 2 fois	Désarmement
Clignote 3 fois	Désarmement / Intrusion

E. FONCTION VALET/OVERRIDE :

1. FONCTION OVERRIDE :

Le commutateur override/valet est utilisé en cas d'urgence, comme lors de la perte de l'émetteur ou d'un mauvais fonctionnement de celui-ci, pour désarmer quand même le système. Placez d'abord le bouton de contact en position "allumé". Dans les 15 secondes, placez le commutateur override/valet en position "allumé" et "éteint". La sirène s'arrêtera et le système sera désarmé.

2. MODE VALET

Si la moto est en fonctionnement, le mode valet permet à l'utilisateur d'outrepasser la fonction d'alarme du système. Le système ne s'armera pas.

Sélectionner : Placez le bouton de contact en position "allumé", puis placez le commutateur valet dans les 15 secondes en position "allumé". La DEL rouge s'allumera pour indiquer que le système est en mode valet et la sirène émettra 3 bips.

Quitter : Placez le bouton de contact en position "allumé", puis le commutateur valet en position "éteint". Le système quittera le mode valet.

F. ARMEMENT PASSIF

Ce système est équipé d'un circuit d'armement passif, qui fonctionne comme suit :

1. Placez le bouton de contact en position "éteint".
2. L'indicateur de statut DEL commence à clignoter rapidement et le retardeur d'armement automatique commence le compte à rebours.
3. Après 15 secondes, l'alarme est armée.

Note : Mode valet temporaire :

Lorsque le système est en mode d'armement passif (DEL clignotant rapidement), vous pouvez enfoncer deux fois le bouton II en 3 secondes sur l'émetteur pour outrepasser temporairement l'armement passif. Un bref bip sonore le confirmera. (Exemple : Lorsque vous quittez la moto pour faire le plein de carburant, vous pouvez utiliser l'émetteur à distance pour empêcher l'armement passif.)

Quitter le mode : Enfoncez le bouton I ou placez le bouton de contact en position "allumé" pour que le système quitte le mode valet temporaire.

G. ARMEMENT ACTIF

1. Appuyez sur le bouton I sur l'émetteur.
2. La sirène émettra un bip. Après 3 secondes, le système sera armé.

H. DESARMEMENT ACTIF :

1. Appuyez sur le bouton I sur l'émetteur.
2. La sirène émettra deux bips pour indiquer que l'alarme est désarmée.

DESARMEMENT APRES ALARME : Si l'alarme s'est déclenchée, la sirène émettra 4 bips et les clignoteurs clignoteront 3 fois lorsque vous la désarmez.

I. ALARME PANIQUE :

L'émetteur peut être utilisé comme bouton de secours à distance afin de déclencher l'alarme manuellement en cas d'urgence. Pour ce faire, enfoncez le bouton de l'émetteur et maintenez-le enfoncé durant plus de 3 secondes pour activer l'alarme. La sirène retentira.

Si vous souhaitez arrêter l'alarme panique, appuyez à nouveau sur l'émetteur.

J. DECLENCHEMENT DE L'ALARME :

Lorsque le système est armé, déplacez la moto et placez le bouton de contact en position "allumé" ou enclenchez le capteur optionnel. La sirène retentira et les phares s'allumeront pendant 30 secondes pour signaler l'intrusion. Ensuite, elle se remettra automatiquement à zéro et se réarmera.

NOTE : FONCTIONS D'AVERTISSEMENT :

Lorsque le détecteur de vibrations détecte un mouvement, la sirène émettra une tonalité d'avertissement pour enjoindre l'intrus de faire marche arrière. Si celui-ci continue (si le détecteur détecte plus de 3 vibrations en 20 secondes), la sirène retentira et les phares s'allumeront pour signaler l'intrusion.

K. LOCALISATION DE LA MOTO A DISTANCE :

Cette alarme est équipée d'une fonction de localisation de la moto. Enfoncez le bouton II et maintenez-le enfoncé pendant 2 secondes, la sirène émettra 1 bip et les clignoteurs clignoteront 12 fois pour que le motocycliste puisse aisément localiser la moto.

L. FONCTION D'ARMEMENT AUTOMATIQUE APRES COUPURE D'ALIMENTATION

La plupart des alarmes sont désarmées lorsque la batterie est déconnectée puis reconnectée immédiatement. Cependant, cette alarme restera armée. Cette fonction a été prévue pour empêcher les voleurs de s'emparer de votre moto en déconnectant, puis en reconnectant la batterie.

1. Lorsque le commutateur valet et le bouton de contact sont en position "éteint", reconnectez une fois l'alimentation. Le système sera armé et en fonctionnement panique.
2. Lorsque le commutateur valet est en position "allumé", reconnectez une fois l'alimentation. L'alarme émettra 3 bips. Le système sera en mode valet.
3. Lorsque le bouton de contact est en position "allumé", reconnectez une fois l'alimentation. Le système sera désarmé.

M. REMPLACEMENT DE LA BATTERIE DE L'EMETTEUR

Si la portée de votre émetteur se détériore, il se peut que la batterie doive être remplacée.

1. Desserrez les vis à l'arrière de l'émetteur et retirez la partie supérieure du boîtier de l'émetteur au moyen d'un tournevis cruciforme.
2. Retirez l'ancienne batterie de l'émetteur.
3. Placez une nouvelle batterie (12 volt) et repérez les polarités + et - dans l'espace de la batterie de l'émetteur.
4. Remplacez soigneusement la partie supérieure du boîtier de l'émetteur en veillant bien à ne pas endommager les composants à l'intérieur.
5. Resserrez la vis à l'arrière de l'émetteur.

MANUAL DEL USUARIO MA620'B
SISTEMA DE ALARMA PARA MOTOS CON MANDO A DISTANCIA

INTRODUCCIÓN

Este sistema de alarma funcionará de manera fiable durante muchos años. Sin embargo, la calidad y la duración de vida del sistema dependen de la manera de la que lo instale. Para informaciones de montaje, lea las instrucciones del manual.

PRECAUCIONES IMPORTANTES

SIEMPRE : Instale la alarma sobre una superficie seca. Manténgala alejada de grasas, partes sucias del motor y de partes próximas al tubo de escape.

SIEMPRE : Desconecte la batería antes de montar el sistema de alarma.

SIEMPRE : Verifique si no hay ningún cable u otro componente en la parte posterior de los paneles antes de taladrar.

SIEMPRE : Use materiales adecuados para manipular el cableado.

IMPORTANTE : Suelde todos los puntos de conexión que tienen una corriente eléctrica superior a 10 A.

Gracias al diseño simple es fácil instalar el sistema de alarma. No obstante, en caso de problemas, no intente realizar usted mismo ningún tipo de montaje. El montaje debe ser realizado por personal especializado.

Lea cuidadosamente las instrucciones del manual antes de montarlo.

HERRAMIENTAS	:	• Alicates para crimpar	• Taladro eléctrico & puntas
REQUERIDAS		• Alicates para pelar	• Conexiones
		• Tenazas	• Destornillador philips
		• Voltímetro	• Cinta adhesiva aislante

ESPECIFICACIONES GENERALES :

Alimentación		+ 12V & Masa negativa
Capacidad fusibles	- hilo de alimentación rojo -	3 A
	- hilo del intermitente blanco -	10 A
Consumo		Menos de 5mA en modo vigila
Tiempo de conexión		3 segundos
Temporizador de alarma		30 segundos
Entradas de disparo		Detector de encendido
		Detector opcional
		Detector de choques
Canales de recepción		3 canales
Limitaciones de programación		2 emisores

INSTALACIÓN

A. MONTAR LA SIRENA

1. Elija un lugar donde se obtenga una óptima reproducción del sonido.

Observación : Coloque la sirena horizontalmente o verticalmente hacia el sol. Evite dirigirla hacia arriba.

2. Marque y taladre dos agujeros para el montaje de la sirena.

B. MONTAR EL MÓDULO DE CONTROL :

Monte el módulo de control en la caja de almacenamiento debajo del sillón. Es posible fijarlo con cinta de Velcro o con tornillos. Fije el módulo sólidamente para que no pueda moverse ni desatarse.

OBSERVACIÓN :

1. Instale el módulo de control en un lugar seco. No lo instale donde quede expuesto a grasa, partes sucias del motor y partes próximas al tubo de escape.
2. ¡La colocación de la antena es muy importante! Asegúrese de que esté desenvuelta, bien extendida y recta. Longitud : 15cm. Coloque la antena lo más lejos posible de objetos metálicos.

C. INSTALAR EL INDICADOR LED DE ESTADO :

Deje un espacio de al mínimo 1,5cm detrás del lugar de montaje para la caja de LED. Después de haber elegido el lugar apropiado, taladre un agujero de 6mm. Pase los hilos del LED por el agujero y fije la caja de LED.

D. INSTALAR EL CONMUTADOR OVERRIDE / VALET :

Coloque el conmutador override/valet en un lugar escondido pero accesible. Taladre un agujero de 6,3mm en el lugar elegido y fije el conmutador override mediante la tuerca y la arandela de presión (incluidas). No coloque el conmutador en un lugar donde quede expuesto a grasas o donde piezas móviles puedan dañarlo.

CABLEADO

Mantenga el cableado alejado de piezas de motor móviles, de escapes y de cables de alta tensión. Proteja los hilos que pasan por la “pared cortafuego” con cinta adhesiva para evitar que se derritan. Tenga cuidado con los bordes afilados ya que podrían dañar los hilos y causar cortocircuitos.

CUIDADO : No conecte los hilos al módulo de control hasta que se hayan conectados todos los hilos del vehículo.

A. SOPORTE CON 11 HILOS

1. HILO VERDE -- ENTRADA DE DISPARO PUESTO A TIERRA --

Se puede usar este hilo para conectar otros detectores a la alarma.

2. & 3. HILO AMARILLO – CONTACTO ENCENDIDO/APAGADO --

Busque el hilo que conecta la llave del contacto a la alimentación de la bobina de encendido. Corte el hilo por la mitad y apriete el botón de encendido. Si Ud. no ha encontrado el hilo bueno el motor no arrancará. Luego, conecte el primer hilo amarillo a la primera mitad del hilo del contacto de encendido y el otro hilo amarillo a la otra mitad.

4. HILO NEGRO -- MASA DEL SISTEMA --

- Este hilo es la conexión a masa principal. Conéctelo a una parte sólida de la masa de la moto y fíjelo fuertemente al chasis.
5. **HILO GRIS -- HILO DEL CONMUTADOR OVERRIDE / VALET --**
Conecte el hilo gris a cualquier hilo del conmutador override/valet. Conecte el otro hilo del conmutador override a la masa.
 6. **HILO ROJO -- ALIMENTACIÓN DEL SISTEMA (+ 12 V CONSTANTE)**
El hilo rojo asegura la alimentación del sistema. (tensión necesaria : constante + 12V). Conéctelo a la salida de la batería.
 7. & 9. **HILOS BLANCOS -- INTERMITENTE (SALIDA 5A +12V)--**
Si se activa la alarma, estos hilos transmiten una impulsión de +12V 5A. Conecte uno de los dos hilos blancos al intermitente derecho y el otro al intermitente izquierdo.
 8. **HILO ROJO/BLANCO -- ALIMENTACIÓN INTERMITENTE --**
Este hilo es el punto "COM" del intermitente.
 10. **HILO BLANCO/NEGRO -- SALIDA DE LA SIRENA --**
Se trata de la salida positiva (+) de la sirena. Conecte este hilo al hilo rojo (+) que viene de la sirena y conecte el hilo negro (-) de la sirena a una masa del chasis.
 11. **HILO AZUL -- INDICADOR LED --**
Este hilo es el hilo de salida para la conexión del indicador de estado LED de la alarma. Conecte el hilo azul al hilo negro del indicador LED. Conecte el hilo rojo del indicador LED a una fuente +12 V constante.

B. HILO NEGRO FINO -- ANTENA RF -- :

El fino hilo NEGRO en la alarma es el hilo de la antena receptora. ¡La colocación de la antena es muy importante! Asegúrese de que esté completamente desenvuelta y bien extendida y recta. Longitud : 15cm. Coloque la antena lo más lejos posible de grandes objetos metálicos o del chasis a fin de obtener una recepción óptima. Después de la instalación, pase este hilo de la antena con los otros hilos por la protección de goma a fin de asegurar la estanquidad.

PROGRAMACIÓN Y AJUSTE

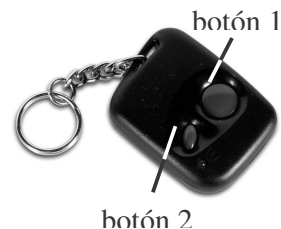
Después de haber acabado el cableado, siga los pasos para programar el mando a distancia (emisor), el conmutador selector y el detector de choques.

A. PROGRAMAR EL EMISOR :

Sólo programe los códigos del emisor después de haber instalado la alarma completamente. (máx. 4 emisores por módulo de alarma). No olvide que, durante la programación, cada paso debe realizarse dentro de los 10 segundos después del paso previo. Después de estos 10 segundos, el sistema sale automáticamente del modo de programación y la sirena emite un "bip" largo como confirmación.

SELECCIONAR EL MODO DE PROGRAMACIÓN DEL EMISOR :

1. Coloque el botón de encendido en la posición "apagado - encendido".
2. Coloque el conmutador valet 3 veces en la posición encendido/apagado". Se emitirá un bip de confirmación para indicar que el modo de programación del emisor está activado.
3. Apriete el botón I del emisor y manténgalo apretado hasta que la alarma emita un bip de confirmación. Ahora, el aparato está programado.



4. Si tiene emisores adicionales puede seguir los mismos pasos para programarlos.
 Observación : Introduciendo el primer código de emisión, se borrarán todos los códigos previos protegiendo así la alarma contra la introducción de códigos desconocidos.

SALIR DEL MODO DE PROGRAMACIÓN DEL EMISOR :

Coloque el botón de encendido en la posición "apagado" después de la programación.

B. PROGRAMAR Y PROBAR EL CONMUTADOR SELECTOR Y EL DETECTOR DE CHOQUES :

SELECCIONAR EL MODO DE PROGRAMACIÓN :

1. Coloque el botón de encendido en la posición "encendido/apagado".
2. Coloque el conmutador valet 3 veces en la posición " encendido/apagado ". Se emitirá un bip para confirmar la programación del paso 1.
3. Para pasar del paso 1 al 2, del paso 2 al 3 y del paso 3 al 4, coloque el conmutador valet en la posición "encendido/apagado" para hacer la programación.

Conmutador "encendido/apagado" tiempo	Número de Bips	Selección	Apretar el botón I con 1 bip de confirmación	Apretar el botón II con 2 bips de confirmación
Paso 1 :	1 bip	Pasivo / activo	Pasivo	Activo
Paso 2 : Conmutador valet "encendido/apagado "	2 bip	Bip "encendido / apagado"	"Encendido"	"Apagado"
Paso 3 : Conmutador valet otra vez "encendido/apagado "	3 bip	Sirena / Bocina	Sirena	Bocina
Paso 4 : Conmutador valet otra vez "encendido/apagado "	4 bip	Activar y probar el detector de choques	Salir del modo de programación del detector de choques. Almacenar la sensibilidad deseada en la memoria.	Cambiar la sensibilidad del detector de choques

PASO 1 : SELECCIONAR ACTIVACIÓN PASIVA / ACTIVA

Es posible elegir entre una activación pasiva o activa del sistema de alarma.

Si selecciona 'Encendido' (botón I), el sistema está en modo pasivo. Cada vez que deje su moto y que desconecte el contacto, el LED parpadeará rápidamente. Después de 15 segundos, el sistema se activará automáticamente.

Si selecciona "Apagado" (botón II), el sistema está en modo activo. La alarma sólo se activará si aprieta el botón de activación.

PASO 2 : SELECCIONAR LA SEÑAL ENCENDIDO/APAGADO

Si activa o desactiva el sistema, un bip sonoro indica el estado del sistema. Se puede seleccionar el bip como quiera.

Si selecciona "Encendido" (botón I), se emite(n) uno o varios bip(s) sonoro(s) activando o desactivando el sistema.

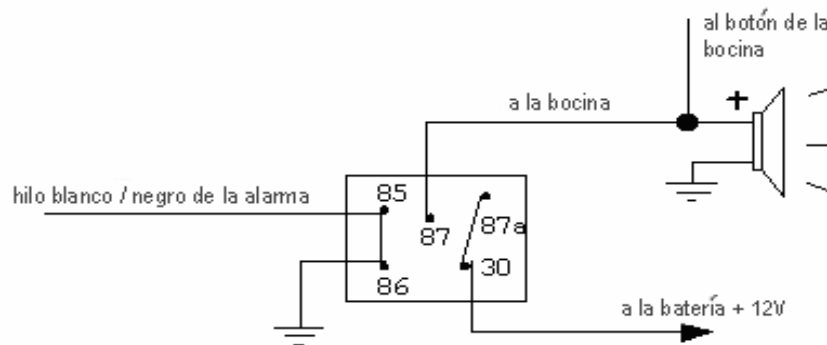
Si selecciona "Apagado" (botón II), no se emite ningún tono al activar y desactivar la alarma.

PASO 3 : SELECCIONAR SIRENA / BOCINA

Este sistema permite al usuario seleccionar la sirena o la bocina como señal de alarma.

Si selecciona "Encendido" (botón I), debe conectar el sistema a la sirena para emitir una señal avisadora acústica.

Si selecciona "Apagado" (botón II), debe conectar la bocina al sistema. En este caso, se necesita un relé opcional.



PASO 4 : AJUSTAR LA SENSIBILIDAD DEL DETECTOR DE CHOQUE

Apriete el botón II para ajustar la sensibilidad deseada. Vuelva a apretar el botón II para recorrer los 8 niveles y las 8 señales diferentes. La sensibilidad para los choques disminuye a medida que aumenta el número de señales. 1 bip significa una sensibilidad máxima, 7 bips una sensibilidad mínima, 8 bits significa la desactivación del detector de choques.

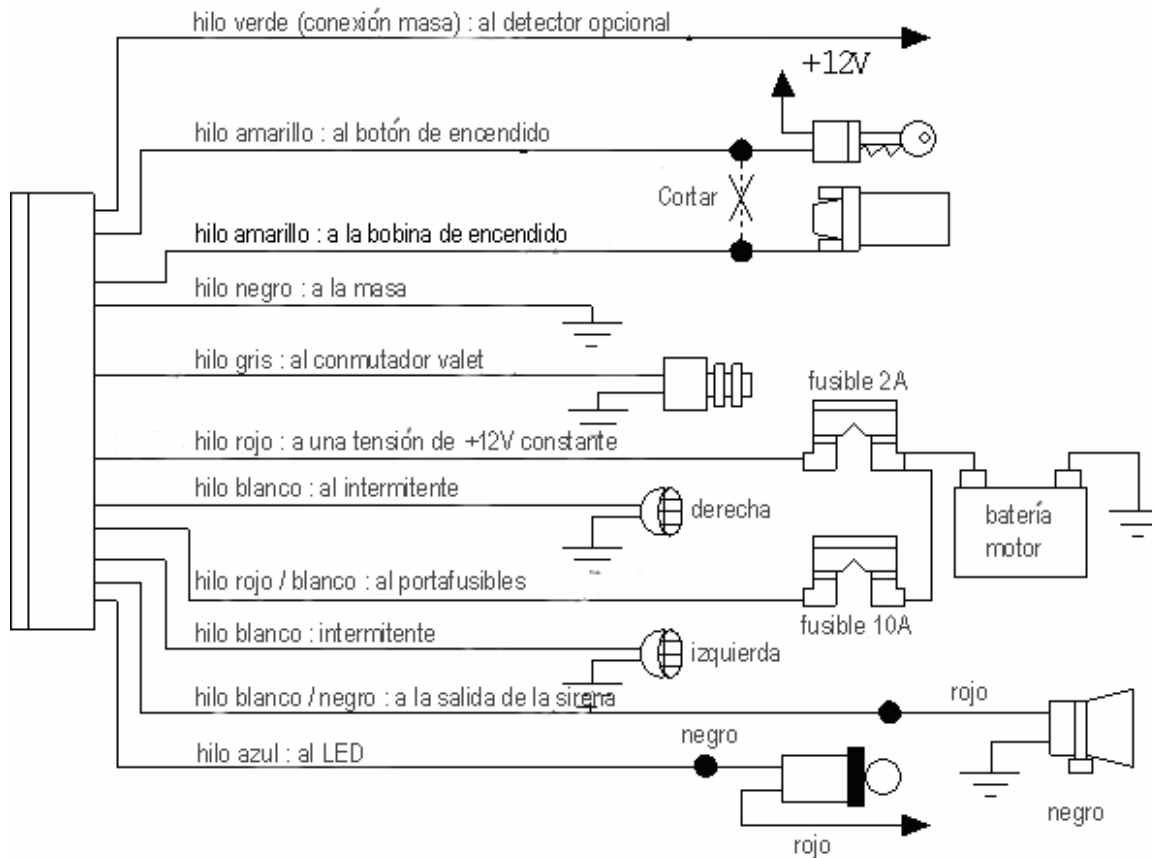
PRUEBA DE LA SENSIBILIDAD :

1. En cualquier momento, es posible pararse y probar la sensibilidad sometiendo la moto a choques. Normalmente, la alarma debería activarse.
2. Para evitar alarmas falsas, disminuya la sensibilidad. Ajuste el sistema de alarma de tal manera que continúe protegiendo su moto de manera adecuada.

SALIR DEL MODO DE PROGRAMACIÓN :

Coloque el botón de encendido en la posición "encendido/apagado" para salir del modo de programación. Si Ud. está programando el detector de choques, apriete el botón I para salir de este modo.

CABLEADO



MANUAL DEL USUARIO

A. FUNCIONAMIENTO DEL EMISOR

Botón del emisor	Función del sistema	Observación
Botón I	Activación / Desactivación	
Botón I - I	Activación y desactivación del detector de choques	Apriete dos veces en 3 segundos
Botón I	Pánico	Apriete y mantenga apretado durante 3 segundos
Botón II - I	Activación / Desactivación silenciosa	
Botón II	Localización de la moto	Apriete y mantenga apretado durante 2 segundos
Botón II - II	Modo valet	Apriete dos veces en 3 segundos

B. INDICADORES LED :

LED	Función
Apagado	Desactivado
Parpadeo lento	Activado
Parpadeo rápido	Activación pasivo
1 parpadeo ... pausa	Intrusión en el circuito de encendido
2 parpadeos ... pausa	Intrusión en el detector opcional
3 parpadeos ... pausa	Intrusión en el detector de choques

C. INDICADORES ACÚSTICAS :

Bip	Función
1 bip	Activación
2 bips	Desactivación
3 bips	Modo valet temporal
4 bips	Desactivación / Intrusión

D. INTERMITENTE :

Intermitente	Función
1 parpadeo	Activación
2 parpadeos	Desactivación
3 parpadeos	Desactivación / Intrusión

E. FUNCIÓN VALET/OVERRIDE :

1. FUNCIÓN OVERRIDE :

El conmutador override/valet se usa en caso de emergencia, como por ejemplo si pierde el emisor o si no funciona correctamente, para poder desactivar el sistema. Coloque el botón de encendido en la posición "encendido". Dentro de 15 segundos, coloque el conmutador override/valet en la posición "encendido" y "apagado". La sirena se para y el sistema se desactiva.

2. MODO VALET

Si la moto está funcionando, el modo valet permite al usuario desactivar la función de alarma temporalmente.

ENTRAR : Coloque el botón de encendido en la posición "encendido". Coloque el conmutador valet dentro de los 15 segundos en la posición "encendido". El LED rojo se ilumina para indicar que el sistema está en modo valet y la sirena emite 3 bips.

SALIR : Coloque el botón de encendido en la posición "encendido". Coloque el conmutador valet en la posición "apagado". El sistema sale del modo valet.

F. ACTIVACIÓN PASIVA

Este sistema está equipado con un circuito de activación pasiva, que funciona de la manera siguiente :

1. Coloque el botón de encendido en la posición "apagado".
2. El temporizador de alarma se activará en el momento en que el indicador de estado LED empiece a parpadear rápidamente.
3. Después de 15 segundos, la alarma está activada.

Observación : Modo valet temporal :

Si el sistema se encuentra en modo de activación pasiva (LED parpadea rápidamente), apriete el botón II del emisor dos veces dentro de 3 segundos para desconectar la activación pasiva temporalmente. Un bip audible lo confirmará. (Ejemplo : Si deje el motor para llenar el tanque, puede usar el emisor a distancia para evitar la activación pasiva.)

Salir del modo : Apriete el botón I o coloque el botón de encendido en la posición "encendido" para que el sistema salga del modo valet temporal.

G. ACTIVACIÓN ACTIVA

1. Apriete el botón I del emisor.
2. La sirena emitirá un bip. Después de 3 segundos, el sistema se activará.

H. DESACTIVACIÓN ACTIVA:

1. Apriete el botón I del emisor.
2. La sirena emitirá dos bips para indicar que la alarma está desactivada.

DESACTIVACIÓN DESPUÉS DE ALARMA : Si desactiva la alarma después de una activación, la sirena emite 4 bips y los intermitentes parpadean 3 veces al desactivarla.

I. ALARMA DE PÁNICO :

Es posible usar el emisor como botón de pánico a fin de activar la alarma manualmente en caso de emergencia. Para hacer esto, apriete el botón del emisor y manténgalo apretado durante más de 3 segundos a fin de activar la alarma. La sirena suena.

Si quiere desactivar la alarma de pánico, vuelva a apretar el emisor.

J. ACTIVAR LA ALARMA :

Si el sistema está activado, mueve la moto y coloque el botón de encendido en la posición "encendido" o active el detector opcional. La sirena suena y se iluminan los intermitentes durante 30 segundos para señalar la intrusión. Luego, la alarma se desactiva y vuelve a armarse.

OBSERVACIÓN : SEÑAL DE AVISO :

Si el detector de choques detecta un movimiento, la sirena emite una señal acústica de aviso para desalentar el intruso. Si continúa (si el detector detecta más de 3 vibraciones en 20 segundos), la sirena suena y los intermitentes se iluminan para señalar la intrusión.

K. LOCALIZAR LA MOTO A DISTANCIA :

Esta alarma está equipada de una función para localizar la moto. Apriete el botón II y manténgalo apretado durante 2 segundos. La sirena emite 1 bip y los intermitentes parpadean 12 veces para que el motociclista pueda localizar la moto fácilmente.

L. FUNCIÓN DE ACTIVACIÓN AUTOMÁTICA DESPUÉS DE UNA INTERRUPCIÓN POR FALLO DE ALIMENTACIÓN

La mayoría de las alarmas se desactiva si se desconecta y se vuelve a conectar la batería inmediatamente. No obstante, esta alarma queda activada. Esta función ha sido prevista a fin de impedir a los ladrones de robar la moto desconectando, y luego conectando la batería de nuevo.

1. El conmutador valet y el botón de encendido están en la posición "apagado". Tan pronto como se vuelva a conectar la alimentación, el sistema y la función de pánico se activarán.
2. El conmutador valet está en posición "encendido". Tan pronto como se vuelva a conectar la alimentación, la alarma emitirá 3 bips y el sistema estará en modo valet.
3. El botón de encendido está en la posición "encendido". Tan pronto como se vuelva a conectar la alimentación, el sistema estará desactivado.

M. REEMPLAZAR LA BATERÍA DEL EMISOR

Si se empeora el alcance del emisor, reemplace la batería.

1. Desatornille los tornillos en la parte posterior del emisor y quite la parte superiora de la caja del emisor con un destornillador philips.
2. Quite la pila agotada.
3. Coloque una nueva pila (12V) en el compartimiento de pilas controlando la polaridad correcta (+ y -).
4. Vuelva a colocar la tapa cuidadosamente en su lugar sin dañar los componentes.
5. Vuelva a atornillar los tornillos.



TECHNISCHE DATEN

Min. Spannungsversorgung	9VDC
Max. Spannungsversorgung	15VDC
Stromverbrauch	
aktivieren/deaktivieren	70mA
Standby	6mA
Alarm	140mA
Arbeitstemperatur	-35 °C bis +85 °C
Relaisausgang (Zündungsunterbrechung)	15A/120VAC
Feuchtigkeitsgrad	110% ohne Kondensat
Bereich	16 - 40 Meter
Ersetzen der Senderbatterie	GP23GA, V23GA
Alarmzyklus	30 Sekunden
Passiver Reaktivierungstimer	15 Sekunden
Selbstlerncode	118098 Code-Sequenzen 472392 verschiedene Codes
Ausgangslautstärke	110dB / 1m
Erschütterungssensor	elektronischer Piezo- Erschütterungssensor
Vibration	6G wiederholt
Alarmverzögerung	3 Sekunden
Sendefrequenz	433.92MHz
Kabel	1.5 Meter
Ausgang Blinklichter	10 A
Hauptsicherung (roter Draht):	3 A
Abmessungen	100x60x25mm

**BEDIENUNGSANLEITUNG MA620'B
FERNSTEUERBARE MOTORRAD-ALARMANLAGE**

EINFÜHRUNG

Dies ist ein Alarmsystem auf das Sie jahrelang vertrauen können. Je sorgfältiger Sie diese zuverlässige Alarmanlage installieren, um so größer ist die Lebensdauer. Lesen Sie diese Bedienungsanleitung vor Inbetriebnahme sorgfältig durch.

WICHTIGE SICHERHEITSHINWEISE

IMMER : Montieren Sie das Gerät immer an einer sicheren Stelle. Setzen Sie es keine Feuchtigkeit, Fett, Schmutz und Auspuffleitungen aus.

IMMER : Montieren Sie die Alarmanlage erst nachdem Sie die Batterie von der Spannungsquelle getrennt haben.

IMMER : Berücksichtigen Sie mögliche Kabel oder andere Teile, die sich eventuell hinter der Bohroberfläche befinden, ehe Sie mit dem Bohren anfangen.

IMMER : Verwenden Sie nur Standard-Drahtklemmen.

BEMERKUNG : Wenn der Strom über 10A beträgt, empfiehlt es sich, alle Anschlusspunkte zu löten.

Dank des einfachen Entwurfs können Sie die Alarmanlage selber installieren. Bitte, ziehen Sie im Zweifelsfall oder wenn Sie ungenügend Erfahrung mit Motoren haben eine Fachkraft zu Rate.

Montieren Sie die Alarmanlage erst nachdem Sie die Bedienungsanleitung sorgfältig durchgelesen haben.

ERFORDERLICHES MATERIAL:

- Abisolierzange
- Flach-/Kombinationszange
- Kneifzange
- Spannungsmesser
- Elektrische Bohrmaschine
- Fassung
- Kreuzschlitzschraubendreher
- Klebeband

TECHNISCHE DATEN :

Spannungsversorgung		+ 12 Volt & Negative Masse
Sicherungswerte	- Roter Draht -	3 A
	- Weißer Draht Blinklichter	10 A
Stromverbrauch		Weniger als 5mA Standby
Alarmverzögerung		3 Sekunden
Alarmzeit		30 Sekunden
Trigger-Schaltung		Sensor Kontaktschalter Trigger für zusätzlichen Sensor Erschütterungssensor
Empfangskanäle		3
Selbstlernende Beschränkung		2 Sender

INSTALLATION

A. INSTALLATION DER SIRENE

1. Wählen Sie eine geeignete Stelle aus um die Sirene zu montieren. Für eine optimale Klangwiedergabe muss die Sirene horizontal oder vertikal nach unten zeigen. Installieren Sie sie nie nach oben.
2. Zeichnen und bohren Sie 2 Löcher in der Wand, an der Sie die Sirene befestigen möchten.

B. BEDIENUNGSMODUL MONTIEREN

Die meist geeignete Stelle für das Modul ist die Kiste unter dem Sitz. Befestigen Sie das Modul mit Velcro oder Schrauben. Überprüfen Sie danach, ob es keine Gefahr vor Schütteln oder Loskommen des Moduls gibt.

BEMERKUNG :

1. Wählen Sie für die Montage eine möglichst trockene Stelle aus. Setzen Sie das Modul keinem Fett und Schmutz aus. Montieren Sie es nicht zu nah am Auspuff und Motor.
2. Montieren Sie die Antenne ebenfalls sorgfältig ! Strecken Sie die Antenne möglichst recht aus und fern von Metallteilen um Störungen zu vermeiden. Min. Länge der auseinandergefalteten Antenne : 15cm.

C. INSTALLATION DER LED-ANZEIGE :

Berücksichtigen Sie einen min. Raum von 1.5cm für die Aufstellung der LED. Bohren Sie ein Loch von 6mm Durchmesser in der Wand und führen Sie die Kabel durch das Loch. Drücken Sie das LED-Gehäuse in der Wand.

D. INSTALLATION DES ÜBERBRÜCKUNGSSCHALTERS :

Installieren Sie den Überbrückungsschalter auf einer verborgenen, aber erreichbaren Stelle. Bohren Sie ein Loch von 6,3 mm Durchmesser und befestigen Sie den Überbrückungsschalter mit der mitgelieferten Mutter und Muttersicherung an der Wand. Schützen Sie den Schalter vor Fett oder bewegenden Teilen.

VERDRAHTUNG

Installieren Sie die Kabel in einem sicheren Abstand von bewegenden Teilen, Auspuff und Kabeln mit hohen Spannungen. Schützen Sie die Kabel, die durch die "Brandwand" gehen mit Klebeband um Schmelzen zu vermeiden. Halten Sie die Kabel möglichst fern von scharfen, schneidenden Teilen um das Risiko auf Beschädigungen, und also auch auf Kurzschluss, zu beschränken.

ACHTUNG : Schließen Sie den Kabelbaum erst an das Bedienungsmodul an nachdem alle Kabel an den Motor angeschlossen worden sind.

A. KABELBAUM MIT 11 KABELN

1. GRÜNES KABEL – MASSE TRIGGER-EINGANG --
Dieses Kabel kann verwendet werden um andere Sensoren an den Alarm anzuschließen.
2. & 3. GELBE KABEL -- KONTAKT EIN/AUS --
Versuchen Sie, das Kabel, das den Kontaktschlüssel mit der Zündspule verbindet, zu finden. Schneiden Sie das Kabel auf der Hälfte ab und drücken Sie die Starttaste. Der Motor wird nicht starten wenn Sie das genaue Kabel gewählt haben. Verbinden Sie jetzt das erste gelbe Kabel mit der einen Hälfte und das zweite gelbe Kabel mit der anderen Hälfte des Kontaktkabels.

4. **SCHWARZES KABEL -- SYSTEMERDUNG --**
Dies ist die Haupterdung des Alarmmoduls. Verbinden Sie den Draht mit einem robusten Teil der Motorerdung und befestigen Sie ihn an das Chassis.
5. **GRAUES KABEL -- ÜBERBRÜCKUNGSSCHALTER --**
Verbinden Sie den grauen Draht mit einem beliebigen Draht des Überbrückungsschalters. Verwenden Sie das andere Kabel danach als Erdung.
6. **ROTES KABEL -- ALARM EIN/AUS (KONSTANT +12V)**
Das rote Kabel sorgt für die Spannungsversorgung (erforderliche Spannung : Verbinden Sie dieses Kabel mit einem Batterie-Ausgang von konstant + 12V.
7. & 9. **WEIßES KABEL -- BLINKER (+12V 5A AUSGANG) --**
Beim Auslösen des Alarms gibt es einen Impuls von + 12V, 5A. Verbinden Sie das eine weiße Kabel mit dem rechten Blinker und das andere weiße Kabel mit dem linken Blinker.
8. **ROTES/WEIßES KABEL -- BLINKER EIN/AUS --**
Dieses Kabel ist "COM"-Punkt der Blinker
10. **SCHWARZES/WEIßES KABEL – SIRENE-AUSGANG --**
Positiver (+) Sirene-Ausgang. Verbinden Sie dieses Kabel mit dem roten (+) Kabel der Sirene. Verwenden Sie das schwarze (-) Kabel der Sirene danach als Erdung indem Sie es am Chassis befestigen.
11. **BLAUES KABEL – LED-ANZEIGE --**
Ausgangskabel für den Anschluss der LED-Anzeige. Verbinden Sie das blaue Kabel mit dem schwarzen Kabel der LED-Anzeige. Verbinden Sie das rote Kabel der LED mit konstant +12V.

B. SCHWARZES DÜNNES KABEL -- HOCHFREQUENZANTENNE --

Das dünne SCHWARZE Kabel auf dem Alarm selber ist die Hochfrequenzantenne. Die Installation der Antenne ist sehr wichtig ! Strecken Sie die Antenne möglichst recht aus und sorgen Sie, dafür dass sie sich möglichst weit von Metallgegenständen befindet, um Störungen zu vermeiden. Min. Länge : 15 cm. Stecken Sie dieses Kabel zusammen mit den anderen Kabeln nach dem Montieren in der wasserdichten Gummikappe um Beschädigungen zu vermeiden.

PROGRAMMIEREN UND EINSTELLEN DES ALARMSYSTEMS

Nachdem alle Kabel angeschlossen worden sind, gehen Sie wie folgt vor, um die Fernbedienung, den Wählschalter und den Erschütterungssensor zu programmieren.

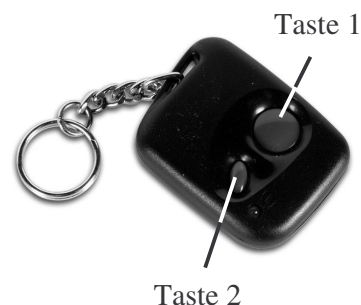
A. DIE FERNBEDIENUNG (SENDER) PROGRAMMIEREN

Programmieren Sie die Fernbedienung erst nachdem der Alarm völlig installiert ist (max. 4 Sender per Alarmmodul). Berücksichtigen Sie, dass es max. 10 Sekunden zwischen zwei Programmierschritten gibt. Wenn Sie zwischen zwei Schritten zu lange warten, schaltet das Programm sich selber nach 10 Sekunden automatisch aus. Es ertönt dann einen langen Piepton.

SENDERCODE PROGRAMMIEREN :

1. Schalten Sie den Zündschalter ein/aus.
2. Schalten Sie den Überbrückungsschalter 3 Mal hintereinander ein/aus. Sobald Sie das Signal hören, befinden Sie sich im Programmier-Modus.
3. Halten Sie Taste I gedrückt bis Sie ein Bestätigungssignal hören. Es ist programmiert.
4. Es ist auch möglich, verschiedene Codes zu programmieren. Wiederholen Sie Schritt 3 so bald wie nötig.

Bemerkung : Beim Eingeben des ersten Codes, werden alle vorigen Codes aus dem Speicher gelöscht, also auch die Codes, die ohne Ihr Wissen programmiert wurden.



ENDE SENDECODE PROGRAMMIEREN :

Schalten Sie den Zündschalter aus sobald Sie mit dem Programmieren fertig sind.

B. WÄHLSCHALTER UND ERSCHÜTTERUNGSSENSOR EINSTELLEN und TESTEN :

PROGRAMMIER-MODUS :

1. Schalten Sie den Zündschalter ein/aus.
2. Schalten Sie den Überbrückungsschalter 3 Mal hintereinander ein/aus. Gehen Sie zu Schritt 1 sobald Sie das Signal hören
3. Schalten Sie den Überbrückungsschalter ein/aus um von Schritt 1 zu Schritt 2, von Schritt 2 zu Schritt 3 und von Schritt 3 zu Schritt 4 überzugehen.

EIN/AUS-Taste Zeitpunkt	Anzahl Signale	Wählen Sie aus :	Drücken Sie Taste I mit 1 Bestätigungspiepton	Drücken Sie Taste II mit 2 Bestätigungspieptönen
Schritt 1 :	1 Piepton	Passiv/Aktiv	Passiv	Aktiv
Schritt 2 : Überbrückungsschalter ein/aus	2 Pieptöne	Signal ein/aus	Ein	Aus
Schritt 3 : Überbrückungsschalter wieder ein/aus	3 Pieptöne	Sirene / Hupe	Sirene	Hupe
Schritt 4 : Überbrückungsschalter wieder ein/aus	4 Pieptöne	Einschalten und Testen des Erschütterungs- Sensors	Programmier-Modus des Erschütterungs- Sensors verlassen. Gewünschter Empfindlichkeitsgrad wird gespeichert.	Empfindlichkeitsgrad des Erschütterungs- Sensors ändern.

SCHRITT 1 : PASSIV / AKTIV AUSWÄHLEN

Wählen Sie zwischen einer aktiven oder passiven Aktivierung des Alarms.

'EIN' (drücken Sie Taste I) bedeutet in diesem Fall, dass Sie den passiven Modus auswählen. M.a.W., die LED fängt automatisch an, zu blinken und der Alarm aktiviert sich nach 15 Sekunden automatisch sobald Sie den Motor abstellen und vom Motor absteigen.

'AUS' (drücken Sie Taste II) bedeutet, dass Sie den passiven Modus auswählen. M.a.W., der Alarm wird nur aktiviert wenn Sie die richtige Taste drücken.

SCHRITT 2 : SIGNAL EIN/AUS AUSWÄHLEN

Beim Ein- oder Ausschalten des Systems, können Sie dank des Signals hören, wie das System programmiert ist. Sie können das Signal nach Belieben aktivieren.

'EIN' (drücken Sie Taste I) bedeutet, dass Sie ein Signal beim Aktivieren/Deaktivieren hören.

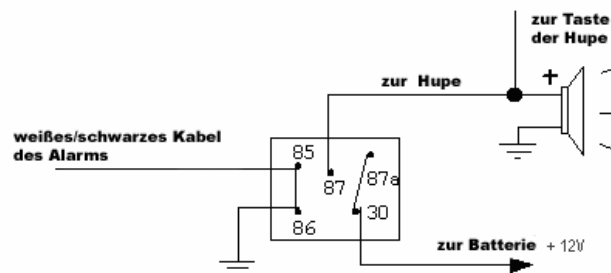
'AUS' (drücken Sie Taste II) bedeutet, dass Sie kein Signal beim Aktivieren/Deaktivieren hören.

SCHRITT 3 : SIRENE / HUPE AUSWÄHLEN

Sie können zwischen zwei verschiedenen Alarmsignalen wählen : Sirene oder Hupe.

'EIN' (drücken Sie Taste I). Schließen Sie das System an eine Sirene an um das Signal zu hören.

'AUS' (drücken Sie Taste II). Schließen Sie das System an eine Hupe an. Hierfür brauchen Sie ein zusätzliches Relais.



SCHRITT 4 : EMPFINDLICHKEIT DES ERSCHÜTTERUNGSSENSORS EINSTELLEN :

Drücken Sie Taste II um die Empfindlichkeit des Sensors einzustellen. Drücken Sie nochmals Taste II um die 8 verschiedene Empfindlichkeitsgrade und Signale wiederzugeben. Die Empfindlichkeit gegen Stöße wird kleiner, in dem Maße wie Sie die Anzahl Signale erhöhen. M.a.W. mit 1 Piepton ist die Empfindlichkeit max. ; bei 7 Pieptönen ist die Empfindlichkeit min. ; 8 Pieptöne um den Erschütterungssensor auszuschalten.

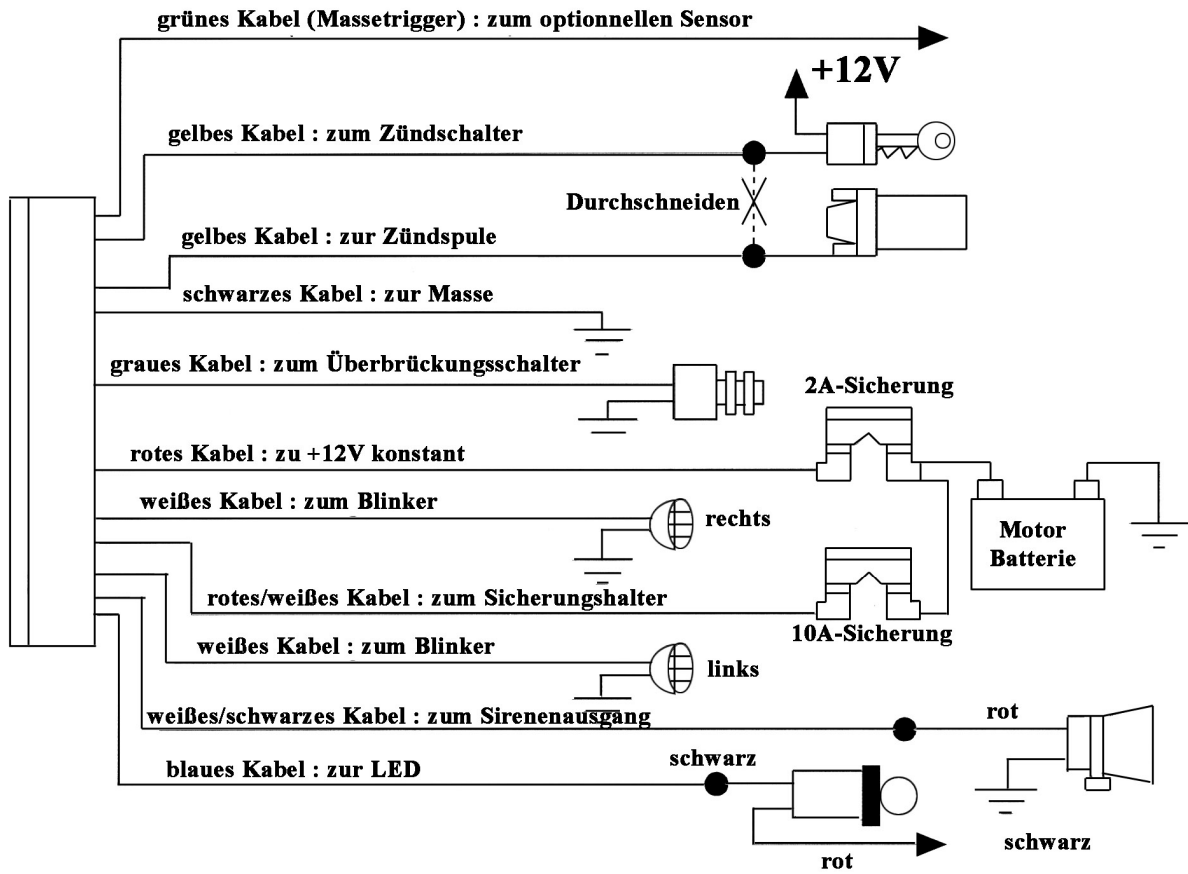
EMPFINDLICHKEITSKONTROLLE :

1. Sie können die Empfindlichkeit des Sensors zu jeder Zeit austesten indem Sie am Motor ziehen oder schieben oder wenn Sie darauf klopfen. Normalerweise sollte der Alarm aktiviert werden.
2. Sie können einen falschen Alarm vermeiden, indem Sie die Empfindlichkeit des Alarms etwas verringern. Stellen Sie das Alarmsystem so ein, dass das Motorrad vor Diebstahl geschützt bleibt.

PROGRAMMIER-MODUS VERLASSEN :

Schalten Sie den Zündschalter ein/aus um die Programmierfunktion zu verlassen oder drücken Sie Taste I während Sie den Erschütterungssensor einstellen.

VERDRÄHTUNG



BEDIENUNGSANLEITUNG

A. FERNBEDIENUNG (SENDER) :

Sendetaste	Systemfunktion	Bemerkung
Taste I	Alarm ein/aus	
Taste I - I	Alarm ein, Erschütterungssensor nicht aktiv	Taste zwei Mal innerhalb von 3 Sekunden drücken
Taste I	Panik	Taste 3 Sekunden gedrückt halten
Taste II - I	Alarm ein/aus ohne Piepton	
Taste II	Motor Erfassungssensor	Taste 2 Sekunden gedrückt halten
Taste II - II	Überbrückungsmodus	Taste zwei Mal innerhalb von 3 Sekunden drücken

B. ANZEIGE-LEDs :

LED	Funktion
Aus	Alarm ist deaktiviert
Blinkt langsam	System ist aktiviert
Blinkt schnell	Passiv aktiviert
1 x blinken ... Pause	versuchter Diebstahl durch Zündstromkreis auffangen
2 x blinken ... Pause	versuchter Diebstahl durch zusätzlichen Sensor auffangen
3 x blinken ... Pause	versuchter Diebstahl durch Erschütterungssensor auffangen

C. BEEP SIGNALLEN

Pieptöne	Funktion
1 Piepton	Alarm ist aktiviert
2 Pieptöne	Alarm ist deaktiviert
3 Pieptöne	Zeitliche Überbrückungsfunktion eingeschaltet
4 Pieptöne	Alarm ist deaktiviert / versuchter Diebstahl

D. BLINKER :

Blinker	Funktion
1 x blinken	Alarm ist aktiviert
2 x blinken	Alarm ist deaktiviert
3 x blinken	Alarm ist deaktiviert / versuchter Diebstahl

E. ÜBERBRÜCKUNGSFUNKTIONEN :

1. FUNKTION :

Der Überbrückungsschalter wird im Notfall verwendet, damit Sie den Alarm auch bei Verlust oder Defekt der Fernbedienung ein- oder ausschalten können. Schalten Sie den Zündschalter ein. Schalten Sie den Überbrückungsschalter innerhalb von 15 Sekunden ein und wieder aus, um die Sirene und das System auszuschalten.

2. FUNKTION :

Die Überbrückungsfunktion erlaubt Ihnen auch die automatische Alarmfunktion zeitlich auszuschalten wenn das Motorrad eine periodische Wartung braucht. Der Alarm wird nicht automatisch ausgelöst.

EIN : Schalten Sie den Zündschalter und, innerhalb von 15 Sekunden, den Überbrückungsschalter nacheinander EIN. Sie befinden sich im Überbrückungsmodus sobald die LED permanent leuchtet. Es ertönen 3 Signale.

AUS : Schalten Sie den Zündschalter und den Überbrückungsschalter nacheinander ein um diesen Modus zu verlassen.

F. PASSIV AKTIVIEREN :

Die Motorrad-Anlage hat eine passive Verriegelungsfunktion, die Sie wie folgt aktivieren können.

1. Schalten Sie den Zündschalter aus.
2. Der Alarm-Timer wird aktiviert sobald die LED-Anzeige anfängt zu blinken.
3. Nach 15 Sekunden Wartezeit, ist der Alarm aktiviert.

Bemerkung : Zeitlicher Überbrückungsmodus:

Wenn die passive Verriegelung aktiviert ist (LED blinkt), drücken Sie dann innerhalb von 3 Sekunden zweimal Taste II um die passive Verriegelung zeitlich auszuschalten. Sie hören einen kurzen Piepton. (z.B. wenn Sie vom Motorrad absteigen um zu tanken. Hier können Sie das System mit Hilfe der Fernbedienung in Überbrückungsmodus stellen.)

Die zeitliche Überbrückungsfunktion können Sie einfach verlassen indem Sie Taste I wieder drücken oder indem Sie den Schlüssel den Zündschalter einschalten.

G. AKTIVE AKTIVIERUNG :

1. Drücken Sie Taste I der Fernbedienung (Sender).
2. 3 Sekunden nach dem Signal ist der Alarm aktiviert.

H. AKTIVE DEAKTIVIERUNG:

1. Drücken Sie Taste I der Fernbedienung (Sender).
2. Es ertönen zwei Signale um anzuzeigen, dass das System ausgeschaltet ist.

ALARM NACH AKTIVIERUNG DEAKTIVIEREN: Wenn Sie den Alarm ausschalten nachdem er aktiviert wurde, ertönt die Sirene 4 Mal und blinken die Blinker 3 Mal.

I. PANIKFUNKTION :

Mit Hilfe der Fernbedienung können Sie den Alarm bei Gefahr manuell einschalten. In diesem Fall müssen Sie die Fernbedienungstaste länger als 3 Sekunden gedrückt halten, damit der Alarm einen Puls empfängt und die Sirene anfängt zu heulen.

Sie können die Panikfunktion wieder ausschalten indem Sie die Fernbedienungstaste wieder drücken.

J. ALARM AKTIVIEREN :

Schalten Sie die Alarmanlage ein, stellen Sie den Motor irgendwo anders hin und schalten Sie den Zündschalter oder den zusätzlichen Sensor ein. Ab diesem Moment wird die Sirene automatisch während 30 Sekunden heulen, genauso wie bei einem normalen Alarm, und werden die Blinker anfangen zu blinken. Nach diesen 30 Sekunden wird der Alarm automatisch ausgeschaltet und wieder aktiviert.

BEMERKUNG : WARNUNGSSIGNAL

Schalten Sie den Erschütterungssensor ein. Im Fall eines Diebstahls, hört der Dieb erst ein Warnungssignal. Wenn er trotzdem in der Nähe Ihres Motors bleibt (innerhalb von 20 Sekunden drei Mal der Sensor auslösen), wird die Sirene und die Blinker automatisch aktiviert.

K. SUCHFUNKTION :

Diese Alarmanlage ist mit einer Suchfunktion. Halten Sie Taste II der Fernbedienung 2 Sekunden gedrückt. Nach dem hörbaren Signal, blinken die Blinklichter automatisch 12 Mal, damit Sie Ihren Motor einfach zurückzufinden (z.B. Parkplatz).

L. EINGEBAUTE NOTSTROMVERSORGUNG :

Die meisten Alarmsysteme werden ausgeschaltet wenn der Akku kurz nacheinander aus- und wieder eingeschaltet wird. Das Alarmsystem bleibt aber aktiviert um zu vermeiden, dass Diebe das Alarmsystem ausschalten indem sie die Batterie loskoppeln und danach wieder anschließen.

1. Der Überbrückungsschalter und der Zündschalter sind 'aus'. Sobald es einen Anschluss gibt, wird das System automatisch eingeschaltet und wird die Panikfunktion aktiviert.
2. Der Überbrückungsschalter steht 'ein'. Sobald es einen Anschluss gibt, sendet der Alarm 3 Signale. Das System schaltet automatisch auf den Überbrückungsmodus um.
3. Der Zündschalter steht 'ein'. Sobald es einen Anschluss gibt, schaltet das System aus.

M. BATTERIE DER FERNBEDIENUNG ERSETZEN :

Ersetzen Sie die Batterie, wenn die Sendekraft der Fernbedienung abschwächt.

1. Drehen Sie die Schraube auf der Rückseite der Fernbedienung los und entfernen Sie die obere Klappe mit einem Kreuzschlitzschraubendreher.
2. Entfernen Sie die alte Batterie.
3. Ersetzen Sie die Batterie (12 Volt). Beachten Sie die Polarität (- und +).
4. Setzen Sie die Klappe wieder auf, ohne den Inhalt zu beschädigen.
5. Schließen und verschrauben Sie das Gehäuse sorgfältig.