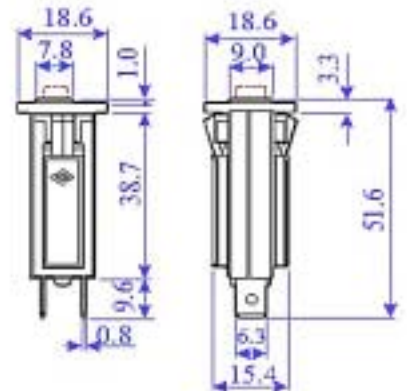


FAxx Series



DIMENSION IN mm

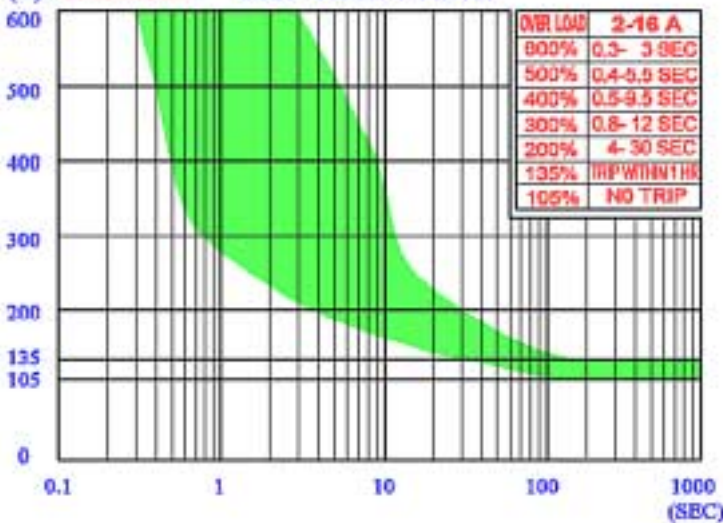
SPECIFICATIONS :

- * STANDARD RATING: 2-16 AMPERE.
- * INPUT POWER: 32 VDC / 125 VAC / 250 VAC
- * DIELECTRIC STRENGTH :1500 VAC / 1 MINUTE
- * INTERRUPT CAPACITY : 125VAC × 1000A, 250VAC × 200A.
- * RATED CONDITIONAL SHORT-CIRCUIT CURRENT : IEC-934
" PC.1 1000A "WITH" FUSE 16A gL/ gG "
- * INSULATION RESISTANCE : > 100 MΩ
- * CALIBRATION :
 - 25°C - 105% OF RATED CURRENT - CONTINUOUSLY CARRIED.
 - 25°C - BETWEEN 106% TO 134% - MAY TRIP OR NOT.
 - 25°C - 135% OF RATED CURRENT - TRIP WITHIN 1 HOUR
 - 150% OF 2 - 4A-TRIP WITHIN 1 HOUR.
 - 25°C - 200% OF RATED CURRENT - TRIP WITHIN 1 MINUTE
- * CONTACT ENDURANCE: 125VAC × 150% OF RATED CURRENT -
500 CYCLES.
- * IEC - 934 METHOD OF OPERATION : " R " = AUTOMATIC INTER-
RUPTION AND NON-AUTOMATIC (MANUAL) RESETTING.
- * IEC - 934 METHOD OF TRIPPING : " T " = THERMAL.
- * DEGREE OF TRIP - FREE BEHAVIOUR : " CYCLING TRIP - FREE "
- * RESET: MANUAL PUSH RESET

APPLICATIONS :

CSA APPROVAL : 10 - 15A 125VAC
 VDE APPROVAL : 4 - 10A 250VAC
 11 - 16A 125VAC

FAxx Series TRIP TIME CURVE



DERATING FACTOR

TEMP	2A ~ 4A	5A ~ 16A
60°C	--	×0.58
55°C	--	×0.65
50°C	--	×0.72
45°C	--	×0.77
40°C	×0.50	×0.83
35°C	×0.65	×0.88
30°C	×0.80	×0.93
25°C	×1.00	×1.00
20°C	×1.10	×1.06
15°C	×1.20	×1.11
10°C	×1.45	×1.20

(FOR REFERENCE ONLY)

MAX. INTERNAL RESISTANCE

2.0A-4.0A	0.160 Ω
4.1A-5.0A	0.120 Ω
5.1A-6.0A	0.100 Ω
6.1A-7.0A	0.075 Ω
7.1A-8.0A	0.035 Ω
8.1A-9.0A	0.020 Ω
9.1A- 12A	0.015 Ω
12.1A- 14A	0.010 Ω
14.1A- 16A	0.008 Ω